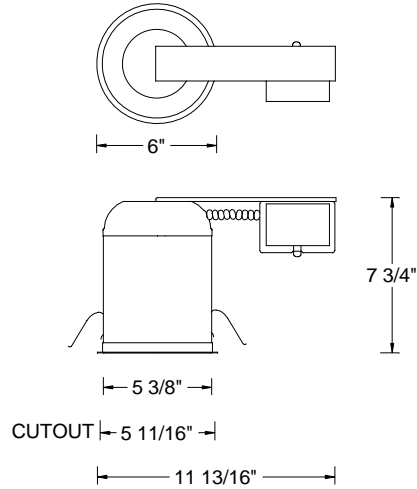


CATALOG NUMBER	TYPE
PROJECT	

5" LINE VOLTAGE DOWNLIGHTS

R-F503-R-ICA



Ordering Matrix		
Model	Installation Type	Options
[]	[]	[]
R-F503: Recessed 5 inch compact fluorescent downlights	R-Remodel Housing N-New construction	IC: IC-Rated A : Air Tight

Product Details	
Description:	Line voltage remodel housing.
Materials:	Housing is 20 gauge steel, painted white. Frame, junction box is heavy gauge galvanized steel.
Mounting:	Clips allow easy removal of housing. Accommodates surface thickness of up to 1". 5 11/16" cutout hole.
Ratings:	IC-Rated for direct contact with insulation.
J-Box:	Seven knockouts and four Romex® style wiring connectors provided for ease of installation. Rated for branch and chain wiring.
Ballast:	Rated Lamp Watts: 13W Voltage: 120V Input Current: 0.13A Input Power (ANSI Watts): 15W Minimum 2 years warranty from the manufacturer of the ballast.
Lamp:	Single compact fluorescent lamp. CFQ13W/G24q/830, 3000K CFTR13W/GX24q/830, 3000K Lamps are ordered separately.
Listing:	UL & CUL Listed. Suitable for damp locations.

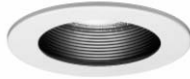
Specification Features
<ul style="list-style-type: none"> ENERGY STAR qualified. Certified Air Tight per ASTM E283. 5 year W.A.C. Lighting product warranty.

Compatible Trims

R-520 Step baffle

Finish	Baffle	Trim
BK/WT	Black	White
BN	Brushed Nickel	Brushed Nickel
BZ	Bronze	Bronze
WT/WT	White	White

Single 13W compact fluorescent lamp.



R-521 Open reflector

Finish	Reflector	Trim
CL/WT	Specular Clear	White
BN	Specular Clear	Brushed Nickel
BZ	Specular Clear	Bronze

Single 13W compact fluorescent lamp.



R-540 Scoop wall wash with step baffle

Finish	Baffle	Trim
WT/WT	White	White

Single 13W compact fluorescent lamp.



R-522 Shower Light

Finish	Trim
WT	White

Single 13W compact fluorescent lamp.



Finish Key:

BK-Black, BN-Brushed Nickel, CL-Specular Clear, WT-White, BZ- Bronze

Notes:

The full catalog number for a complete downlight includes the model numbers for both the trim and the housing. More information regarding each individual trim can be viewed on the individual trim spec sheets.