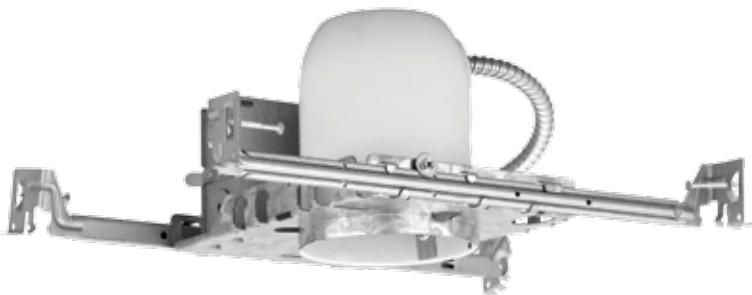


# R-400S-N-A

4" Line Voltage New Construction Housing  
120V – Non-IC – Airtight Ready

WAC LIGHTING  
Responsible Lighting®

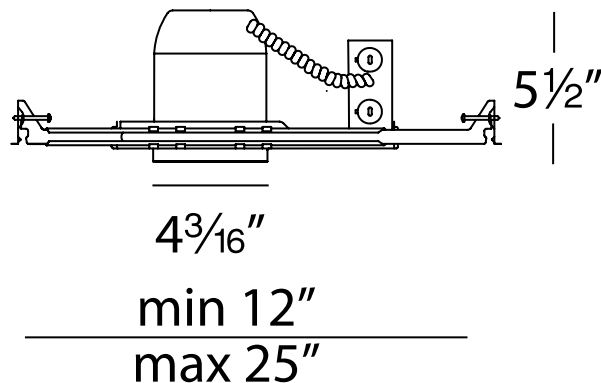


Fixture Type:

Catalog Number:

Project:

Location:



## PRODUCT DESCRIPTION

Line voltage shallow new construction housing.

## FEATURES

- Cutout: 4<sup>7</sup>/<sub>16</sub>"
- 3" clearance on all sides when insulation is present
- Thermal protector (included) protects against over-lamping
- Certified airtight per ASTM E283, when used with RGK gasket kit
- Rated for branch and chain wiring
- UL and CUL Listed
- J-Box and transformer accessible through ceiling

## ORDER NUMBER

**R-400S-N-A**

## SPECIFICATIONS

**Construction:** Housing is 20 gauge steel, painted white. Frame, junction box and hanger bars are heavy gauge galvanized steel.

**J-Box:** Seven knockouts and four Non-metallic sheathed cable style wiring connectors provided for ease of installation. Rated for branch and chain wiring.

**Mounting:** Supplied with hanger bars, adjustable from 12"-24" to accommodate various joist construction and grid sizes. Hanger bars include a captive mounting "screw-nail" for ease of installation. Accommodates surface thickness of up to 3/4".

**Rating:** Non-IC, Airtight Ready

**Standards:** UL & CUL Listed. Suitable for damp locations.

## COMPATIBLE TRIMS

Model	Description	Finish – (where there is a slash (/) the letters correspond as: interior finish/exterior finish)
R-421	Round Open Reflector Trim	Brushed Nickel (BN), Specular Clear/White (CL/WT)
R-420	Round Step Baffle Trim	Brushed Nickel (BN), Copper Bronze (CB), and White (WT/WT)
R-432	Gimbal Ring 20° Adjustment From Vertical	Brushed Nickel (BN), Copper Bronze (CB), and White (WT)
R-422	Shower Light with Glass Lens	White (WT)

See individual trim spec sheets for complete information.

## WAC Lighting

www.waclighting.com

Phone (800) 526.2588 • Fax (800) 526.2585

## Headquarters/Eastern Distribution Center

44 Harbor Park Drive • Port Washington, NY 11050

Phone (516) 515.5000 • Fax (516) 515.5050

## Western Distribution Center

1750 Archibald Avenue • Ontario, CA 91760

Phone (800) 526.2588 • Fax (800) 526.2585