

# INSTALLATION INSTRUCTIONS

## Modernism Ceiling Mount / Sconce

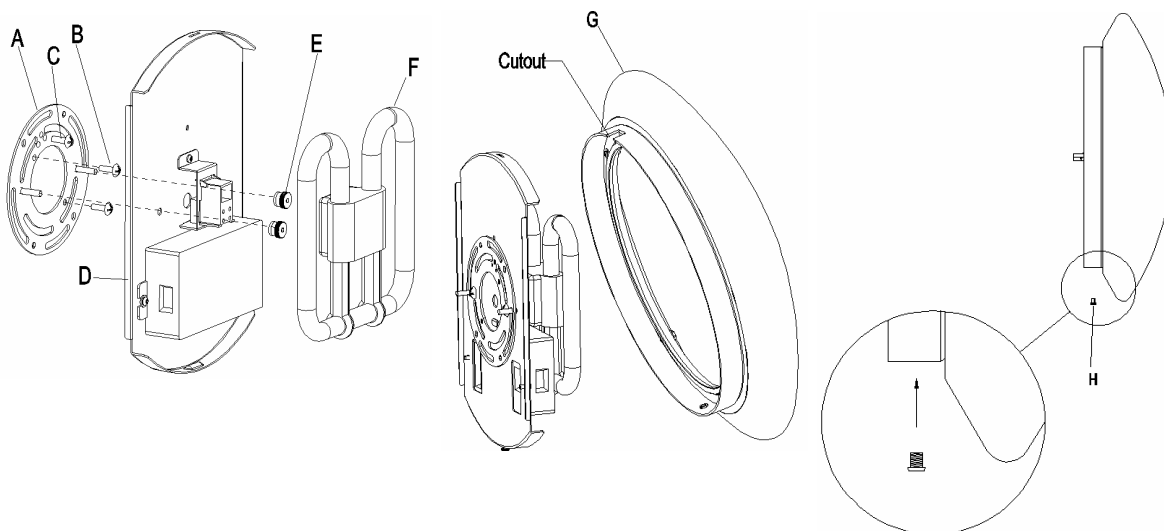
Model: OF-A12WF / OF-B12WF / OF-C12WF

### Important:

- Read all instructions before installing.
- For installation by a qualified electrician.
- System is intended for installation in accordance with National Electric Code, and local regulations. Consult with local inspector to assure compliance.
- To reduce the risk of fire, electrical shock and injuries to persons, turn off power at main switch before installing, ballast replacement, or relamping.
- Retain instructions for future maintenance reference.
- UL listed.
- Five ( 5 ) years limited product warranty (ballast is warranted for 2 year by its manufacturer).

### Hanging the Fixture

1. Carefully Remove the fixture from the carton and check that all parts are included as shown in the illustration.
2. Attach Cross bar (A) to Junction box with two screws (B). The side of the crossbar with "GND" and two convex points must face out.
3. Feed Power wire from the fixture through the center hole of Cross Bar (A). Connect fixture wires to wires in the Junction Box with wire nuts.
4. Connect ground wire to the green grounding screw (C) on the cross bar.
5. Attach Backplate (D) to cross bar and secure with two knurled nuts (E).
6. Install lamp in accordance with the fixture's specification. DO NOT EXCEED THE MAXIMUM WATTAGE RATING OF FIXTURE.
7. Install Shade (G) with Cutout towards the top of Fixture.
8. Secure Shade with Screws (H).



 **WAC LIGHTING**  
Responsible Lighting

Retain these instructions for future service and adjustments.  
615 South Street, Garden City, NY 11530  
Tel: (516) 515-5000 Fax (516) 516-5050  
[www.waclighting.com](http://www.waclighting.com)

Copyright © 2008  
08/08/08 Rev 1

## Lamp Information

Compact Fluorescent lamp: F162DT4.

## Ballast Replacement

1. Remove glass. Make sure power to unit has been shut off via circuit breaker box.
2. Cut wires to ballast as close to ballast unit as possible, insuring enough wire length for new ballast. Remove old ballast using screws securing ballast to backplate.
3. Mount new ballast to backplate using screws from original fixture.
4. Strip and insert wires into ballast following wiring diagram supplied with new ballast.
5. Install fixture following instructions above under "Hanging the Fixture"

## 5 YEAR LIMITED PRODUCT WARRANTY

**WARRANTY AND OBLIGATION:** W.A.C. warrants to the first non-dealer purchaser of any of its products that they are to be free from defects in material and workmanship for a period of five (5) years from the date of purchase. If a product is defective, W.A.C.'s obligation is expressly limited to repair or replacement, without charge, at W.A.C.'s factory after prior written return authorization has been granted. W.A.C.'s obligation under this warranty shall not extend beyond the distributor's initial purchase price of the product and accordingly any consequential damages or labor costs arising out of a defect are expressly excluded.

This warranty shall not apply to products that have been altered, improperly installed, mishandled or misused. Notice of a defect in writing must be received by W.A.C. within five (5) years from the date of purchase. Excluded from the five (5) year warranty are all light bulbs, which are warranted to perform satisfactorily to the industry standard burning hours rating, but in no event shall such warranty exceed five (5) years from the date an account purchases product that includes light bulbs from W.A.C. Also excluded from the five (5) year warranty are the Fluorescent ballasts, which have a warranty from the manufacturer of the ballast and W.A.C. will not accept any responsibility or liability on the ballasts whatsoever. **THERE ARE NO WARRANTIES WHICH EXTEND BEYOND THE DESCRIPTION ON THE FACE HEREOF INCLUDING WARRANTIES OF MERCHANTABILITY AND FITNESS FOR A PARTICULAR PURPOSE.** Contact W.A.C. for information regarding the manufacturer's warranties.



Retain these instructions for future service and adjustments.

615 South Street, Garden City, NY 11530

Tel: (516) 515-5000 Fax (516) 516-5050

[www.waclighting.com](http://www.waclighting.com)

Copyright © 2008  
08/08/08 Rev1