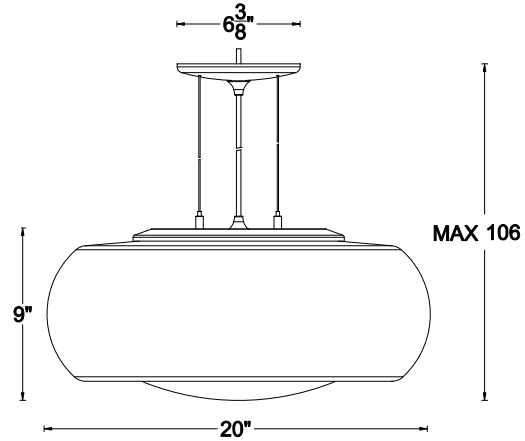


CATALOG NUMBER	TYPE
PROJECT	

MODERNISM™ PENDANT **ZEITGEIST**



Ordering Matrix

Glass Model	Glass Size	Mount Type	Socket Set Finish
-------------	------------	------------	-------------------



OF-B	14 -φ12" 17 -φ17" 20 -φ20"	PF –Pendant	BN – Brushed Nickel CH –Chrome
-------------	---	--------------------	---

Ordering Example (Model-Size-Mount-Socket Finish) : OF-B20PF-CH

Product Details	
Description:	Hand blown opal glass pendant.
Materials:	Opal Pendant consists of four parts: (1) SHADE Hand blown glass (1) OF-PL2X26 Pendant Socket set for Medium (1) LAMP 2 X 26W PL-T26W/4P CFL (1) BALLAST ADVANCE ballast :ICF-2S26-H1-LD-QS
Ballast:	Line Current : 0.47A/120V thru 0.20A/277V
(Advance) :	Input Voltage : 120-277V Power Factor : > 90% Sound Rating : A
Socket:	GX24q 4-Pin
Lamping:	CFL lamp 2 X 26W PL-T26W/4P.
Finish:	BN - Electrical plated Brushed Nickel . CH - Electrical plated Chrome.
Listing:	UL & CUL Listed. Energy Star Recognized.

Specification Features
<ul style="list-style-type: none"> ● Oversized thick opal glass with clean design, and even illumination with no hot spots ● Pendants feature quick connection, ball bearing cable grips to ensure even hanging and easy adjustment. ● Energy Star fixture and lamp life lasting more than 10000 hours. ● 5 year product warranty and 2 year included ballast warranty.