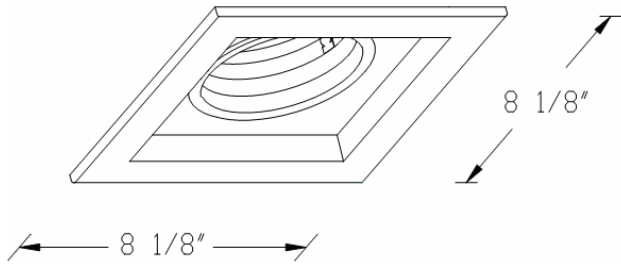


<u>CATALOG NUMBER</u>	<u>TYPE</u>
<u>PROJECT</u>	

MULTIPLE SPOTS **MT-130**



Ordering Matrix

Series	Model Number	Finish
--------	--------------	--------

<input style="width: 100%; height: 20px;" type="text"/>	<input style="width: 100%; height: 20px;" type="text"/>	<input style="width: 100%; height: 20px;" type="text"/>
MT: Multiple Spots	130: 1 X PAR30 Lamp	WT/WT WT/BK

Ordering Example (series – model number – Finish): MT-130-WT/WT

Product Details	
Description:	Gimbal ring style adjustable trim for use with MT-130HS housings. Use in new construction or suspended ceilings.
Materials:	Durable stamped metal construction.
Aiming:	Lamp holder allows the lamp to be tilted to 25° from nadir. All lamps have horizontal aiming to 358°.
Lamping:	120 volt PAR30 lamp, up to 75W max. Lamps are sold separately.
Finish:	Abrasion resistant powder coat painted finish. WT/BK=Black baffle with White trim. WT/WT=White baffle with White trim
Listing:	UL & CUL Listed. Suitable for damp locations.

Specification Features
<ul style="list-style-type: none"> Two torsion springs allow trims to be taken from housing expediently. 5 years WAC Lighting product warranty.

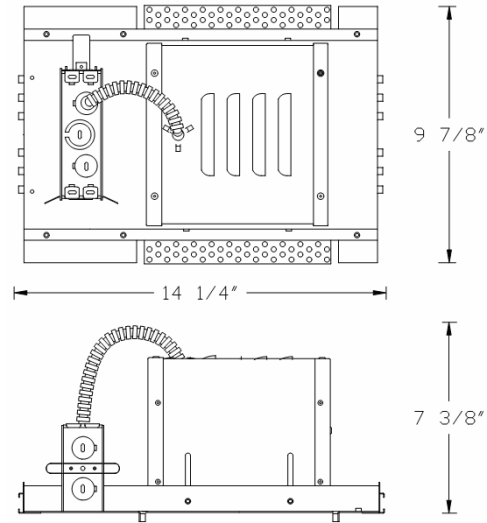
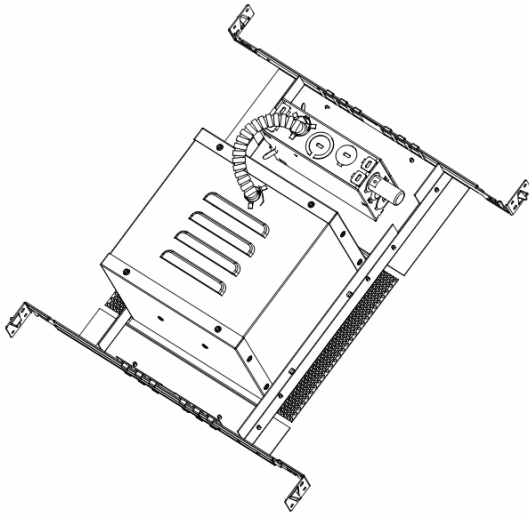
Compatible Housings (Sold Separately)	
<p>MT-130HS</p> <p>Non IC</p> <p>New construction housing</p> <p>Lamp: PAR30, 75W max</p>	

Note: The full catalog number for a complete downlight includes the model numbers for both the trim and the housing.

CATALOG NUMBER	TYPE
PROJECT	

MULTIPLE SPOTS

MT-130HS



Ordering Matrix

Series	Model Number	Trim
[]	[]	[]
MT: Multiple Spots	130: 1 X PAR30 Lamp HS : Housing	See page two

Ordering Example (series – model number + trim):MT-130HS + MT-130-WT/WT

Product Details

Description:	Line voltage new construction multiple spots.
Materials:	Housing and halftones are aluminium. Frame, junction box and hanger bars are all heavy gauge galvanized steel.
Mounting:	Supplied with hanger bars, adjustable from 12" to 24" to accommodate various joist construction and grid sizes. Accommodates surface thickness of 1/2" to 1". 7 5/8" x 7 5/8" cutout for trimless application. 7 3/16" X 7 3/16" cutout for trim application.
Ratings:	Non-IC rated. Insulation must be kept at least 3" away from the housing.
J-Box:	Seven knockouts and four non-metallic sheathed wiring connectors provided for ease of installation. Rated for branch and chain wiring.
Lamps:	120 volt PAR30 lamps, up to 75W max Input Voltage: 120V PAR30 lamps are sold separately.
Thermal Protection:	Thermal protection provided to guard against overheating and misuse of insulation over and around fixture.
Listing:	UL & CUL Listed. Suitable for damp locations.

Specification Features

- Individual adjustable lighting elements offered with minimal extension below the ceiling plane.
- Junction box is accessible from below the ceiling.
- Spring loaded j-box door for easy access to wiring.
- 5 years WAC Lighting product warranty.

Compatible Trims (Sold Separately)

MT-130 Step baffle

Finish	Trim	Baffle
WT/BK	White	Black
WT/WT	White	White

One 75W max PAR30 lamp.



MT-130TL Step baffle

Finish	Trim	Baffle
WT	White	White

One 75W max PAR30 lamp.



Finish Key:

BK-Black, WT-White

Notes:

The full catalog number for a complete multiple spots includes the model numbers for both the trim and the housing. More information regarding each individual trim can be viewed on the individual trim spec sheets.