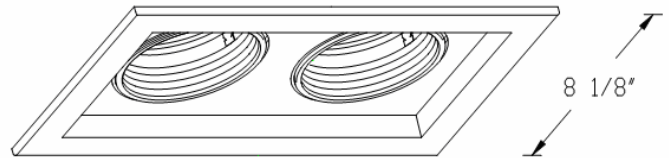


<u>CATALOG NUMBER</u>	<u>TYPE</u>
<u>PROJECT</u>	

**MULTIPLE SPOTS** MT-230



← 14 7/8" →

**Ordering Matrix**

Series	Model Number	Finish
--------	--------------	--------




MT: Multiple Spots	230: 2 X PAR30 Lamps	WT/WT      WT/BK
--------------------	----------------------	------------------

Ordering Example (series – model number – Finish): MT-230-WT/WT

Product Details	
<b>Description:</b>	Gimbal ring style adjustable trim for use with MT-230HS housings. Use in new construction or suspended ceilings.
<b>Materials:</b>	Durable stamped metal construction.
<b>Aiming:</b>	Lamp holder allows the lamp to be tilted to 25° from nadir. All lamps have horizontal aiming to 358°.
<b>Lamping:</b>	120 volt PAR30 lamp, up to 75W max. Lamps are sold separately.
<b>Finish:</b>	Abrasion resistant powder coat painted finish. WT/BK=Black baffle with White trim. WT/WT=White baffle with White trim
<b>Listing:</b>	UL & CUL Listed. Suitable for damp locations.

Specification Features
<ul style="list-style-type: none"> <li>Two torsion springs allow trims to be taken from housing expediently.</li> <li>5 years WAC Lighting product warranty.</li> </ul>

**Compatible Housings (Sold Separately)**

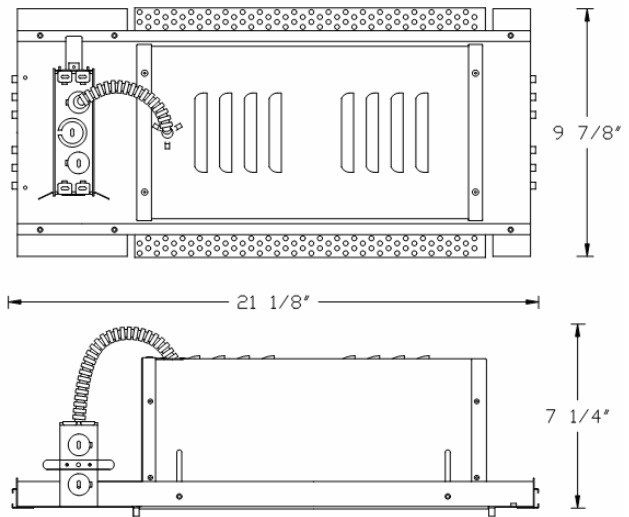
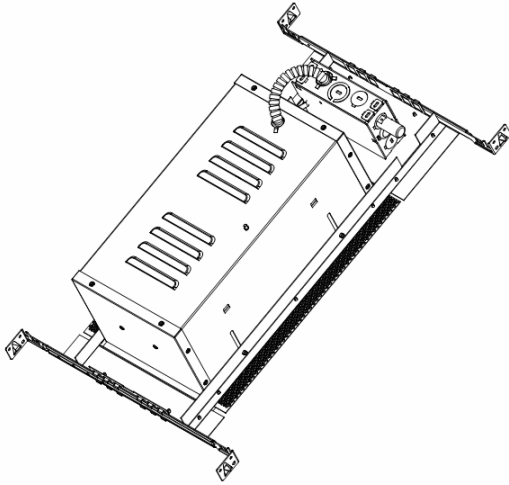
<p>MT-230HS</p> <p>Non IC</p> <p>New construction housing</p> <p>Lamp: PAR30, 75W max</p>	
---	--

**Note: The full catalog number for a complete downlight includes the model numbers for both the trim and the housing.**

<u>CATALOG NUMBER</u>	<u>TYPE</u>
<u>PROJECT</u>	

**MULTIPLE SPOTS**

**MT-230HS**



**Ordering Matrix**

Series	Model Number	Trim
[ ]	[ ]	[ ]
MT: Multiple Spots	230: 2 X PAR30 Lamps HS : Housing	See page two

Ordering Example (series – model number + trim):MT-230HS + MT-230-WT/WT

**Product Details**

<b>Description:</b>	Line voltage new construction multiple spots.
<b>Materials:</b>	Housing and halftones are aluminium. Frame, junction box and hanger bars are all heavy gauge galvanized steel.
<b>Mounting:</b>	Supplied with hanger bars, adjustable from 12" to 24" to accommodate various joist construction and grid sizes. Accommodates surface thickness of 1/2" to 1". 7 5/8" x 14 7/16" cutout for trimless application. 7 3/16" X 13 15/16" cutout for trim application.
<b>Ratings:</b>	Non-IC rated. Insulation must be kept at least 3" away from the housing.
<b>J-Box:</b>	Seven knockouts and four Non-metallic sheathed cable connectors provided for ease of installation. Rated for branch and chain wiring.
<b>Lamp:</b>	120 volt PAR30 lamps, up to 75W max Input Voltage: 120V PAR30 lamps are sold separately.
<b>Thermal Protection:</b>	Thermal protection provided to guard against overheating and misuse of insulation over and around fixture.
<b>Listing:</b>	UL & CUL Listed. Suitable for damp locations.

**Specification Features**

- Individual adjustable lighting elements offered with minimal extension below the ceiling plane.
- Junction box is accessible from below the ceiling.
- Spring loaded j-box door for easy access to wiring.
- 5 years WAC Lighting product warranty.

**Compatible Trims (Sold Separately)**

**MT-230 Step baffle**

Finish	Trim	Baffle
WT/BK	White	Black
WT/WT	White	White

Two 75W max PAR30 lamps.



**MT-230TL Step baffle**

Finish	Trim	Baffle
WT	White	White

Two 75W max PAR30 lamps.



Finish Key:  
BK-Black, WT-White

**Notes:**

The full catalog number for a complete multiple spots includes the model numbers for both the trim and the housing. More information regarding each individual trim can be viewed on the individual trim spec sheets.