

# INSTRUCTIONS: Line Voltage Track Fixture

## Model: HTK-793, HTK-794, HTK-795

### Caution:

Read all instructions before installing.

Switch off power before installing or re-lamping.

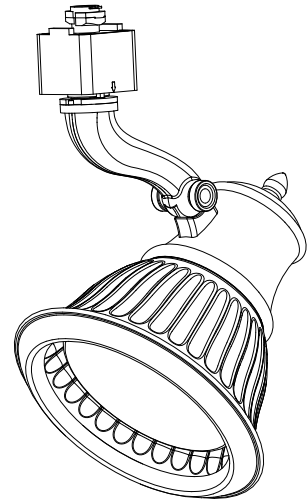
All installation shall be in accordance with NEC and all local codes.

### Overview:

Fixtures are designed for use on "H" series WAC Lighting track. They may also be used on other manufacturer's brand of track (consult factory for compatibility).

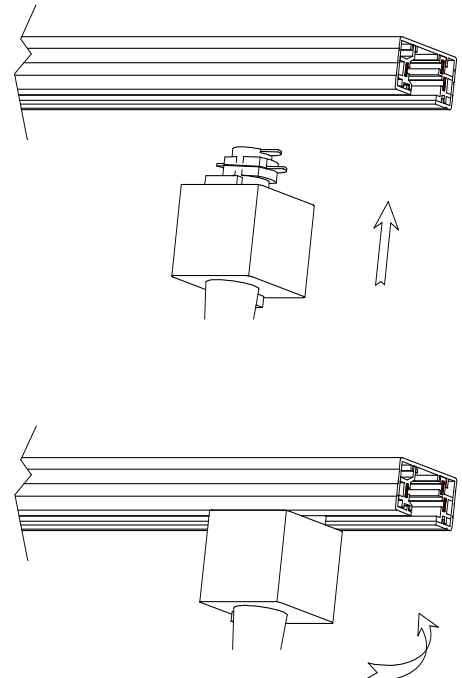
### Lamping:

1. HTK-793 use PAR 20 lamp, 50W max.  
HTK-794 use PAR 30 lamp, 75W max.  
HTK-795 use PAR 38 lamp, 150W max.
2. Insert the PAR lamp by screwing clockwise into lamp socket.



### Installing on Track:

1. Note the track head contacts, and the polarity groove running the length of the track.
2. The two contacts should be positioned so that when rotated, they will face the grooved side of the track (this is the side with two flat copper wires running its length).
3. Insert adapter into track slot. Pull downward on the adapter while rotating the adapter 90°.
4. Release the adapter so the locking tab seats in the track slot.
5. Removal is the reverse procedure. Track heads may be positioned anywhere along the track length.
6. Not suitable for use on wall mounted track.



Retain instructions for future reference.

# INSTRUCTIONS: Line Voltage Track Fixture

## Model: LTK-793, LTK-794, LTK-795

### Caution:

Read all instructions before installing.

Switch off power before installing or re-lamping.

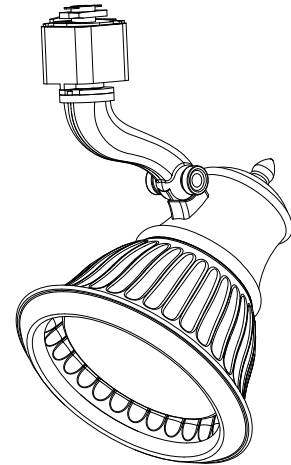
All installation shall be in accordance with NEC and all local codes.

### Overview:

Fixtures are designed for use on "L" series WAC Lighting track. They may also be used on other manufacturer's brand of track (consult factory for compatibility).

### Lamping:

1. LTK-793 use PAR 20 lamp, 50W max.  
LTK-794 use PAR 30 lamp, 75W max.  
LTK-795 use PAR 38 lamp, 150Wmax.
2. Insert the PAR lamp by screwing clockwise into lamp socket.

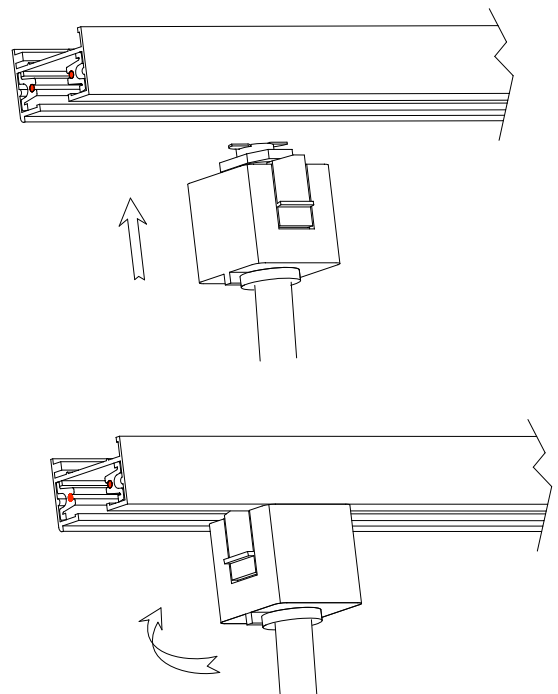


### Installing Fixtures:

1. Note the track has a ridge running it's length to indicate polarity.
2. Note the angled edge of the locking tab.
3. Insert adapter into track slot and rotate it 90 ° so that the low side of the locking tab faces the ridged side of the track.
4. Make sure the locking tab seats in the track slot.
5. Removal is the reverse procedure. Track heads may be positioned anywhere along the track length.

**Note:** "L" series track accepts only WAC track heads.

Retain instructions for future reference.



# INSTRUCTIONS: Line Voltage Track Fixture

## Model: JTK-793, JTK-794, JTK-795

### Caution:

Read all instructions before installing.

Switch off power before installing or re-lamping.

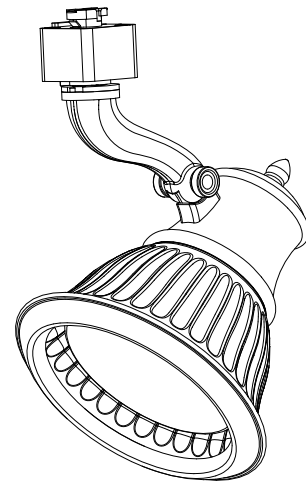
All installation shall be in accordance with NEC and all local codes.

### Overview:

Fixtures are designed for use on "J" and "J2" series WAC Lighting tracks. They may also be used on other manufacturer's brand of track (consult factory for compatibility).

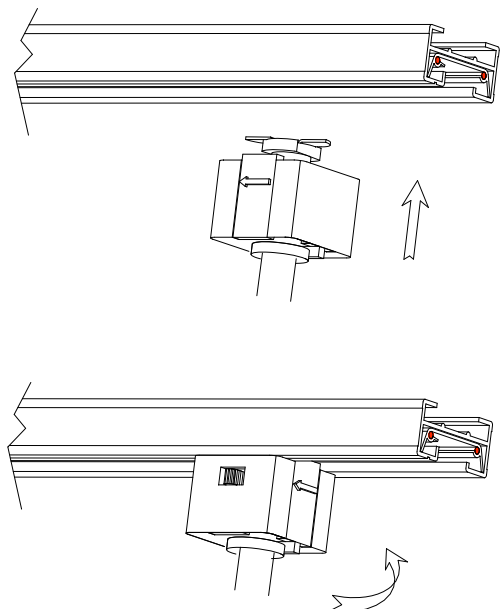
### Lamping:

1. JTK-793 use PAR 20 lamp, 50W max.  
JTK-794 use PAR 30 lamp, 75W max.  
JTK-795 use PAR 38 lamp, 150Wmax.
2. Insert the PAR lamp by screwing clockwise into lamp socket.



### Fixture Installation

1. Note the track has a groove running its length to indicate polarity.
2. Note the arrow on the locking tab.
3. Insert adapter into track slot and rotate it 90°. The arrow should point to the grooved side of the track.
4. Make sure the locking tab seats in the track slot.
5. Removal is the reverse procedure. Track heads may be positioned anywhere along the track length.



Retain instructions for future reference.