

## INSTRUCTIONS: Track Fixture Model: HHT-886, HHT-886L

### Caution:

Read all instructions before installing.  
Switch off power before installing or re-lamping.  
All installation shall be in accordance with NEC and all local codes.

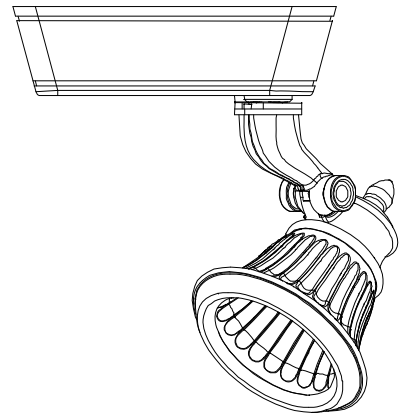
### Overview:

Fixtures are designed for use on "H" series WAC Lighting track. They may also be used on other manufacturer's brand of track (consult factory for compatibility).

### Lamping:

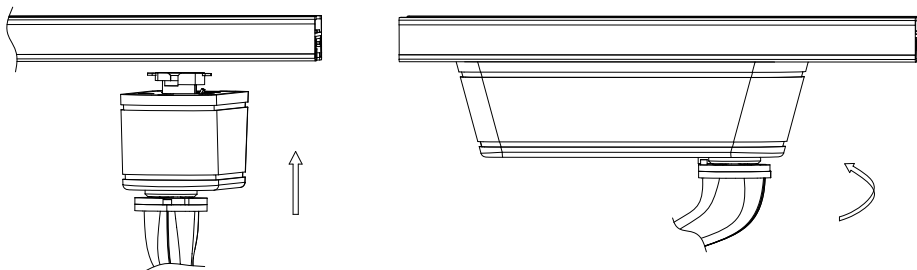
HHT-886 uses a 12v MR16G lamp, 50watt max.  
HHT-886L uses a 12v MR16G lamp, 75watt max.

1. Look through the open side of the fixture and align the pins of the lamp with the holes in the socket.
2. Gently push the front edges of the lamp until you feel it seat in the socket holes.



### Installing on Track:

1. Note the track head contacts, and the polarity groove running the length of the track.
2. The two contacts should be positioned so that when rotated, they will face the grooved side of the track (this is the side with two flat copper wires running its length).
3. Insert adapter into track slot. Rotate the adapter 90°.
4. Center the locking tab until it seats in the track slot.
5. Removal is the reverse procedure. Tracks may be positioned anywhere along the track length.
6. Not suitable for use on wall mounted track.



## INSTRUCTIONS: Track Fixture Model: LHT-886, LHT-886L

### Caution:

Read all instructions before installing.  
Do not attempt to energize anything other than a track light fixture.  
All installation shall be in accordance with NEC and all local codes.

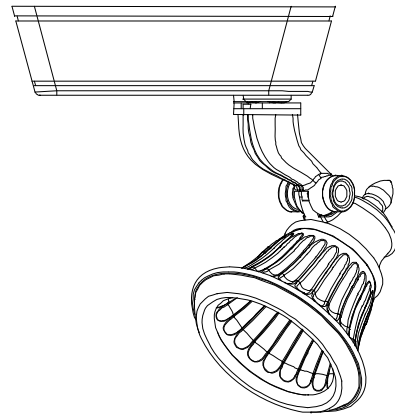
### Overview:

Fixtures are designed for use on "L" series WAC Lighting track. They may also be used on other manufacturer's brand of track (consult factory for compatibility).

### Lamping:

LHT-886 uses a 12v MR16G lamp, 50watt max.  
LHT-886L uses a 12v MR16G lamp, 75watt max

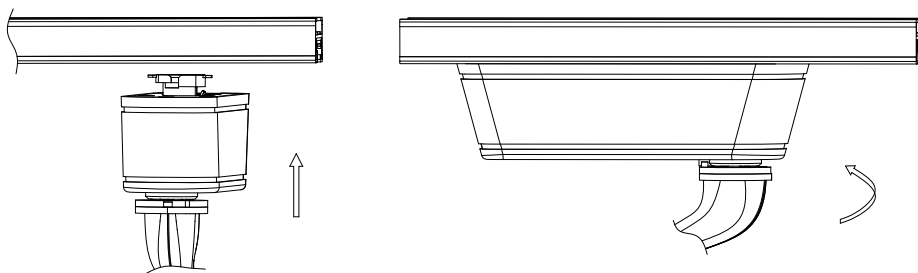
1. Look through the open side of the fixture and align the pins of the lamp with the holes in the socket.
2. Gently push the front edges of the lamp until you feel it seat in the socket holes.



### Installing Fixtures:

1. Note the track has a ridge running its length to indicate polarity.
2. Note the slant of the locking tab.
3. Insert adapter into track channel and rotate it 90° so that the low side of the locking tab faces the ridged side of the track.
4. Make sure the locking tab seats in the track channel.
5. Removal is the reverse procedure. Track heads may be positioned anywhere along the length of track.

**Note:** "L" series track accepts only W.A.C. track heads.



## INSTRUCTIONS: Track Fixture

### Model: JHT-886, JHT-886L

#### Caution:

Read all instructions before installing.

Switch off power before installing or re-lamping.

All installation shall be in accordance with NEC and all local codes.

#### Overview:

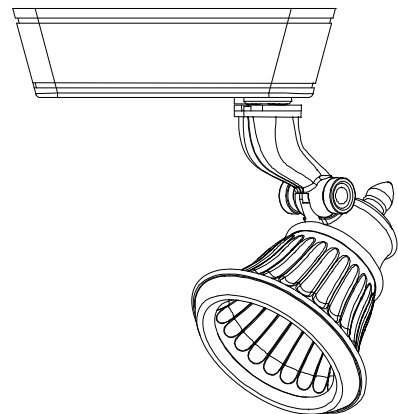
Fixtures are designed for use on "J" and "J2" series WAC Lighting tracks. They may also be used on other manufacturer's brand of track (consult factory for compatibility).

#### Lamping:

JHT-886 uses a 12v MR16G lamp, 50watt max.

JHT-886L uses a 12v MR16G lamp, 75watt max

1. Look through the open side of the fixture and align the pins of the lamp with the holes in the socket.
2. Gently push the front edges of the lamp until you feel it seat in the socket holes.



#### Fixture Installation:

1. Note the track has a groove running its length to indicate polarity.
2. Note the arrow on the locking tab.
3. Insert adapter into track slot and rotate it 90°. The arrow should point to the grooved side of the track.
4. Make sure the locking tab seats in the track slot.
5. Removal is the reverse procedure. Track heads may be positioned anywhere along the track length.

