

INSTALLATION INSTRUCTION  
**InvisiLED® Palette Outdoor 24V**  
LED-TCO

WAC LIGHTING  
Responsible Lighting®

**SAFETY INSTRUCTION**

- Read all instructions before installing.
- Always turn off power at fuse box prior to installation to prevent electrical shock.
- Intended for out door use, damp and wet locations are permitted.
- For installation by a qualified electrician.
- System is intended for installation in accordance with National Electric Code, and local regulations.

**INVISILED™ PALETTE OUTDOOR** Tape Lights have polarity for connection.

- Determine the installation area and material, based on different mounting materials (wood or concrete), different mounting accessories will be needed.

**WIRING AND INSTALLATION:**

Please refer to installation diagrams shown on next page.

1. Determine the number of separately powered runs needed. Calculate the number of power supplies.

Min. / max. run length	1ft / 40ft per run
Current	100 mA/ft
Power consumption	2.0 Watts/ft

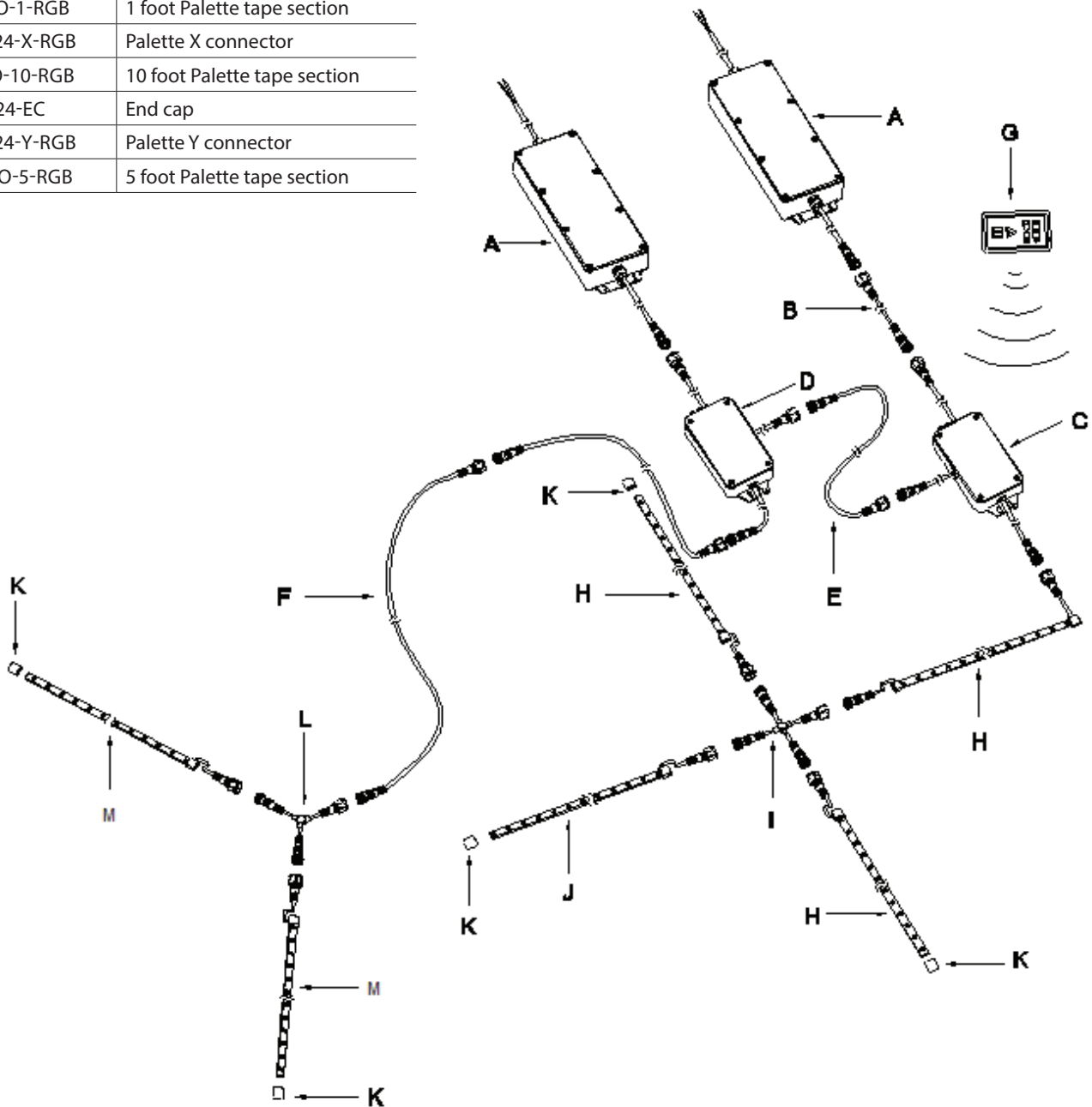
2. Measure the length of each run and round it off to the nearest 1 foot interval. Determine the necessary quantities of 1ft, 5ft, and 10ft sections.
3. Count the number turns in the runs in order to determine the number of X-RGB, and Y-RGB connectors.
4. If making lateral turns at angles other than 90°, determine the number of joiner cables necessary to make the lateral adjustment.
5. Connect to incoming 120V supply.
  - Hard Wire*
    - Power supply is IP67 rated for damp and wet locations. The power supply should be installed accessible for service
    - Connect building wires to like color power supply wires with wire nuts in the outdoor junction box. Building ground wire may be green or un-insulated, and attaches to green wire from power supply box.
  - Portable*
    - Power supply is IP67 rated for damp and wet locations.
    - 24 Volts power supply plugs into standard 120 Volts 3 prong grounded outdoor outlet
    - Power supply should be installed accessible for service
6. Connect the output female connector of the power supply with the male connector of the outdoor Controller, to form straight lines or turns around the installation surface.
7. Connect the female connector of the outdoor Controller with the male connector of the outdoor RGB tape
8. Connect the signal female connector of the outdoor master controller with the signal male connector of the signal wires
9. End caps of each InvisiLED can be connected together to form a straight run.
10. Terminate each separately powered run with an end cap. Install the end cap with silicon for water tight.

**INSTALLATION INSTRUCTION**  
**InvisiLED® Palette Outdoor 24V**  
 LED-TCO

**WAC LIGHTING**  
 Responsible Lighting®

**SAMPLE LAYOUT**

A EN-O24100-RB2-T	Remote power supply
B LED-TO24-IC6	Joiner cable
C LED-TO24-CM	Master controller
D LED-TO24-CS	Slave controller
E LED-TO24-SW60	Palette signal wire
F LED-TO24-IC72-RGB	RGB Joiner cable
G LED-TO24-WS	Palette wireless controller
H LED-TCO-1-RGB	1 foot Palette tape section
I LED-TO24-X-RGB	Palette X connector
J LED-TCO-10-RGB	10 foot Palette tape section
K LED-TO24-EC	End cap
L LED-TO24-Y-RGB	Palette Y connector
M LED-TCO-5-RGB	5 foot Palette tape section



**WAC Lighting**  
 www.waclighting.com  
 Phone (800) 526.2588 • Fax (800) 526.2585

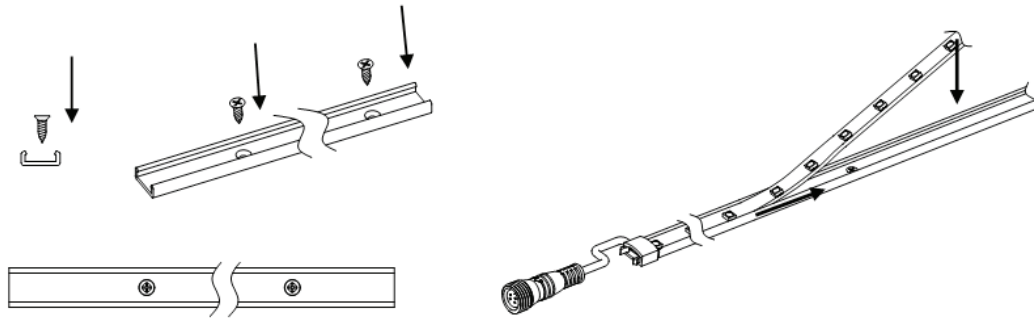
**Headquarters/Eastern Distribution Center**  
 44 Harbor Park Drive • Port Washington, NY 11050  
 Phone (516) 515.5000 • Fax (516) 515.5050

**Western Distribution Center**  
 1750 Archibald Ave • Ontario, CA 91761  
 Phone (800) 526.2588 • Fax (800) 526.2585

INSTALLATION INSTRUCTION  
**InvisiLED® Palette Outdoor 24V**  
LED-TCO

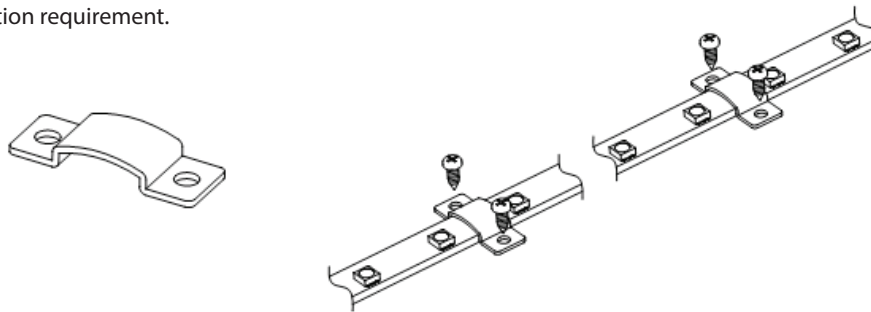
WAC LIGHTING  
Responsible Lighting®

**A. USING INSTALLATION CHANNEL** - flat surface, exaple: wood



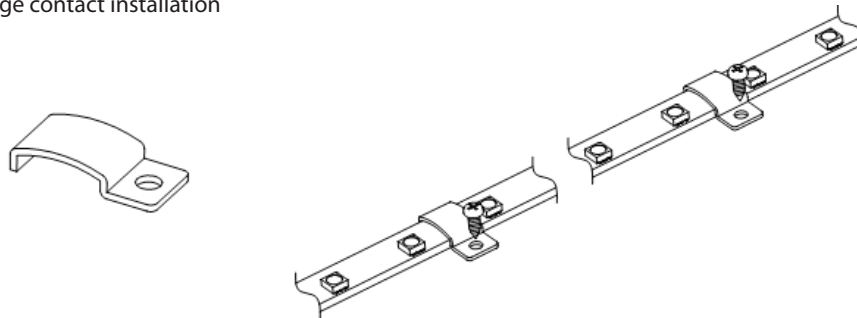
**B. USING CLIP 1**

- Suitable for non-flat installation surface, wood or concrete.
- Installation surface have space for the two mounting screw holes.
- No edge contact installation requirement.



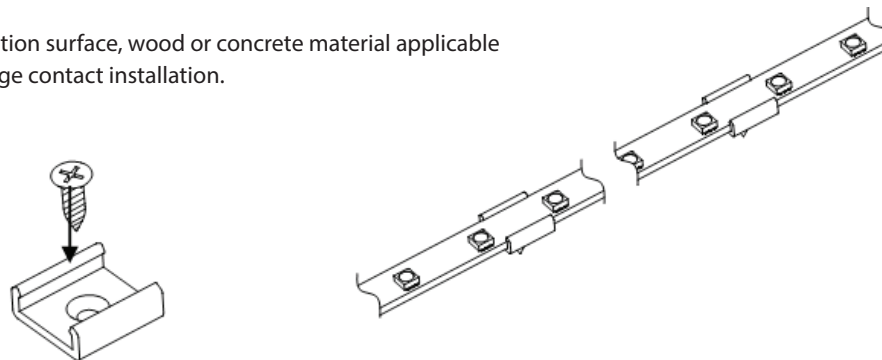
**C. USING CLIP 2**

- Suitable for non-flat installation surface, wood or concrete material applicable
- Suitable for single tape edge contact installation



**D. Using Clip 3**

- Suitable for non-flat installation surface, wood or concrete material applicable
- Suitable for double tape edge contact installation.



WAC Lighting  
www.waclighting.com  
Phone (800) 526.2588 • Fax (800) 526.2585

Headquarters/Eastern Distribution Center  
44 Harbor Park Drive • Port Washington, NY 11050  
Phone (516) 515.5000 • Fax (516) 515.5050

Western Distribution Center  
1750 Archibald Ave • Ontario, CA 91761  
Phone (800) 526.2588 • Fax (800) 526.2585