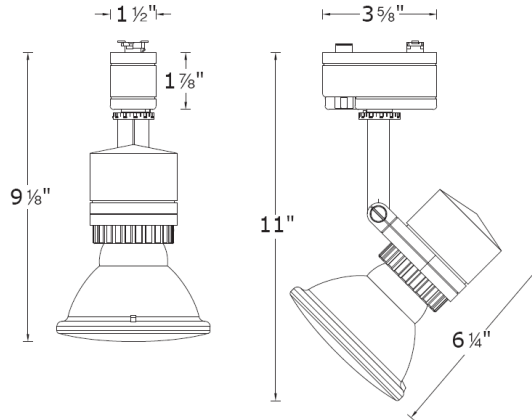


<b>CATALOG NUMBER</b>	<b>TYPE</b>
<b>PROJECT</b>	

**PRECISION SPOT – LINE VOLTAGE TRACK HEAD**

**SERIES 733**



**Ordering Matrix**

Model	Finish
[ ]	[ ]
JTK-733	BK WT BK/PT

Ordering Example (*model – finish*): JTK-733-BK

**Product Details**

**Description:** Precision Spot series line voltage track heads using PAR38 lamps. Designed for use with WAC and W2. J & J2 series track. In addition they may fit other manufacturer's original track (consult factory for specific brands).

**Materials:** Die-cast aluminum fixture. Heavy gauge aiming screws painted to match fixture finish.

**Socket:** Medium base 250V porcelain socket with nickel-plated copper screw shell.

**Aiming:** 350° horizontal rotation and 90° vertical aiming with built-in degree scales on fixture. Two aiming screws (one on each side of fixture) allow for locking fixture aiming angle.

**Lamping:** Re-lamps from the front using medium base PAR38 lamps, 150W max.

**Finish:** Abrasion resistant paint finish. Available in Black (BK), White (WT), and Black on Platinum (BK/PT).

**Listing:** UL & CUL Listed. Patent Pending.

**Accessories:** -NA-

**Specification Features**

- Specification grade die-cast aluminum fixture with integral aiming indicators to assure precise directional adjustment.
- Architectural design provides a smooth transition from lamp to fixture.
- Straight forward design allows tool less re-lamping of fixture.
- The 733 series track head utilizes the second circuit on the J2 style track with the use of the JClip.
- 5 year product warranty.

## Track Adaptor Information

**Standard Adaptor**  
For J style  
W2 & W.A.C track



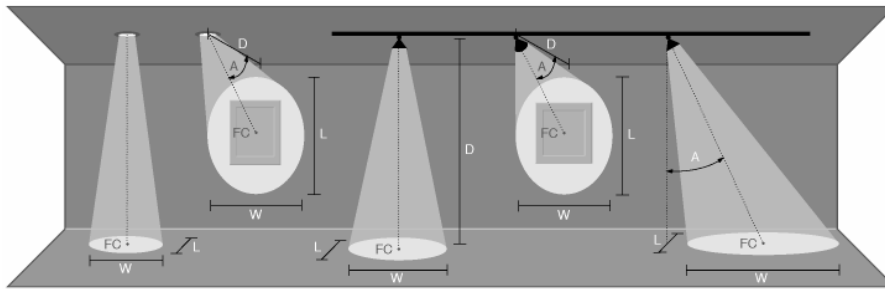
**J2 Adaptor**  
For J2 style  
W2 & W.A.C track



**JCLIP**  
Ordered when using track  
heads on 2<sup>nd</sup> circuit of J2

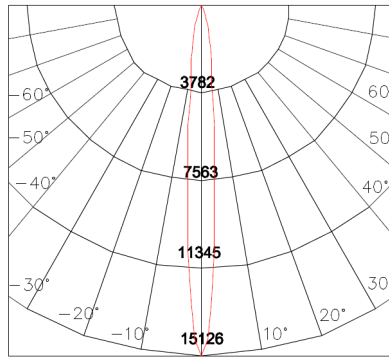


## Photometry

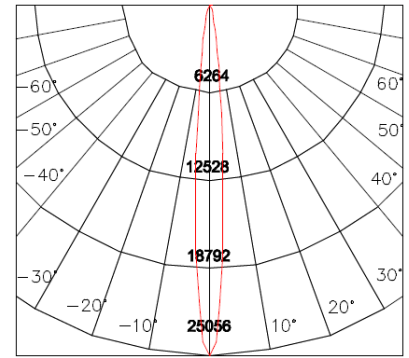


D Distance To Fixture From Wall Or Floor  
FC Initial Footcandle Level At Center Of Beam  
L Beam Length (where candlepower drops to 50% of maximum)  
W Beam Width (where candlepower drops to 50% of maximum)

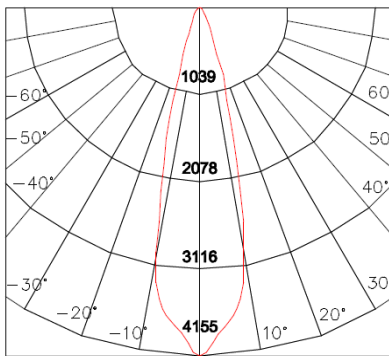
75W PAR30 NSP (10 DEG)				
0° Aiming Angle				
D(ft)	FC	W	L	
6	420	0.9	0.9	
9	187	1.4	1.4	
12	105	1.9	1.9	
15	67	2.4	2.4	
45° Aiming Angle				
D(ft)	FC	W	L	
6	149	1.9	1.3	
9	66	2.9	2.0	
12	37	3.8	2.7	
15	24	4.8	3.3	



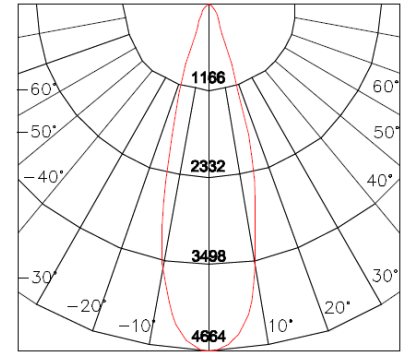
120W PAR38 SP				
0° Aiming Angle				
D(ft)	FC	W	L	
6	696	0.9	0.9	
9	309	1.4	1.4	
12	174	1.9	1.9	
15	111	2.4	2.4	
45° Aiming Angle				
D(ft)	FC	W	L	
6	246	1.9	1.3	
9	109	2.9	2.0	
12	62	3.8	2.7	
15	39	4.8	3.3	



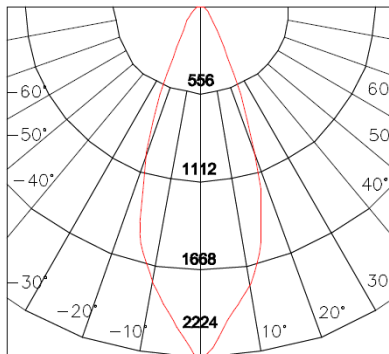
75W PAR30 NFL (25 DEG)				
0° Aiming Angle				
D(ft)	FC	W	L	
6	115	2.7	2.7	
9	51	4.0	4.0	
12	29	5.3	5.3	
15	18	6.7	6.7	
45° Aiming Angle				
D(ft)	FC	W	L	
6	41	5.6	3.8	
9	18	8.4	5.6	
12	10	11.2	7.5	
15	7	14.0	9.4	



120W PAR38 FL				
0° Aiming Angle				
D(ft)	FC	W	L	
6	130	3.2	3.2	
9	58	4.8	4.8	
12	32	6.4	6.4	
15	21	8.0	8.0	
45° Aiming Angle				
D(ft)	FC	W	L	
6	46	6.9	4.5	
9	20	10.4	6.8	
12	11	13.9	9.1	
15	7	17.3	11.4	



75W PAR30 FL (40 DEG)				
0° Aiming Angle				
D(ft)	FC	W	L	
6	62	4.4	4.4	
9	27	6.6	6.6	
12	15	8.7	8.7	
15	10	10.9	10.9	
45° Aiming Angle				
D(ft)	FC	W	L	
6	22	10.1	6.2	
9	10	15.1	9.3	
12	5	20.1	12.4	
15	3	25.2	15.4	



120W PAR38 WFL				
0° Aiming Angle				
D(ft)	FC	W	L	
6	80	6.2	6.2	
9	35	9.4	9.4	
12	20	12.5	12.5	
15	13	15.6	15.6	
45° Aiming Angle				
D(ft)	FC	W	L	
6	28	17.1	8.8	
9	13	25.7	13.3	
12	7	34.3	17.7	
15	5	42.8	22.1	

