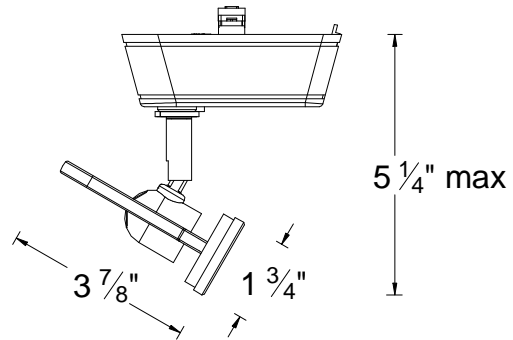


CATALOG NUMBER	TYPE
PROJECT	

LOW VOLTAGE TRACK HEAD

SERIES 1126



Ordering Matrix

Model			Series	Finish	
[]			[]		[]
HHT	JHT	LHT	1126	BK	WT

Ordering Example (model – series – finish): HHT-1126-BK

Product Details

Description:	Premier series low voltage track head for use with WAC brand H, L, J & J2 series track systems. In addition it may fit other manufacturer's original track (consult factory for specific brands).
Materials:	Die-cast aluminum track head with polycarbonate transformer case and track adapter. Bi-pin ceramic socket for MR11 lamp. Clear lens.
Aiming:	350° horizontal rotation and 90° vertical aiming. The ball and hub style aiming allows easy and fine adjustment to the desired angle.
Lamp & Transformer:	MR11 lamps. 35W max. Lamps sold separately. Integral electronic transformer for 12 volt MR11 lamps. 120V input.
Systems:	HHT is used with the WAC H system track (HT). JHT is used with the WAC J system and J2 system track (JT & J2-T). LHT is used with the WAC L system track (LT).
Finish:	Abrasion resistant finish in Black (BK), White (WT)
Listing:	U.L. & C.U.L. listed. 5 year WAC Lighting product warranty.

Specification Features

- "Quick-Ship" item, always in stock and available for immediate shipment.
- The supplied clear glass lens can be replaced with one lens accessory such as a colored dichroic lens, UV filter lens, frosted lens, etc. See catalog or website for full lens accessory selection.
- Low voltage track head extensions are available if longer than standard drops are required. Add X(*length*) to the front of the ordering code i.e. X24-HHT-1126-BK. Ordered as Black, White, or Brushed Nickel.

Compatible Accessories

JCLIP
Ordered when using track heads on 2nd circuit of J2 style track.



Order as JCLIP

Low Voltage Extensions
Factory installed.
Available in 6", 12", 18", 24", 36", 48", 72", 96" lengths.



Order as X(*length*)