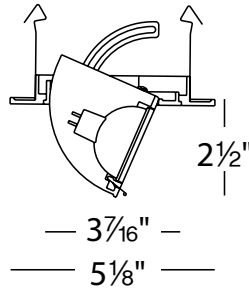


HR-D425

4" Low Voltage Downlight Trim

WAC LIGHTING

Responsible Lighting®



PRODUCT DESCRIPTION

Periscope style recessed adjustable trim.
For use with HR-8400 series low voltage housings.

FEATURES

- Directional spot, 80° adjustment from vertical recessed downlight
- Center lamp holder allows lamp to be tilted up to 80° from vertical
- The supplied clear glass lens can be replaced with one lens accessory
- Handles surfaces up to 3/4" thick
- 5 year WAC Lighting product warranty

ORDER NUMBER

Model # Finish

HR-D425	BK	Black
	BN	Brushed Nickel
	WT	White

Model # Finish

HR-D425	-	
---------	---	--

Example: HR-D425-BN

Fixture Type:

Catalog Number:

Project:

Location:

SPECIFICATIONS

Construction: Durable die-cast aluminum construction. Three heavy gauge retention clips firmly hold trim to housing. Trim is furnished with special socket and ceramic terminal block, to be used in place of the downlight housing socket.

Lamp: Utilizes LED or Halogen 12V MR16 lamps (order separately). 50W or 75W maximum, see individual housing for wattage rating.







Finish: Abrasion resistant powder coat painted or plated metal finish. Available in Black (BK), Brushed Nickel (BN), and White (WT).

Standards: UL & CUL Listed, Suitable for damp locations

ACCESSORIES

LENS-16- Color Lens	AMB	Amber	LENS-16-UVF	UV Filter
	BLU	Blue	LENS-16-FR	Frosted Lens
	GRN	Green	LENS-16-SPR	Spread Lens
	RED	Red	LENS-16-BEL	Beam Elongating Lens
	YEL	Yellow	LENS-16-HCL	Honeycomb Louver

4" Low Voltage Housings (Required)

	Model	Voltage	Transformer	Output	Installation	Rating
	HR-8402E	120V	Electronic	12V, 50W max	New Construction	Non-IC
	HR-8402HL*	120V	Magnetic	12V, 75W max	New Construction	Non-IC
	HR-8403	H 120V HF 277V	Magnetic	12V, 50W max	New Construction	IC Airtight
	HR-8402	H 120V HF 277V	Magnetic	12V, 50W max	New Construction	Non-IC
	HR-8401E	120V	Electronic	12V, 50W max	Remodel	Non-IC
	HR-8401	H 120V HF 277V	Magnetic	12V, 50W max	Remodel	Non-IC

*Not Compatible with HR-D418 or HR-D418-S Non-IC housings require 3" of clearance from insulation on all sides.

Accommodates ceiling thickness of up to 3/4" for remodel & 3/4" for new construction.

WAC Lighting

www.waclighting.com

Phone (800) 526.2588 • Fax (800) 526.2585

Headquarters/Eastern Distribution Center

44 Harbor Park Drive • Port Washington, NY 11050

Phone (516) 515.5000 • Fax (516) 515.5050

Western Distribution Center

1750 Archibald Avenue • Ontario, CA 91760

Phone (800) 526.2588 • Fax (800) 526.2585