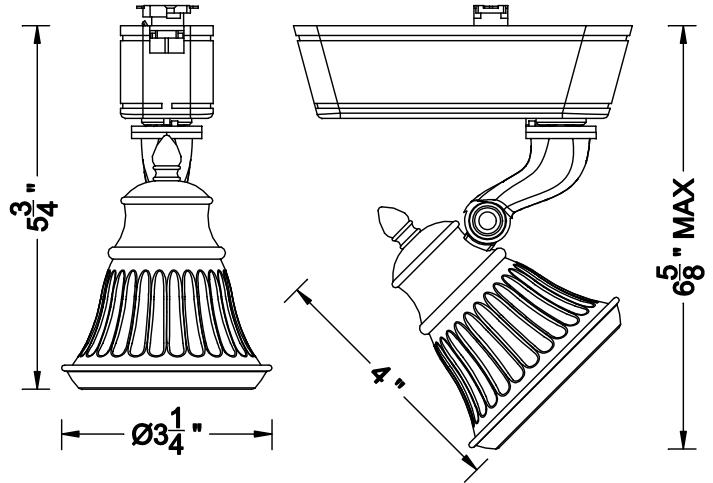


<b>CATALOG NUMBER</b>	<b>TYPE</b>
<b>PROJECT</b>	

**LOW VOLTAGE TRACK HEAD**

**SERIES 886**



**Ordering Matrix**

Model			Series		Finish
[ ]			[ ]		[ ]
HHT	JHT	LHT	886	886L	AB

Ordering Example (model – series – finish): LHT-886L-AB

**Product Details**

<b>Description:</b>	Low voltage track head using MR16G lamps. Designed for use with WAC H, L, J & J2 series track. In addition it may fit other manufacturer's track (consult factory for specific brands).
<b>Materials:</b>	Die-cast aluminum alloy lamp holder housing, corrosion resistant metal shade and polycarbonate track adaptor.
<b>Transformer:</b>	Electronic track transformer adaptor with auto reset, soft start, and short circuit protection.
<b>Socket:</b>	G5.3 base 250V ceramic socket with silver-plated contacts.
<b>Aiming:</b>	360° horizontal rotation and 90° vertical aiming.
<b>Lamping:</b>	Re-lamps from the front. 874 series uses 12V MR16G lamps, 50W max. 874L series uses 12V MR16G lamps, 75W max.
<b>Finish:</b>	Electroplated Antique Bronze (AB).
<b>Listing:</b>	UL & CUL Listed.

**Specification Features**

- Arm mounted track head providing maximum installation convenience with its ability to work on four different track systems.
- Hand finished Antique Bronze coordinates with today's faucets, fixtures, cabinet hardware and furniture.
- Machined solid brass decorative hardware adds aesthetically appealing detail to the fixture.
- Decorative traditional design complements historical architectural styles while meeting the design needs of today.
- The 886 series track head utilizes the second circuit on the J2 style track with the use of the JClip (ordered separately).
- Electronic transformer soft start feature is designed to prolong lamp life.
- Track adapter are Dark Bronze to match WAC bronze 120V Track.
- 5 year WAC Lighting product warranty.