

INSTRUCTIONS: LED Bar Lights

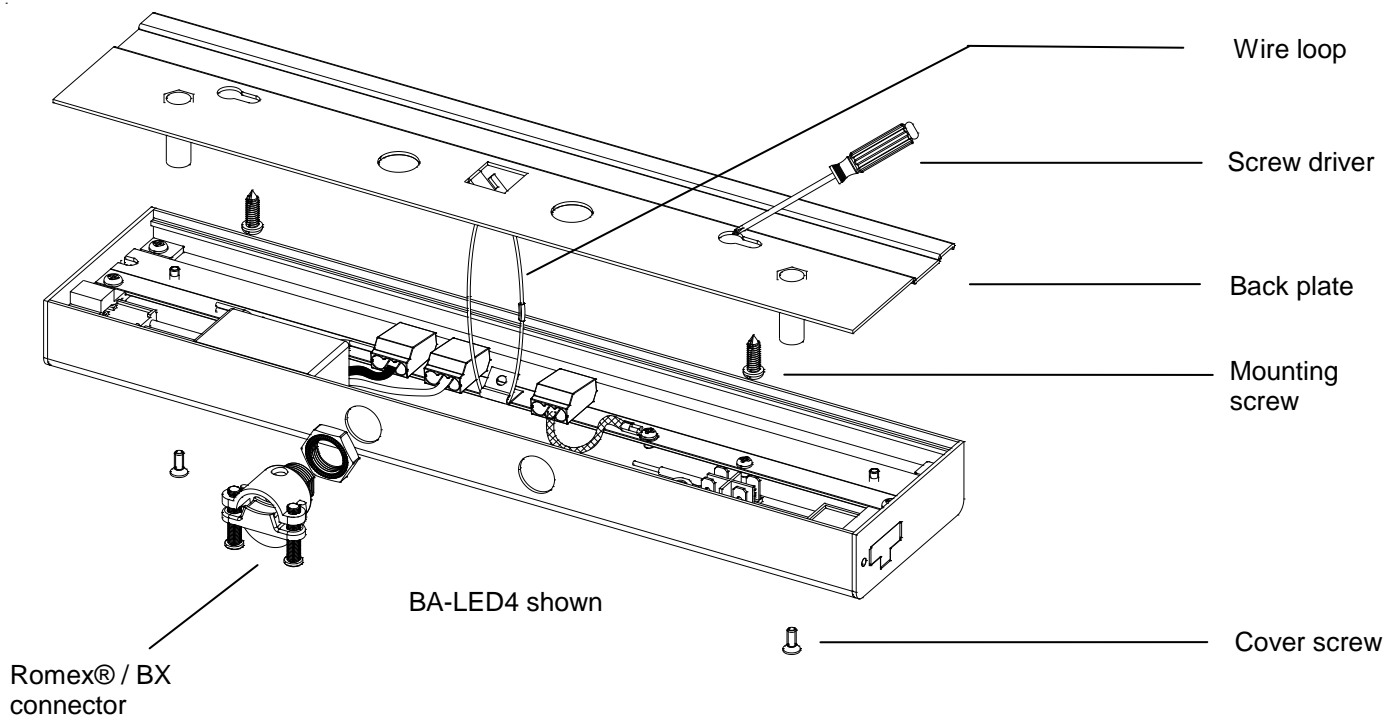
Models Series: BA-LED2 BA-LED4 BA-LED6 BA-LED8 BA-LED10

CAUTION:

- Read all instructions before installing.
- Always turn off power at fuse box prior to installation to prevent electrical shock.
- For display wall or under cabinet only. Not intended for ceiling use.
- For installation by a qualified electrician.
- System is intended for installation in accordance with National Electric Code, and local regulations.
- Consult with local inspector to assure compliance.
- Keep away from combustible materials such as plastic or paper products.
- Do not operate with missing or damaged lens.
- All wires must be contained.

Wiring and Installation:

1. Remove the cover screws on the LED light bars and set it aside.
2. Carefully pry open the back plate with a screw driver.
3. Position the back plate on mounting surface and mark key holes positions. Install back plate using mounting screws provided.
4. Pry out knock out on fixture for installing input wires.
On 4, 6, 8, and 10 light models, a second knock out hole is provided to allow multiple LED light bars to be wired from a single input.
5. Install the Romex® / BX connector provided to the knocked out hole.
6. For ease of installation, use wire loop on fixture to hang onto the back plate during wiring.
7. Allow approx 1 ½" of 120v input wires to enter the fixture body.
8. Strip ¼" insulation off 120v input wires. Connect input wires to LED light bars using convenient "poke home" connectors provided with LED light bars. Push 120v input wires firmly into "poke home" connectors for secure connections.
Connect black input wire to black fixture wire.
Connect white input wire to white fixture wire.
Connect green ground wire (may be bare copper) to green fixture wire.
9. Tuck wires connections neatly into LED light bar.
10. Snap LED light bar onto the back plate.
11. Secure LED light bar onto back place with cover screws.



Wiring of multiple units:

In addition to hard wiring multiple fixtures, components are provided to allow fixtures to be joined through surface wiring.

Note: The total fixtures of all connected fixtures should not exceed 6 pieces.

End to End Connection (I-connector included) :

The "I" connector allows two fixtures to be connected end to end.

1. Pry out the plastic covers concealing the female connection ports at the end of the fixtures.
2. The "I" connector has one square shaped connector and two rounds to assure the correct orientation.
3. Insert one end of the "I" connector into the fixture. Slide the second fixture to first one.
4. Secure position by mounting fixtures to the surface.

Using a jumper wire (Sold Separately) :

A surface mount jumper wire allows multiple units to be linked through surface wiring.

1. Pry out the plastic covers concealing the female connection ports at the end of the fixtures.
2. The jumper wire has one square shaped connector and two rounds to assure correct orientation.
3. Insert the ends of the connectors into each fixture.
4. Jumper wires have metal strain relief cover brackets. Slide the cover bracket over the connector. Position the bracket so that the hole in the bracket aligns with the hole in the fixture. Use the screw supplied, to secure the cover bracket to the fixture.
5. Wrap excess wire with nylon wire ties if necessary.

