

Fixture Type: _____

Catalog Number: _____

Project: _____

Location: _____

Morae

Pendant 3000K

Model & Size	Color Temp & CRI	Finish	Watt	LED Lumens	Delivered Lumens
PD-33230 30"	3000K 90	BK Black BN Brushed Nickel	42W	3300	1987

Example: **PD-33230-BN**

For custom requests please contact customs@wacighting.com

FEATURES

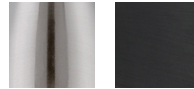
- Low profile, adjustable powered aircraft cables for an ultra-clean look
- Spin-on round canopy with minimal hardware
- May be mounted on a sloped ceiling
- Driver concealed within the canopy
- 5 Year warranty

SPECIFICATIONS

Color Temp:	3000K
Input:	120-277 VAC,50/60Hz
CRI:	90
Dimming:	ELV: 100-10% , 0-10V: 100-5%,TRIAC: 100-10%
Rated Life:	50000 Hours
Standards:	ETL, cETL,Title 24 JA8-2019 Compliant Damp Location Listed
Construction:	Aluminum body, silicone diffuser



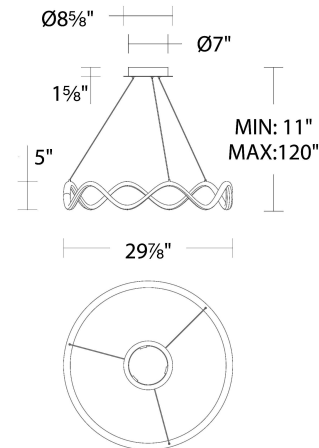
FINISHES:



Brushed
Nickel

Black

LINE DRAWING:



PD-33230