

SILO X42 – model: 2042

Monopoint Luminaire

WAC LIGHTING

Responsible Lighting®

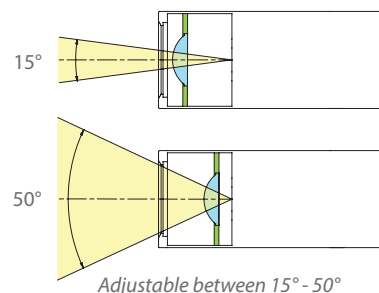
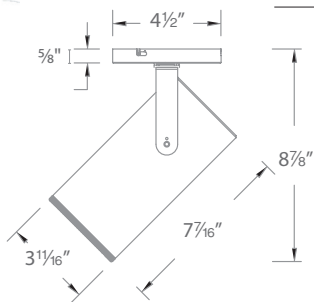


Fixture Type:

Catalog Number:

Project:

Location:



PRODUCT DESCRIPTION

Silo 2042 offers superior light output in a pleasing design with wide range of dynamic beam adjustment. Engineered style single source LED, optical and thermal management in a slender die-cast housing. Ideal for residential, retail, and commercial application.

FEATURES

- Continuously adjustable beam angles from 15° to 50°
- Ceiling and wall mountable
- Die-cast aluminum construction with rotatable front face
- Integral LED and driver
- Outperforms halogen 150W PAR38
- Accommodates one lens and one glare control accessory
- 50,000 hour rated life
- 5 year WAC Lighting product warranty
- Energy Star Rated®

SPECIFICATIONS

- Construction:** Die-cast aluminum with removable front cap for easy change of lenses or accessories
- Input:** 120 - 277VAC 50/60Hz
- Power:** 42W
- Light Source:** High output COB LED
- Dimming:** 100%-5% electronic low voltage (ELV) dimmer, 0-10V Powder coated Black and White, Anodized Brushed Nickel
- Finish:** coated Black and White, Anodized Brushed Nickel
- Standards:** UL & cUL Damp Location listed. Title 24 JA-2016 Compliant.

Track	Model	CRI	Color Temp	Beam	Lumens	CBCP	Finish	
MO Monopoint	2042	90	927	2700K	15°	1550	9730	BK Black BN Brushed Nickel WT White
				3000K	50°	2175	2020	
			930	3000K	15°	1670	10500	
				3500K	50°	2345	2180	
			935	3500K	15°	1705	10704	
				4000K	50°	2390	2225	
			940	4000K	15°	1800	11295	
				4000K	50°	2520	2345	

MO-2042-930-_____

Example: MO-2042-930-BK

Accommodates one lens accessory and one glare control accessory

LENS ACCESSORIES

Amber	LENS-25-AMB
Blue	LENS-25-BLU
Green	LENS-25-GRN
Red	LENS-25-RED
Frosted	LENS-25-FR
Spread	LENS-25-SPR
Beam Elongating	LENS-25-BEL

GLARE CONTROL ACCESSORIES

Cross Louver	LENS-25P-CRL-BK
	LENS-25P-CRL-BN
	LENS-25P-CRL-WT
Snoot	LENS-25-SNOOT-BK
	LENS-25-SNOOT-BN
	LENS-25-SNOOT-WT
Honeycomb	LENS-25-HCL

WAC Lighting

www.waclighting.com
Phone (800) 526.2588 • Fax (800) 526.2585

Headquarters/Eastern Distribution Center

44 Harbor Park Drive • Port Washington, NY 11050
Phone (516) 515.5000 • Fax (516) 515.5050

Western Distribution Center

1750 Archibald Avenue • Ontario, CA 91760
Phone (800) 526.2588 • Fax (800) 526.2585