

# INSTALLATION INSTRUCTION

## H Track Systems

HT2, HT4, HT6, HT8

# WAC LIGHTING

Responsible Lighting®

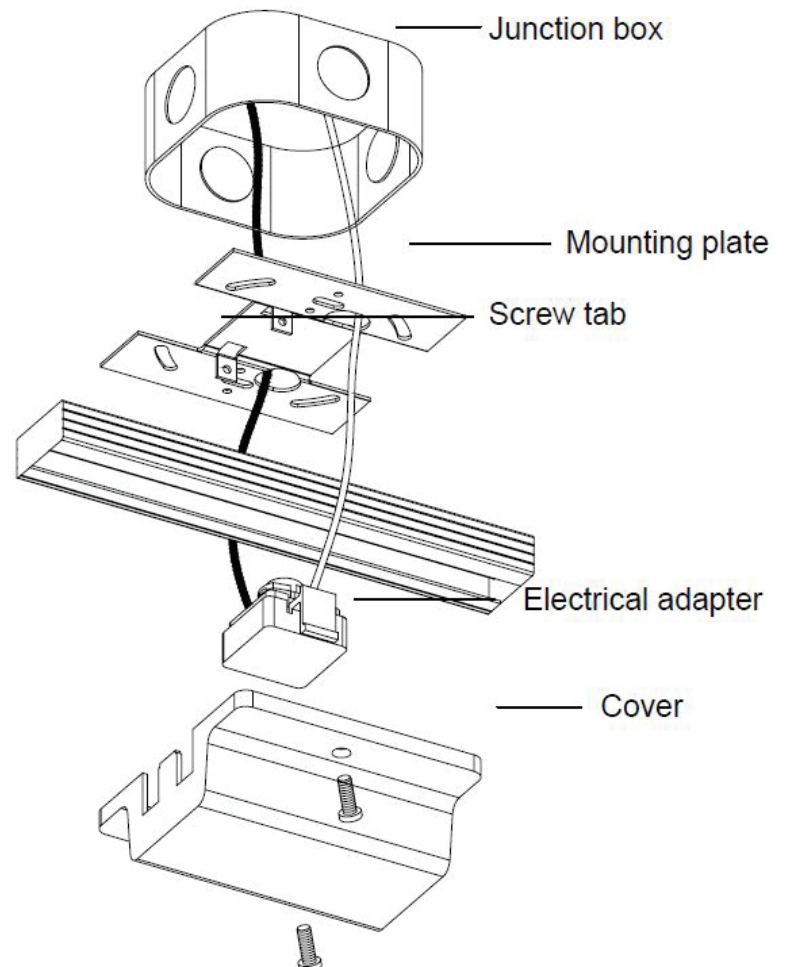
### SAFETY INSTRUCTION

- Read all of these instructions before installing the track system.
- Turn off power at main switch before installing or modifying the system.
- Do not install within six inches of any curtain or combustible materials.
- Do not install less than 5 feet above a floor.
- Do not install in damp or wet locations.
- Do not install concealed, or extended through building walls.
- Do not attempt to energize anything other than a track light fixture.
- Do not connect a track to more than one branch circuit. Although track light systems may seem to operate acceptably, a dangerous overload of the neutral may occur and result in a risk of fire.
- Check with a qualified electrician before wiring.
- All installation shall be in accordance with NEC and all local codes
- Save these installation instructions and refer to them when additions or changes to the track configuration are made.

### ELECTRICAL FEED FROM A JUNCTION BOX WITH FLOATING CANOPY

The floating canopy covers a junction box and brings power to the track anywhere along its length.

1. Make sure power is off.
2. Remove the electrical adapter from the mounting plate.
3. Secure mounting plate to the junction box using the slotted holes
4. Hold track to the ceiling and mark the position of mounting holes, set the position of the mounting plate. Screw tabs facing downward.
5. Mount track to ceiling following track mounting instructions (see track mounting section).
6. Secure track to the mounting plate. Tighten the screws on both sides.
7. Insert electrical adapter into track below junction box. Route wires along the side of track into the junction box.
8. Connect neutral (white) and hot (black) wires from the ceiling with their respective wires from the track adapter.
9. Connect ground wire from ceiling to green grounding wire from adapter.
10. Tuck excess wire back into the junction box.
11. Replace canopy cover and secure with screws.



# INSTALLATION INSTRUCTION

## H Track Systems

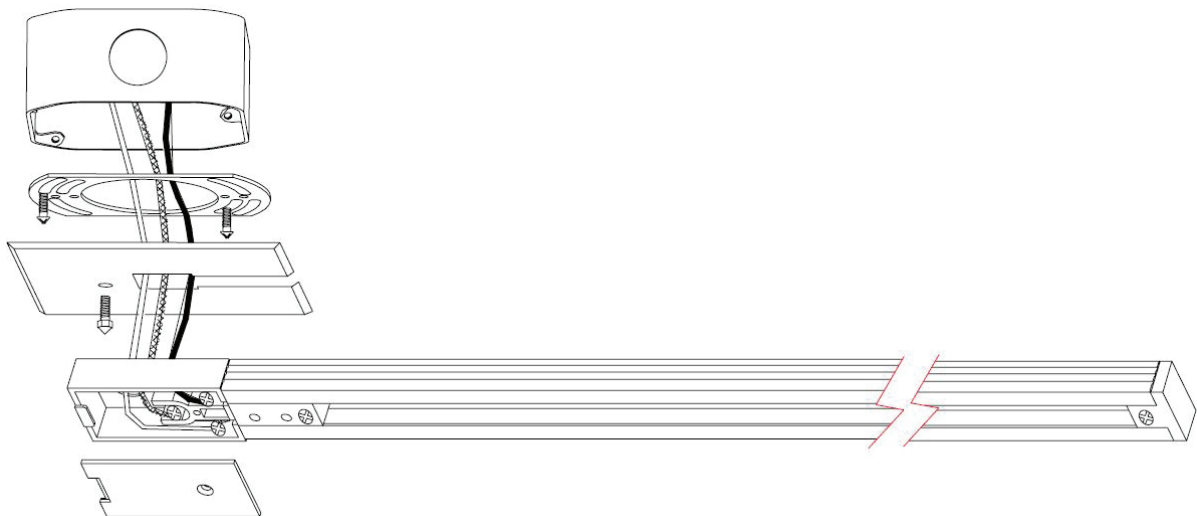
HT2, HT4, HT6, HT8

# WAC LIGHTING

Responsible Lighting®

### LIVE END ELECTRICAL FEED OVER A JUNCTION BOX

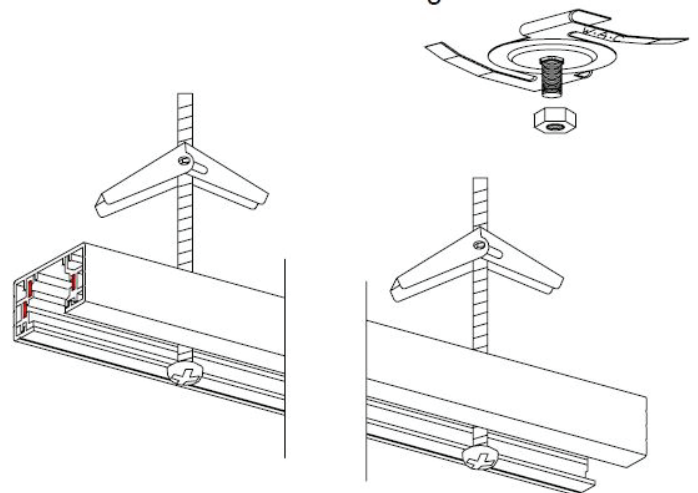
1. Make sure power is off.
2. Note the polarity indicator of the track. The live end can only be installed on one end. Brace the track end cap (opposite the live end) against a solid surface, and insert live end. This is important to achieve good electrical contact.
3. Position live end over center of junction box. Mark track-mounting holes.
4. Remove live end cover and pry out the knock out hole.
5. Use a canopy plate "CP". Attach mounting plate to junction box. Note plate has threaded screw holes, the remaining screw will fit in a slotted hole to permit positioning. The plate will protrude slightly beyond the junction box, but will be covered when completed.
6. Connect neutral (white) wire to the silver screw terminal on the live end marked "N" and Hot (black) wires to the brass colored screw terminal marked "A" on the live end.
7. Connect Ground wire to green wire or screw terminal on the live end. Tuck any excess wire back into the junction box.
8. Replace live end cover and secure with screw.
9. Install the canopy cover to the canopy plate with one screw and the cut out facing the track length.
10. Mount track (see Track Mounting).



### MOUNTING TRACK

1. Raise track assembly to ceiling. Mark mounting hole locations. Track support points should be not more than 4' apart. Use a minimum of two support points for 2' and 4' track and three for 6' and 8' track.
2. Drill ceiling holes suitable for the fasteners you intend to use. Toggle wings (supplied) require 1/2 inch holes.
3. If additional holes in track are needed, drill 5/32" holes through the centerline of track (locate holes at least 6" from track ends).
4. Insert bolts through track, and into the toggle wings, tighten 2 or 3 turns.
5. Push toggle wings into ceiling holes. Do not fully tighten toggle bolts until all electrical connections are made.

Use "T" bar clip for grid ceilings.



WAC Lighting  
www.waclighting.com  
Phone (800) 526.2588 • Fax (800) 526.2585

Headquarters/Eastern Distribution Center  
44 Harbor Park Drive • Port Washington, NY 11050  
Phone (516) 515.5000 • Fax (516) 515.5050

Western Distribution Center  
1750 Archibald Ave • Ontario, CA 91761  
Phone (800) 526.2588 • Fax (800) 526.2585

## INSTALLATION INSTRUCTION

### H Track Systems

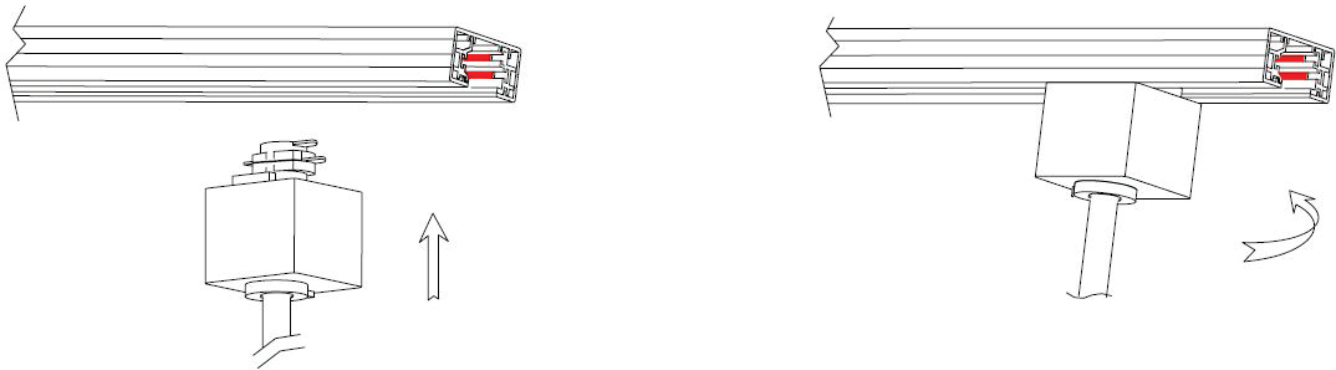
HT2, HT4, HT6, HT8

# WAC LIGHTING

Responsible Lighting®

#### FIXTURE INSTALLATION

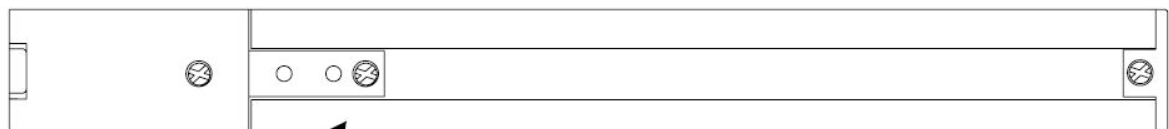
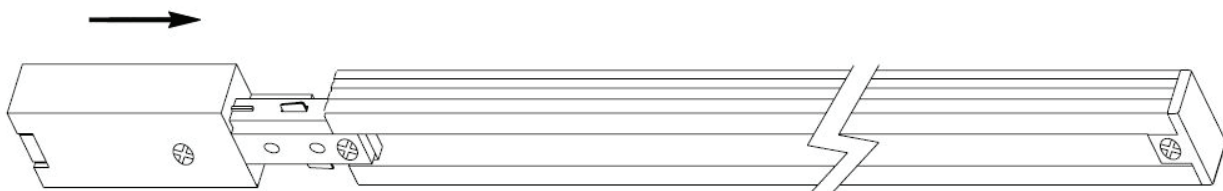
1. Note the track head contacts, and the polarity groove running the length of the track.
2. The two contacts should be positioned so that when rotated, they will face the grooved side of the track (this is the side with two flat copper wires running its length).
3. Insert adapter into track slot. Pull downward on the adapter while rotating the adapter 90°.
4. Release the adapter so the locking tab seats in the track slot.
5. Removal is the reverse procedure. Track heads may be positioned anywhere along the track length.



#### FIXTURE INSTALLATION

Measure the length of track needed, allow for the length of the live end or other connector. Work at floor level. Note the polarity of the track (the groove in the track indicates the two wire side). Identify the side that accepts the live end connector.

1. Brace the opposite end of track against a solid surface. Insert the live end and secure by tightening the screw.



Secure this screw

WAC Lighting  
www.waclighting.com  
Phone (800) 526.2588 • Fax (800) 526.2585

Headquarters/Eastern Distribution Center  
44 Harbor Park Drive • Port Washington, NY 11050  
Phone (516) 515.5000 • Fax (516) 515.5050

Western Distribution Center  
1750 Archibald Ave • Ontario, CA 91761  
Phone (800) 526.2588 • Fax (800) 526.2585

# INSTALLATION INSTRUCTION

## H Track Systems

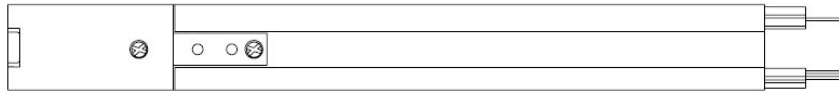
HT2, HT4, HT6, HT8

# WAC LIGHTING

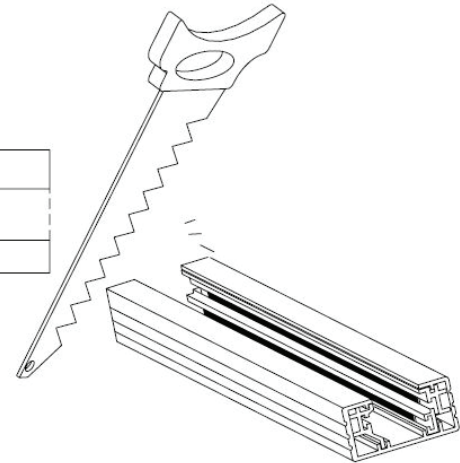
Responsible Lighting®

### FIELD CUTTING TRACK CONTINUED

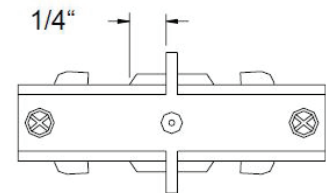
2. Do not allow bus wires and insulation to protrude from the end and do not cut the wires and push insulation back into the track.



3. Make a flush cut through track with a fine-toothed hacksaw. File any rough edges or flash. Brush out any remaining filings.



4. Once the flush cut is made trim 1/4" off the end of the copper bus wire. This will allow sufficient clearance for the end cap for a mating connector. If not performed in this sequence the bus wires will be short and cause faulty contact.



5. When mating to connector already at ceiling level make sure to support connectors at both ends.

WAC Lighting  
www.waclighting.com  
Phone (800) 526.2588 • Fax (800) 526.2585

Headquarters/Eastern Distribution Center  
44 Harbor Park Drive • Port Washington, NY 11050  
Phone (516) 515.5000 • Fax (516) 515.5050

Western Distribution Center  
1750 Archibald Ave • Ontario, CA 91761  
Phone (800) 526.2588 • Fax (800) 526.2585

**INSTALLATION INSTRUCTION**  
**Oculux LED Track Luminaires**  
H/L/J-7011

**WAC LIGHTING**  
Responsible Lighting®

**WARNING**

IMPORTANT: NEVER attempt any work without shutting off the electricity.

- Read all instructions before installing.
- System is intended for installation by a qualified electrician in accordance with the National Electrical Code and local regulations.
- Go to the main fuse box, or circuit breaker. Place the main power switch in the "OFF" position and unscrew the fuse(s) or switch "OFF" the circuit breaker switch(es) that control the power to the fixture or room that you are working on.
- Place the wall switch in the "OFF" position.

**AVERTISSEMENT**

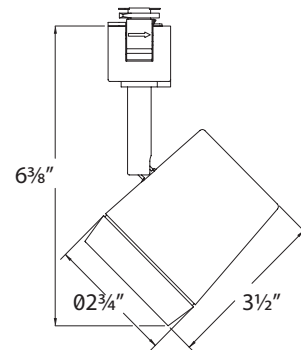
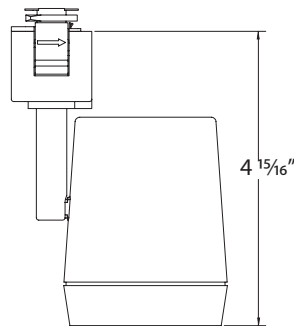
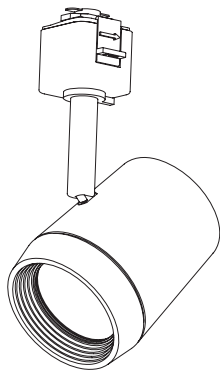
IMPORTANT : Coupez l'électricité avant TOUTE manipulation.

- Lisez toutes les instructions avant d'installer.
- Système est destiné à être installé par un électricien qualifié en conformité avec le code national de l'électricité et les règlements locaux.
- Accédez au panneau central de disjoncteurs ou de fusibles de votre demeure et placez l'interrupteur principal en position d'arrêt (« OFF »).
- Placez l'interrupteur mural en position d'arrêt (« OFF »).

**Overview:**

Fixtures are designed for use on WAC Lighting's track systems.

LED TRACK LUMINAIRE TRACK SYSTEM	TRACK SYSTEM
H-7011 Series 120V H Track	120V H Track
L-7011 Series 120V L Track	120V L Track
J-7011 Series 120V J or J2 Track	120V J or J2 Track



**Note:** All parts must be used as indicated in these instructions. Do not substitute any parts, leave parts out, or use any parts that are worn out or broken. Failure to follow this instruction could invalidate the ETL/cETL listing of this fixture.

waclighting.com  
Phone (800) 526.2588  
Fax (800) 526.2585

Headquarters/Eastern Distribution Center  
44 Harbor Park Drive  
Port Washington, NY 11050

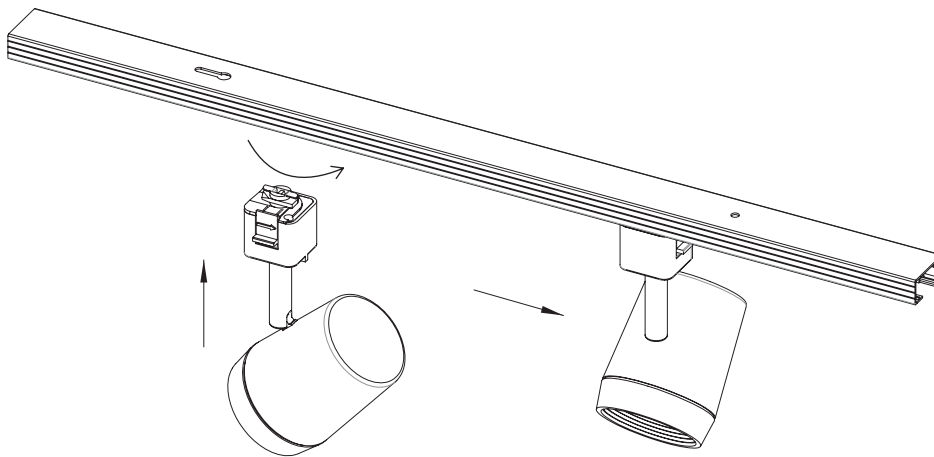
Central Distribution Center  
1600 Distribution Ct  
Lithia Springs, GA 30122

Western Distribution Center  
1750 Archibald Avenue  
Ontario, CA 91760

**FIXTURE INSTALLATION FOR H/ L/ J TRACK: (Fig.1)**

1. The track has a groove running its length to indicate polarity and the track adapter locking tab has an arrow indicating locking direction.
2. Insert adapter into track slot.  
**For H/J Track:** The arrow should be on the grooved side of the track.  
**For L Track:** The arrow should be on the side opposite the grooved side of the track.
3. Push up and rotate the adapter into the lock position.
4. Reverse procedure to remove. The fixture may be positioned anywhere along the track.

**Fig.1**

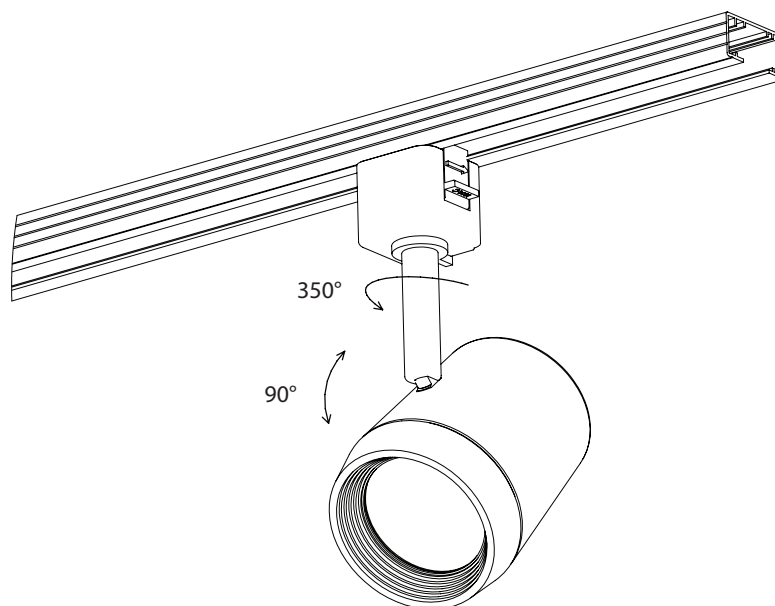


**FIXTURE POSITIONING: (Fig.2)**

Power on fixture, rotate the luminaire's body horizontally or vertically to aim it properly.

The fixture can rotate  $\pm 90^\circ$  vertically and  $350^\circ$  horizontally.

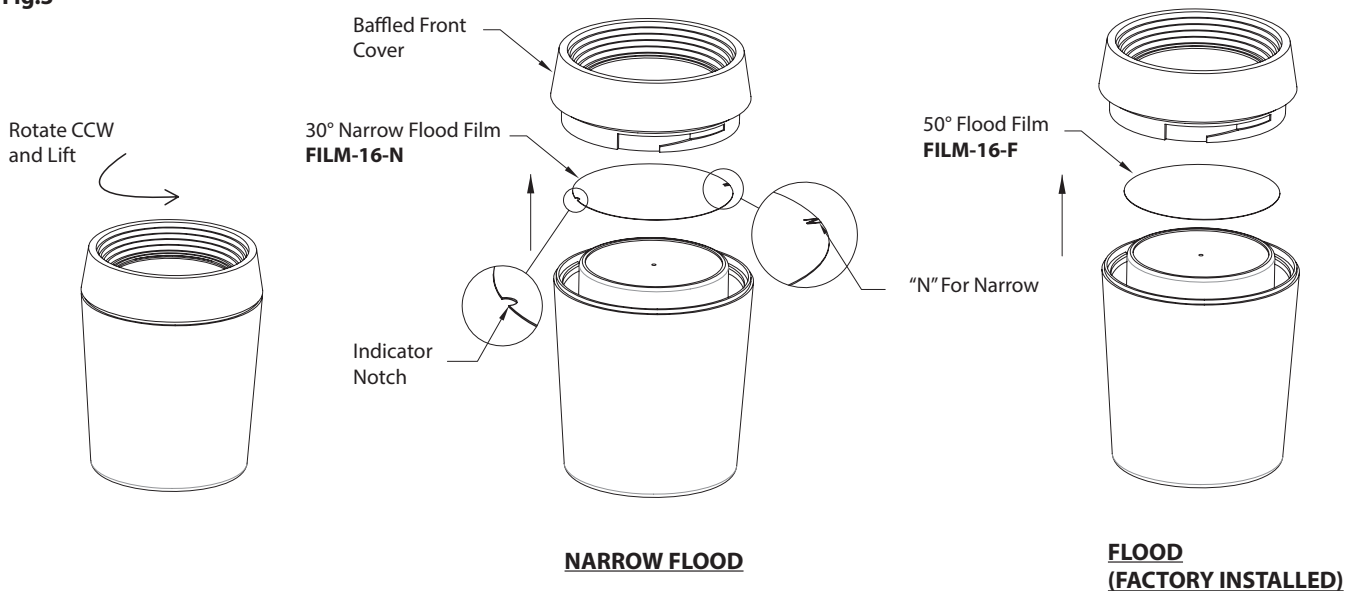
**Fig.2**



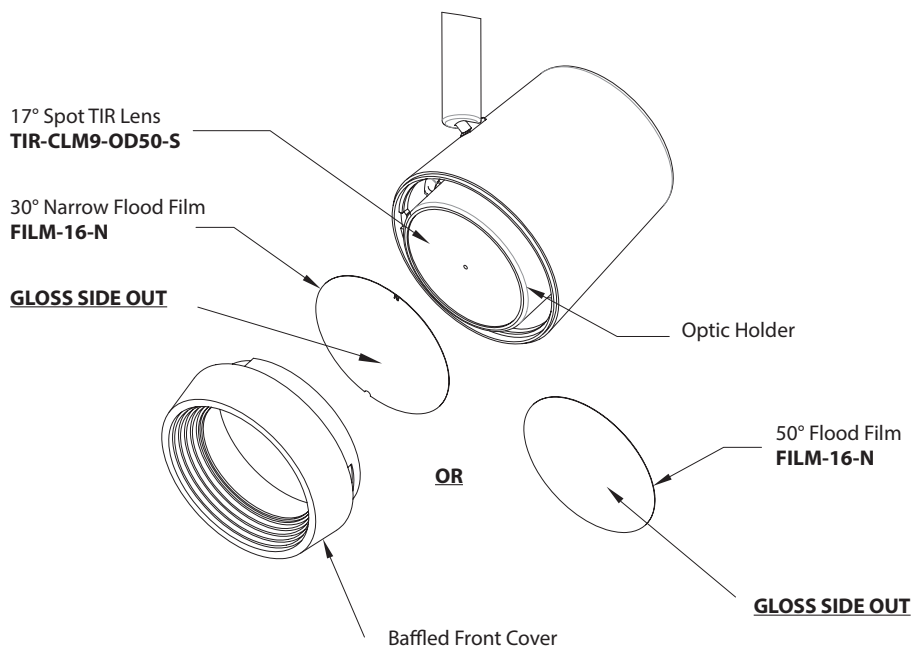
**OPTIC REPLACEMENT (FOR BEAM SELECTION):**

1. With the fixture powered OFF, rotate the baffled front cover counter clockwise (CCW) and lift to remove it from the fixture. **Fig.3**
2. For beam selection, choose appropriate film (**Narrow Flood or Flood**) or remove the film for the Spot beam.  
**Note:** The fixture is supplied with the TIR lens and Flood film pre-installed. The TIR lens is required for all beam configurations.
3. Apply the appropriate film (if selected) between the optic holder and baffled front cover. **Fig.4**  
**Note:** Ensure that any films installed, are installed with the **GLOSS SIDE OUT**.
4. Re-install the baffled front cover.

**Fig.3**



**Fig.4**



**\* REMOVE FILM FOR SPOT BEAM**