

VON DUPRIN®

INSTALLATION INSTRUCTIONS

1. Prepare door for exit device. See exit device instructions for holes, backset (line X-X), and center lines.
2. Prepare door for trim:
 - A. Transfer line X-X from inside (exit device side) of door to outside (trim side) of door. Use extra care if edge of door is beveled. Be sure line X-X is parallel to edge of door.
 - B. Locate and prepare all holes as shown.
3. If necessary, change handing on L or L-BE trim (see other side).
4. For L and K trim only (not L-BE or K-BE), install rim cylinder (Figure 1). Do not use cylinder collar.
5. Cut cylinder tailpiece so it projects $7/16''$ to $9/16''$ out of exit device side of door.
6. Check that R & V finger is set properly for door thickness (see other side). If necessary, adjust R & V finger length.
7. Adjust exit device cam for trim function (see sticker attached to trim).
8. If using cylinder, install tailpiece guide in exit device cam (Figure 2).
9. Install exit device and trim. Use $1-3/8''$ screws for $1-3/4''$ doors, $1-7/8''$ screws for $2''$ and $2-1/4''$ doors (cut down screws for $2''$ doors if necessary).

Tabs on cylinder retaining cup must engage slots on trim

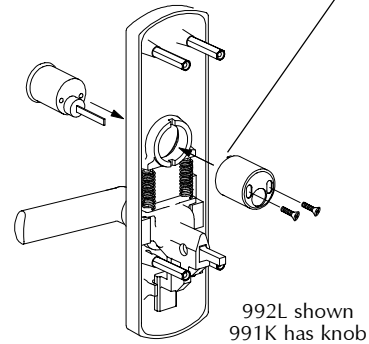


Figure 1

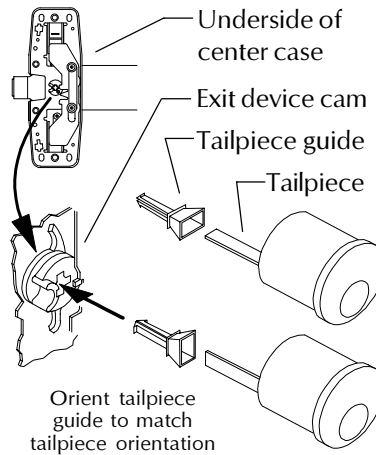
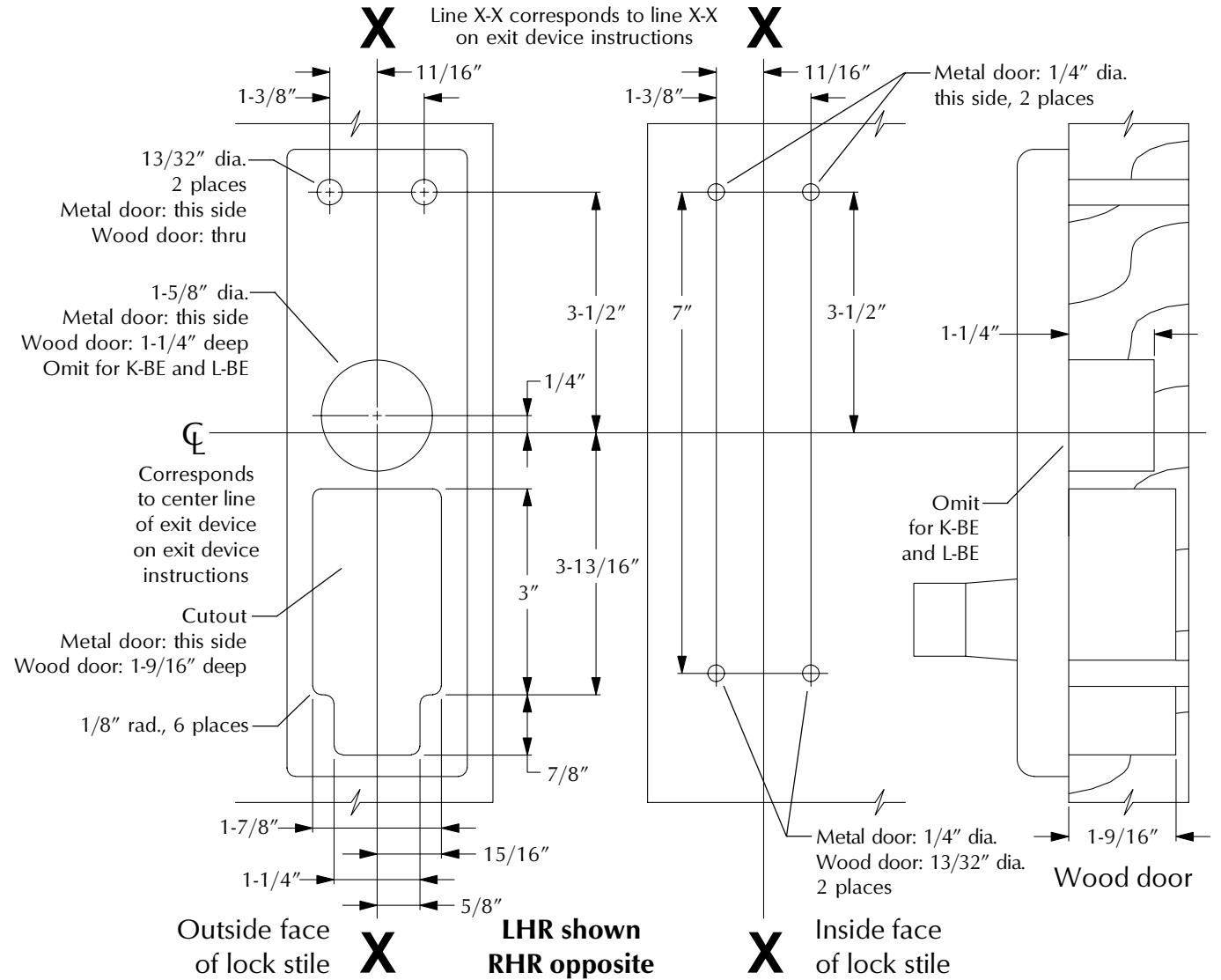


Figure 2

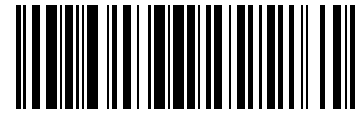


For cutouts on inside face of door, see exit device instructions

Device Application Schedule (Panic and Fire)
All 98/99 devices except 98/9975 Mortise Lock Device



991K/K-BE AND 992L/L-BE TRIM FOR RIM AND VERTICAL ROD DEVICES		
Copyright © 2004 Ingersoll-Rand. All rights reserved.	PAGE NO. 1 of 2	REVISION 4

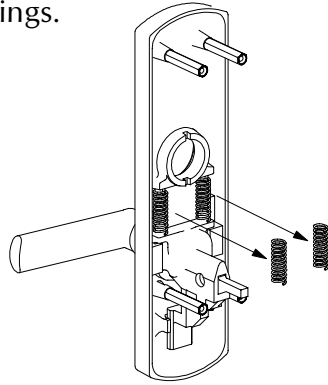


921294-00

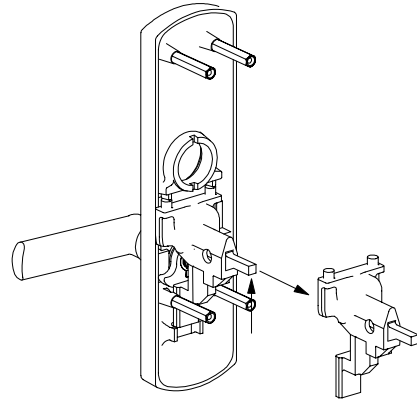
VON DUPRIN®

TO CHANGE LEVER HANDING

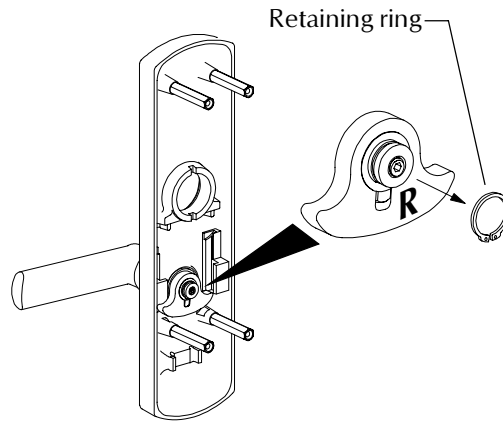
1. Remove springs.



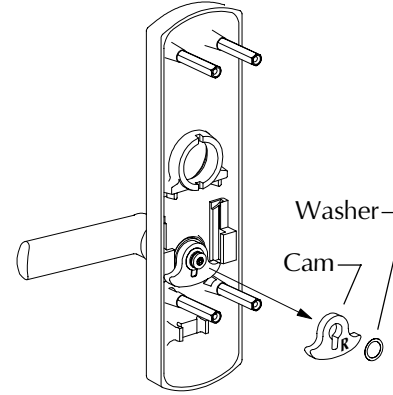
2. Remove slider assembly by pushing it up, then pulling it out.



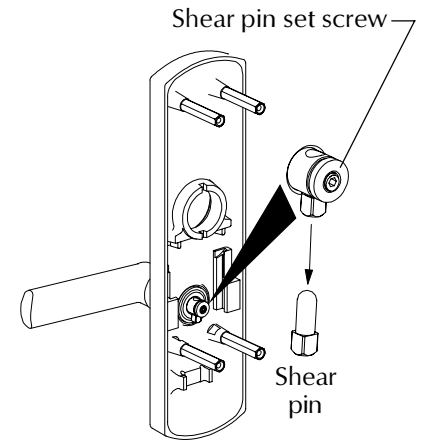
3. Use retaining pliers to remove retaining ring.



4. Remove washer and cam.



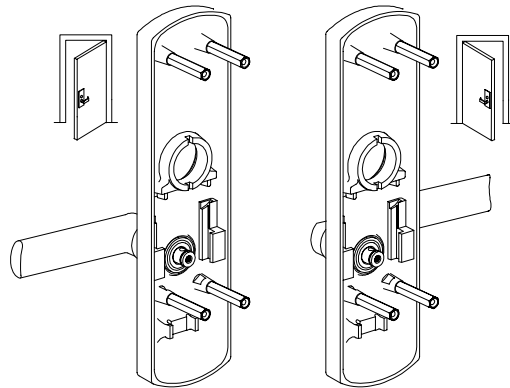
5. Use 3/32" hex wrench to loosen set screw. Remove shear pin.



6. Place lever in RHR or LHR position.

RHR

LHR



7. Re-install shear pin with head pointed down, then tighten shear pin set screw (see Step 5).

8. Re-install cam with "L" visible for LHR or "R" visible for RHR. Re-install washer (see Step 4).

RHR

LHR

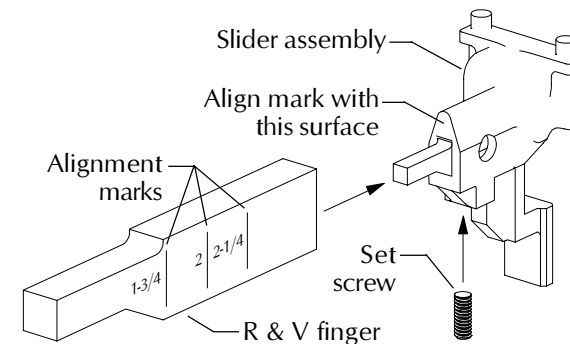


9. Re-install retaining ring (see Step 3).

10. With lever in position, re-install slider assembly and springs (see Steps 2 and 1).

TO ADJUST R & V FINGER LENGTH

The R & V finger length must be set to the alignment mark that matches the door thickness. To adjust R & V finger length, use a 1/8" hex wrench to loosen the set screw on the slider assembly, slide the R & V finger in or out as necessary, then tighten the set screw.



NOTE

If the R & V finger slightly actuates the device and prevents deadlatching, loosen the set screw on the slider assembly. Remove the R & V finger, turn it over, re-install it, and tighten the set screw.

IR Security & Safety
Proven Source. Proven Solutions.™

991K/K-BE AND 992L/L-BE TRIM
FOR RIM AND VERTICAL ROD DEVICES

Copyright © 2004 Ingersoll-Rand.
All rights reserved.

PAGE NO.
2 of 2

REVISION
4

921294-00