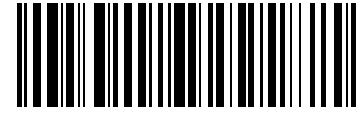


# VON DUPRIN®

## Installation Instructions



931224-00

### STRIKEFORCE® 6221 Electric Strike



#### Double Door Open Back Mortise or Cylindrical Application

**Notes:** Deadbolt will not function with this strike.  
Check with factory for retrofit applications.

1. For lock or device preparation, see their directions.
2. Prepare door for strike (see other side).
3. Wire strike (Figure 1).

4. Test strike: Apply solenoid power. Fail secure (FSE) lip unlocks. Fail safe (FS) lip locks.
5. Install strike with two #12-24 screws. Make sure clearance between latch bolt and strike lip is 1/32" (Figure 2). If not, uninstall strike, adjust (Figure 3), and reinstall.
6. Test door: With strike unlocked, door opens with latch bolt extended. When door closes, latch bolt rides over strike lip.

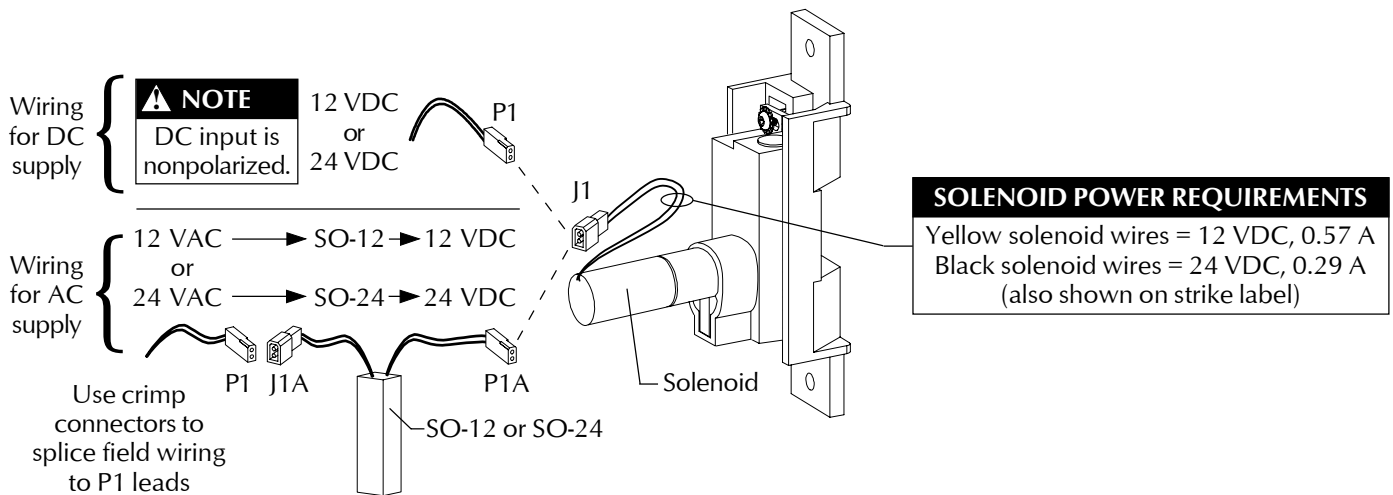


Figure 1

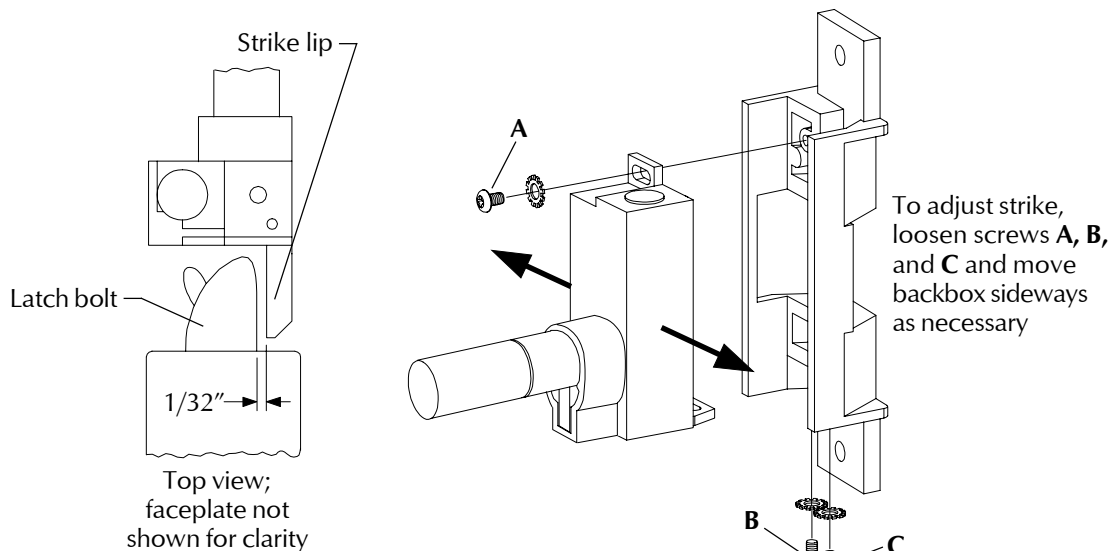
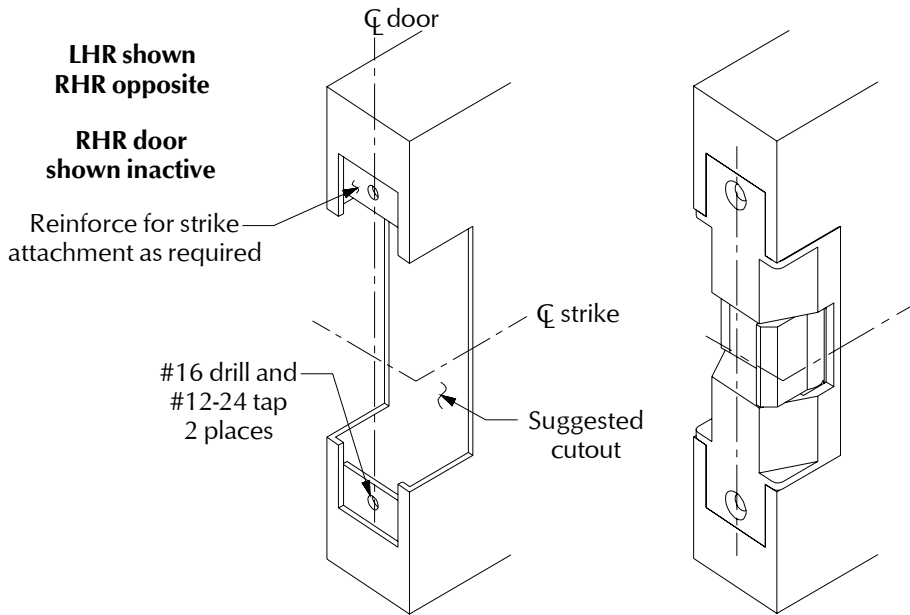
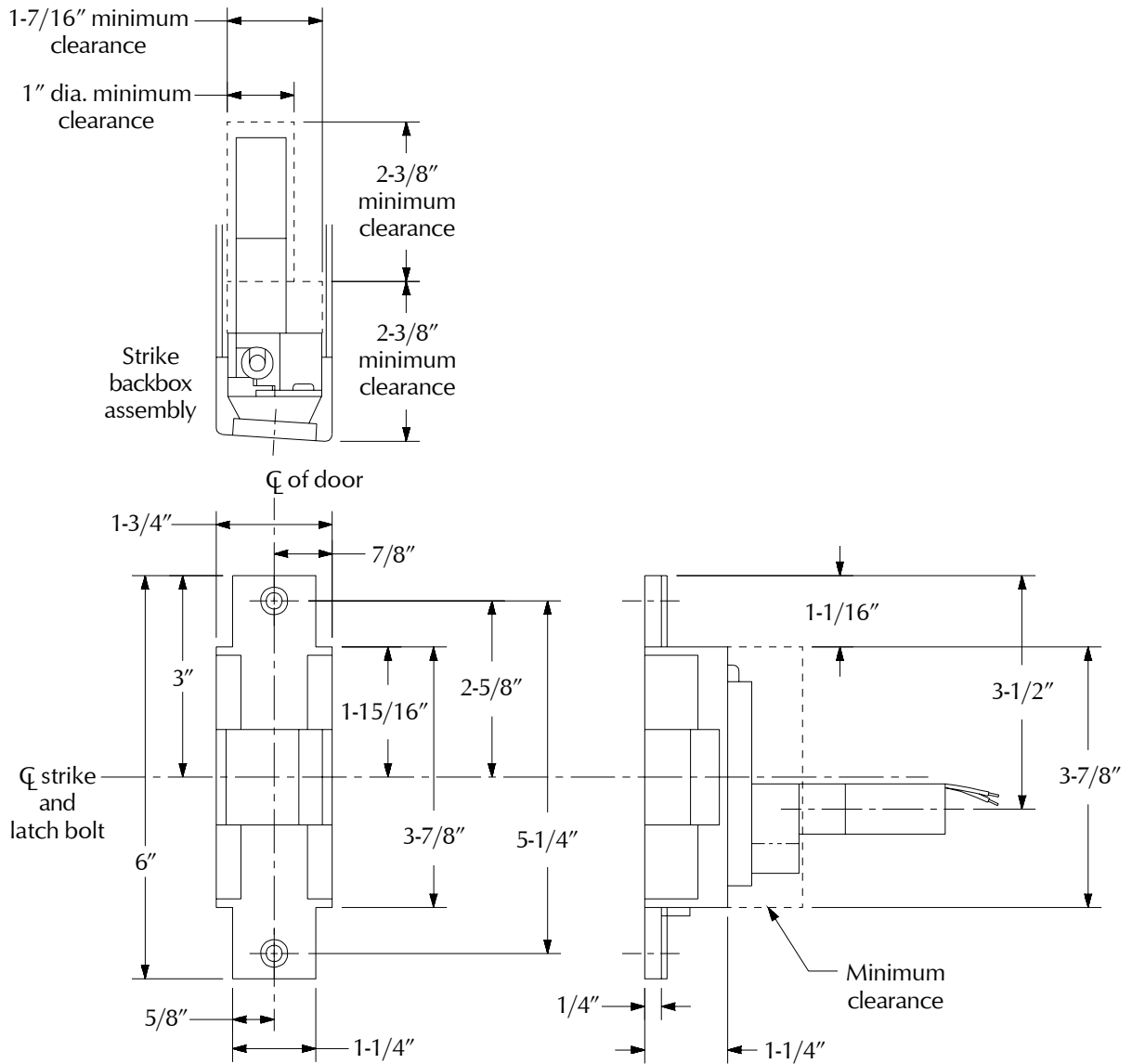


Figure 2

Figure 3



**Door Preparation for Strike**



**Strike Dimensions and Required Clearances**