



911378-00

98/9957

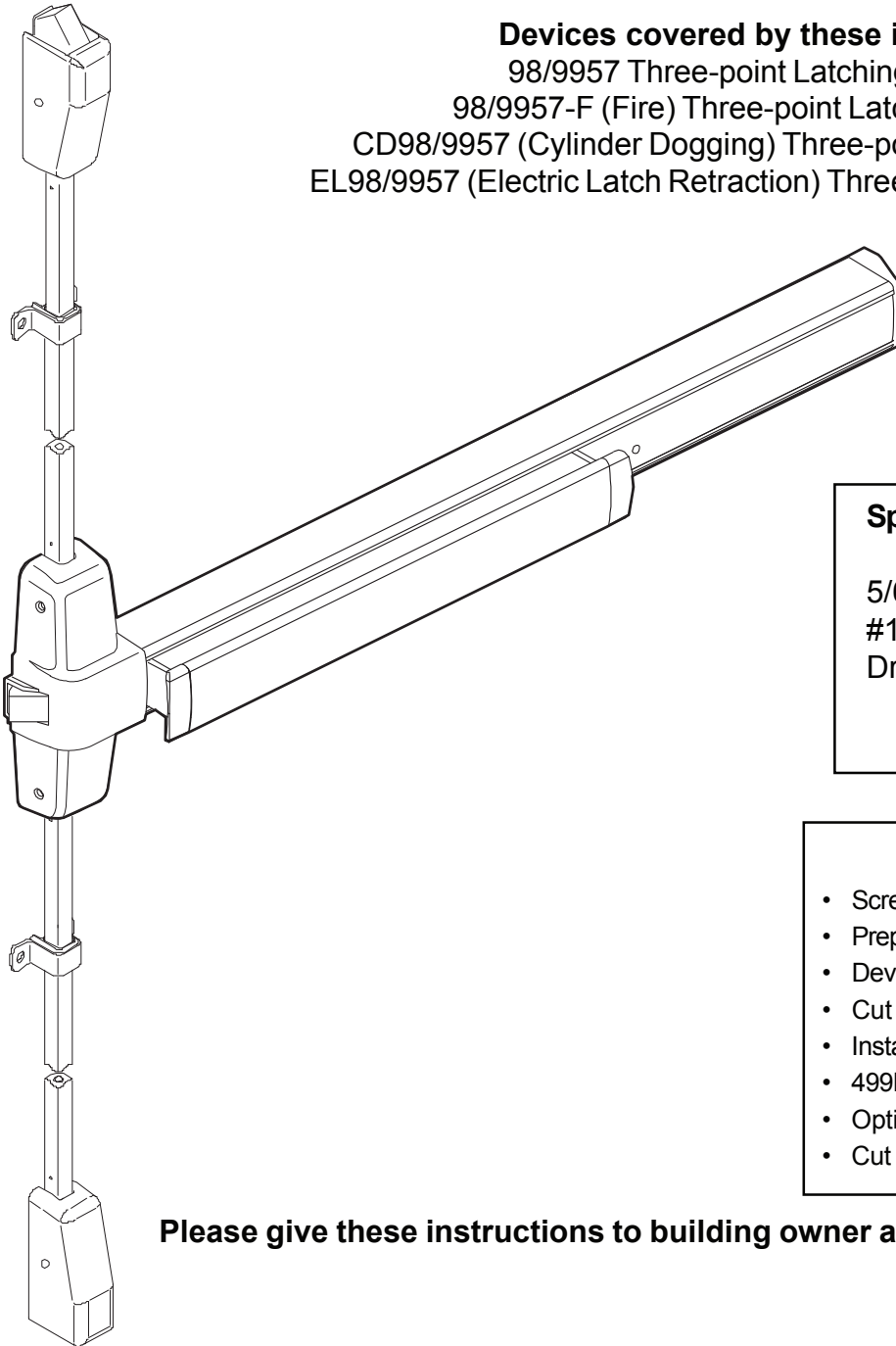
VON DUPRIN®

Three-point Latching Exit Device

Installation Instructions

Devices covered by these instructions:

- 98/9957 Three-point Latching Exit Device
- 98/9957-F (Fire) Three-point Latching Exit Device
- CD98/9957 (Cylinder Dogging) Three-point Latching Exit Device
- EL98/9957 (Electric Latch Retraction) Three-point Latching Exit Device



Special tools needed:

- 5/64" hex wrench
- #10-24 tap
- Drill bits: #25, 1/8", 1/4",
5/16", 13/32"

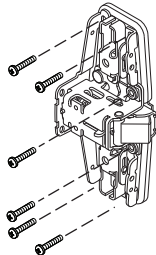
Index:

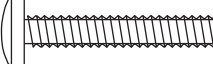
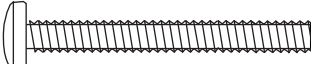
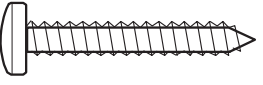

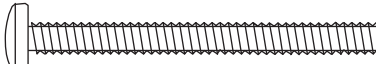
- Screw chart 2
- Preparation chart 3
- Device installation 4-7
- Cut top rod 8
- Install rod extension 8
- 499F strike installation 9
- Optional equipment 9
- Cut device 10

Please give these instructions to building owner after device is installed

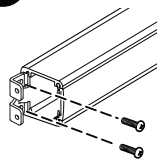
SCREW CHART

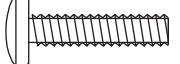
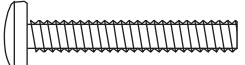
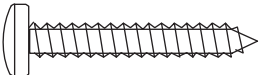
A



-  #10-24 X 1" ————— Surface mount or Sex bolts (1-3/4" door)
 -  #10-24 X 1-1/2" ————— Sex bolts (2-1/4" door)
 -  #10 x 1-1/4" Wood screw ————— Surface mount (wood)
-
- Packaged with trim -
-  #10-24 X 1-3/8" ————— 990 trims (1-3/4" door)
 -  #10-24 X 1-7/8" ————— 990 trims (2-1/4" door)

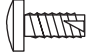
B



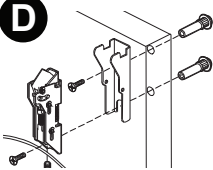
-  #10-24 X 3/4" ————— Surface mount or Sex bolts (1-3/4" door)
-  #10-24 X 1-1/8" ————— Sex bolts 2-1/4" door
-  #10 x 1-1/4" Wood screw ————— Surface mount (wood)



C



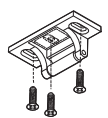
-  #10-16 X 3/8" Thread cutting ————— End cap

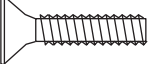
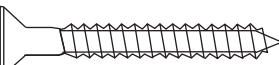
D



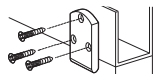
-  1/4-20 X 3/4" ————— 1-3/4" door
-  1/4-20 X 1-1/4" ————— 2-1/4" door

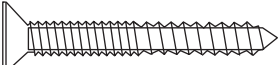
E



-  #10-24 X 3/4" ————— Metal frame
-  #10 X 1-1/2" Wood screw ————— Wood frame

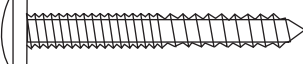
F



-  #10-12 X 10-24 X 1-1/4" Combination ————— Metal or wood frame

G



-  #10-12 X 10-24 X 1-1/4" Combination ————— Variable floor surfaces

H



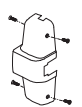
-  #8-32 X 1/4" ————— Latch covers

I



-  #10-12 X 10-24 X 1" Combination ————— Metal or wood door

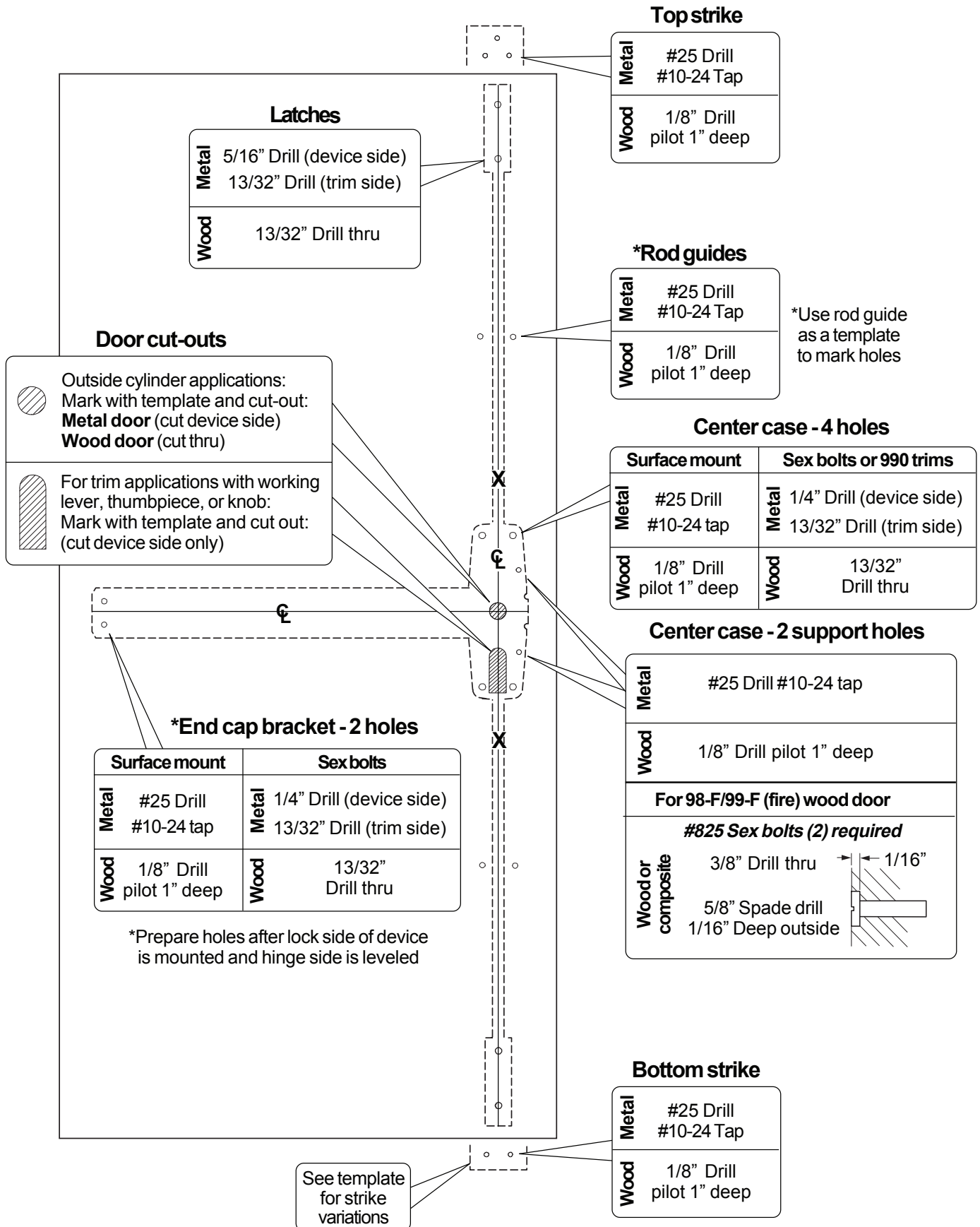
J



-  #8-18 X 3/8" Thread cutting ————— Center case cover

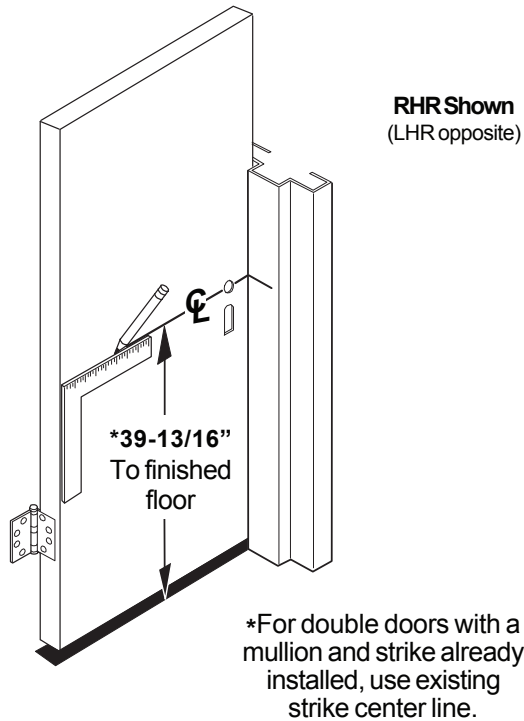
PREPARATION CHART

Go to instructions on next page before using Preparation Chart



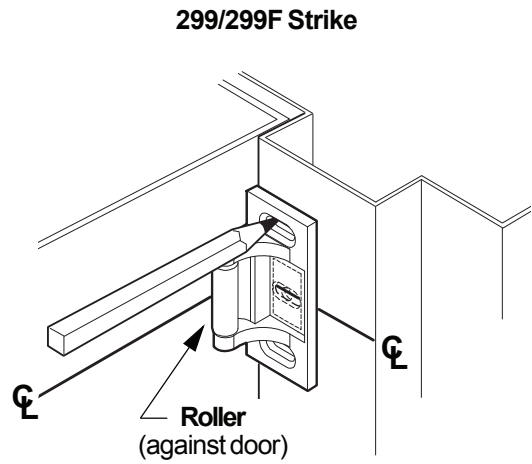
1

Draw horizontal device and strike center line (☿).



2

Align strike on ☿ and mark the two slotted holes.

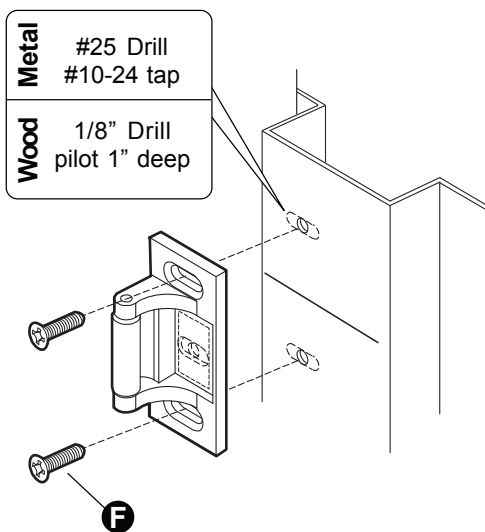


For 499F Strike see page 9.

3

Prepare 2 holes and install a screw thru each slot.

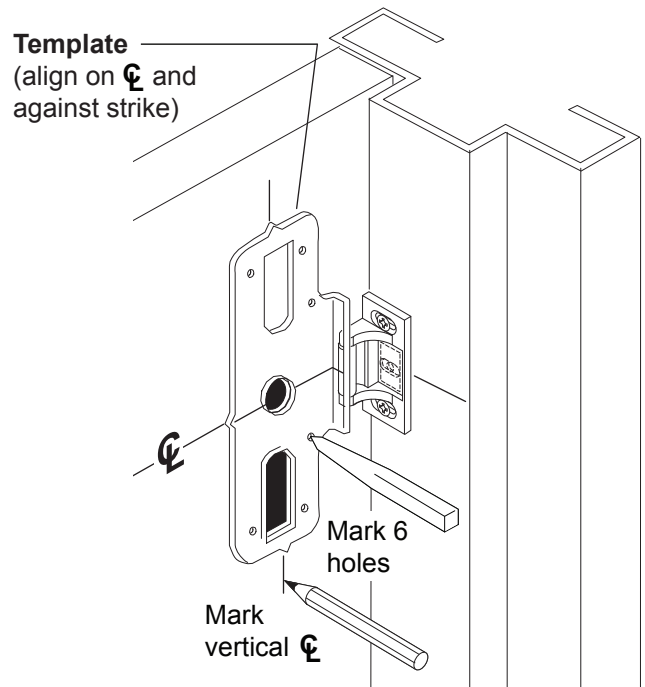
299/299F Strike



See "Screw Chart" on page 2 for screw types and sizes

4

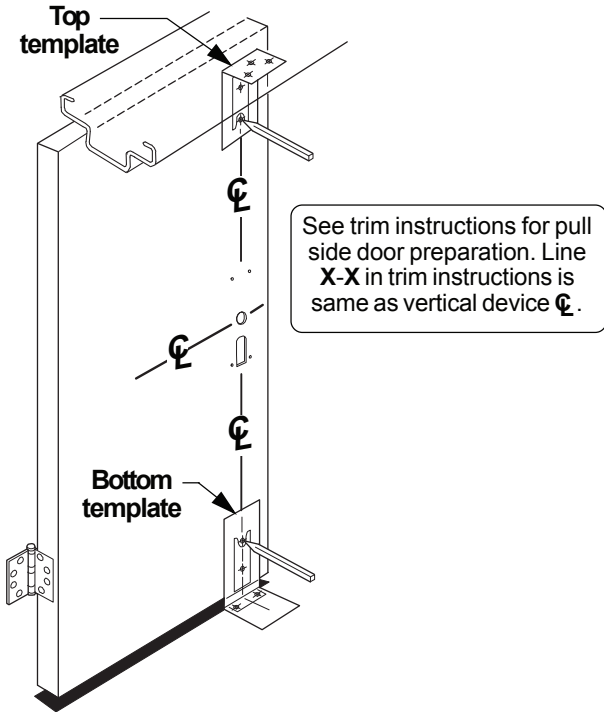
Position template against strike and on ☿ and mark door.



5

Mark vertical \mathcal{C} with template and use top and bottom templates to prepare door and frame.

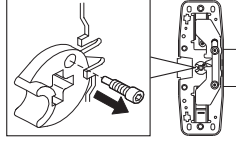
See "Preparation Chart" on page 3 for drill, tap, and cut-out information



6

If using an outside cylinder, check NL drive screw and install tailpiece guide.

NL drive screw

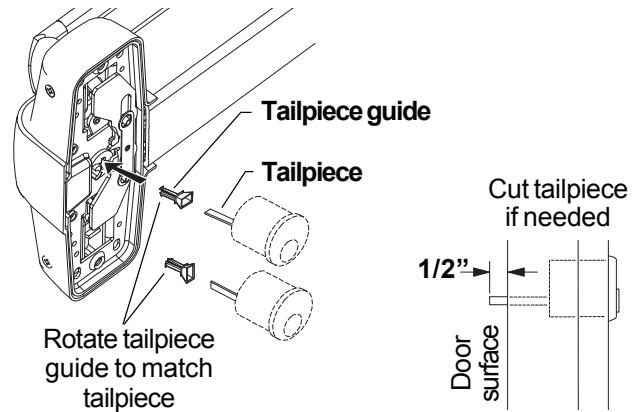


When installing trim that has a functional lever, knob, or thumb piece AND an outside cylinder to lock and unlock the trim, remove NL drive screw from back of device.

Note: When the NL drive screw is left in back of device, the outside cylinder will function only as a Night Latch.

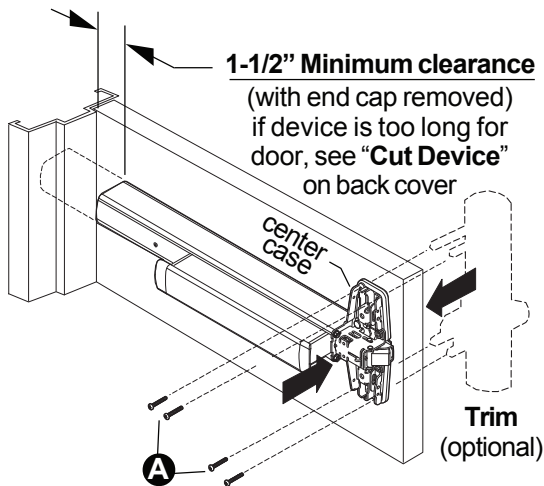
DO NOT remove NL drive screw for the following trims: **NL, EO, DT, TP-2, L-2, and K-2.**

With "BE" trim, device may need to be rehanded. Look for instructions on back of trim.



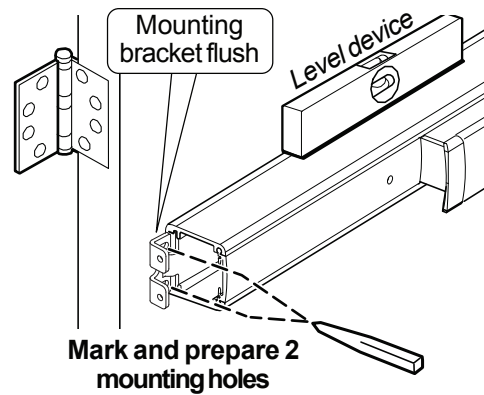
7

Install trim (if using) and secure device center case to door.

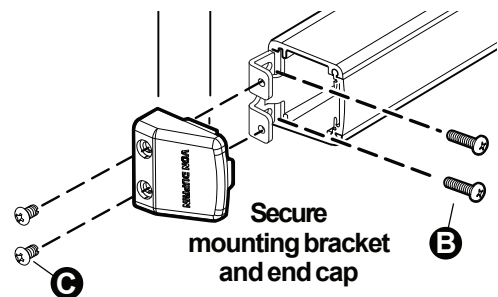


8

Install mounting bracket and end cap.

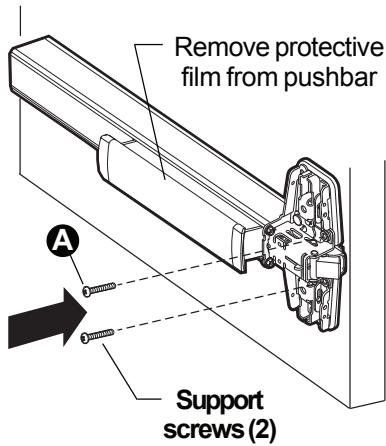


See "Preparation Chart" on page 3 for preparation

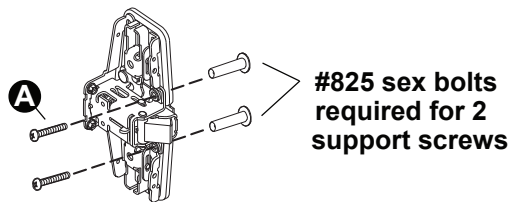


9

Install 2 support screws.



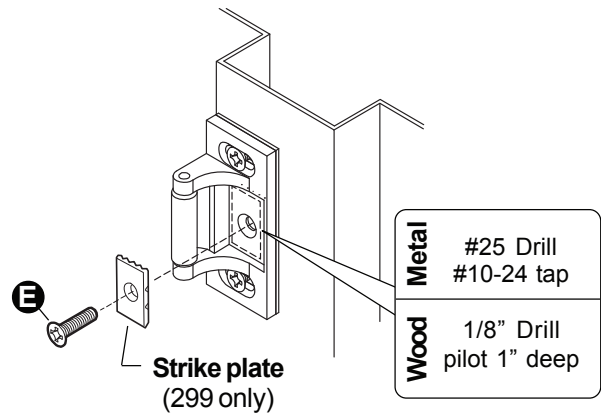
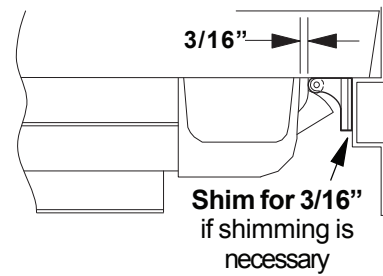
For **98/9957F (fire rated)** devices on wood or composite door:



10

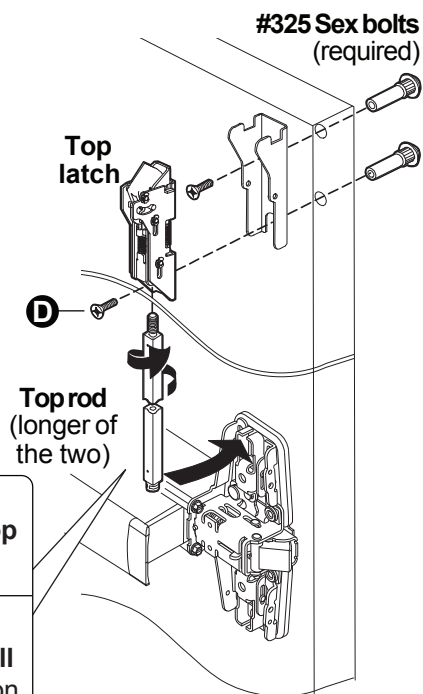
Adjust and secure strike.

299/299F Strike



11

Install top latch and rod.



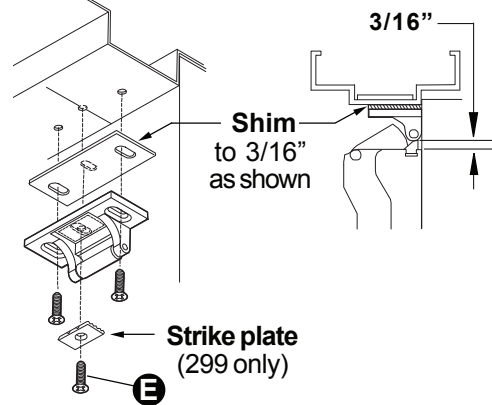
If top rod is too long, see **"Cut top rod"** on page 8

If top rod is too short, see **"Install rod extension"** on page 8

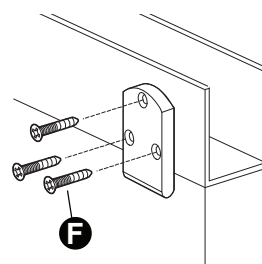
12

Install top strike.

299/299F Strike



260U Strike



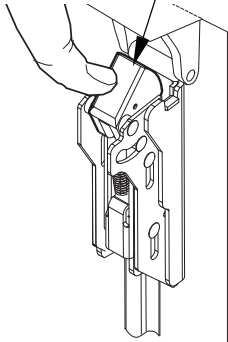
13

Adjust top rod (screw rod into or out of latch) until adjusted as shown.

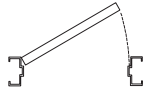
With door closed:



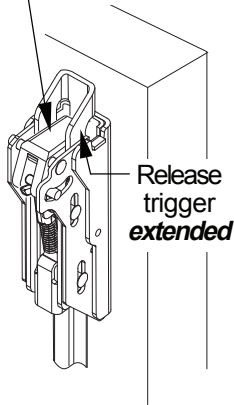
Latch bolt **deadlocked** (will not push in)



With door open:



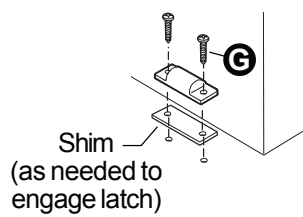
Latch bolt stays **retracted**



14

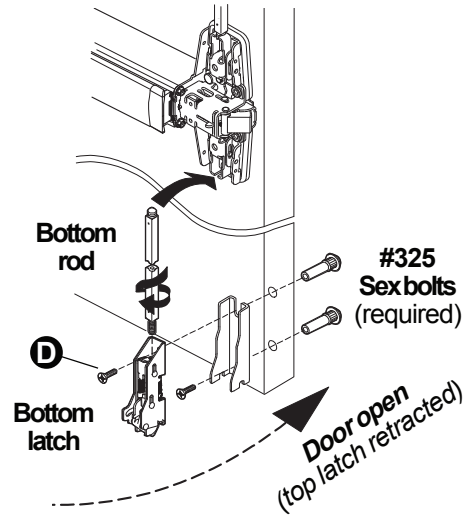
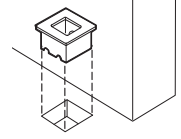
Install bottom strike, latch, and rod.

248L-4 Strike



Shim (as needed to engage latch)

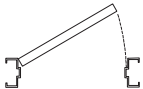
304L Strike
Grout strike into floor



15

Adjust bottom rod with door open (top latch retracted).

With door open:



Latch bolt should **clear floor** and not bind on strike

With door closed:



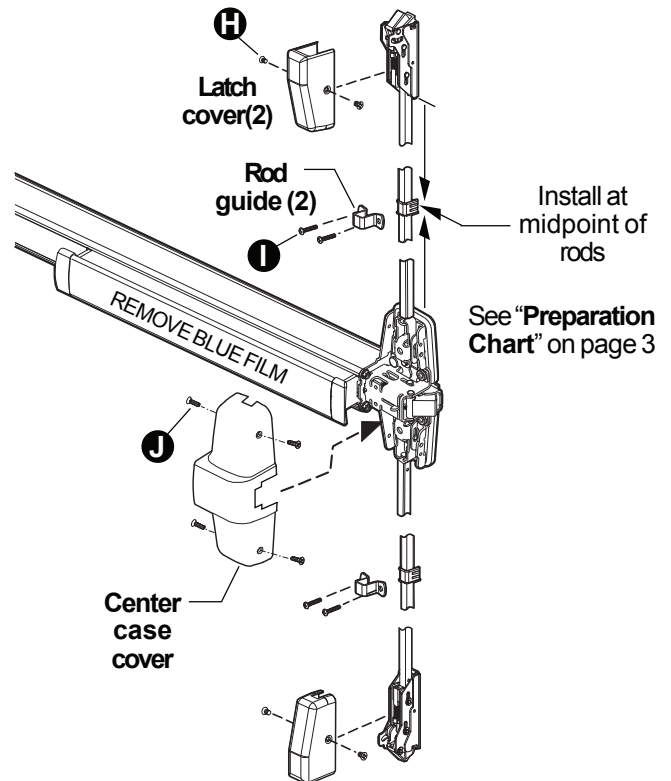
Latch bolt should be **deadlocked** (will not push in)

Open and close door a few times and check for deadlocking when door is closed

Readjust rods if needed

16

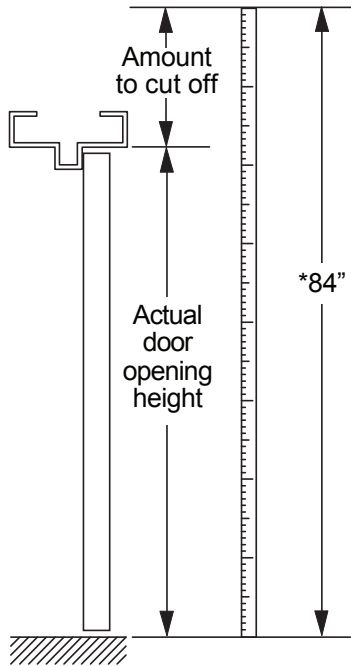
Install rod guides and covers.



CUT TOP ROD

1. Measure amount to cut off rod as shown below.

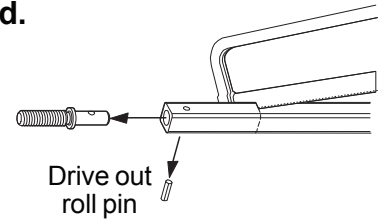
Note: Rod cutting is required for doors shorter than 7'.



*84"

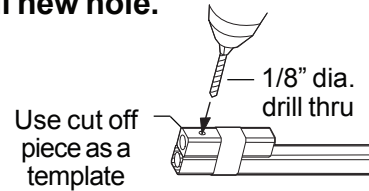
*Rods are factory sized for 7' (84") door. Measure actual door height and subtract that number from 84" to get amount to cut off top rod.

2. Cut rod.



Drive out roll pin

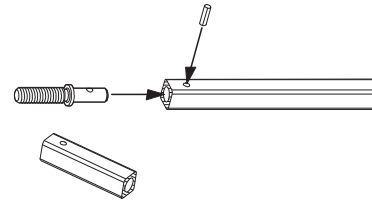
3. Drill new hole.



1/8" dia. drill thru

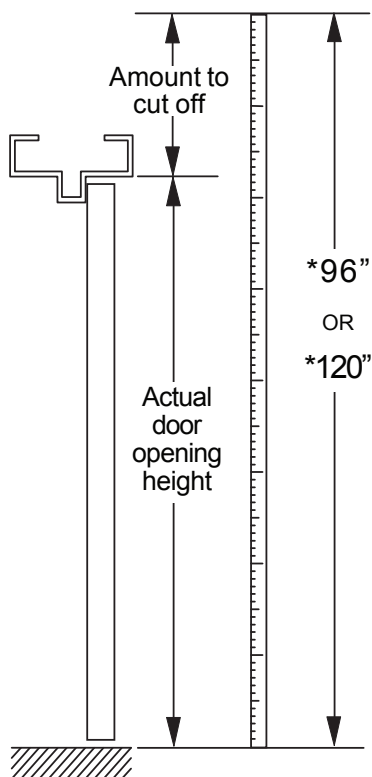
Use cut off piece as a template

4. Reinstall rod end and roll pin.



INSTALL ROD EXTENSION

1. Measure door opening to determine amount to cut off rod extension.



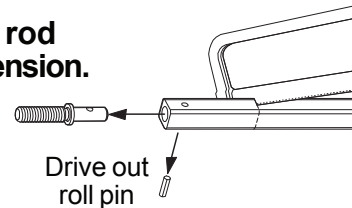
*96"
OR
*120"

*Standard door heights:

With no extension	7' (84")
With 1' extension	8' (96")
With 3' extension	10' (120")

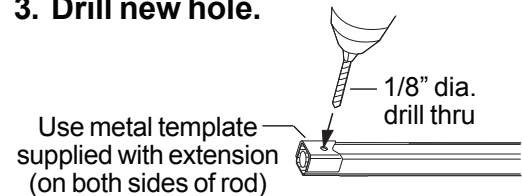
*Rods are factory sized for door heights shown above. Measure actual door height and subtract that number from 96" (for 1' extension) or 120" (for 3' extension) to get amount to cut off extension.

2. Cut rod extension.



Drive out roll pin

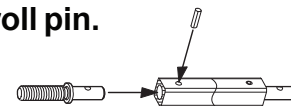
3. Drill new hole.



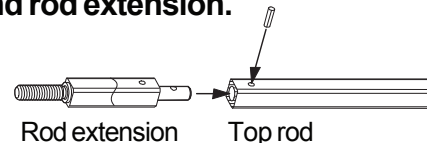
1/8" dia. drill thru

Use metal template supplied with extension (on both sides of rod)

4. Reinstall rod end and roll pin.



5. Connect top rod and rod extension.

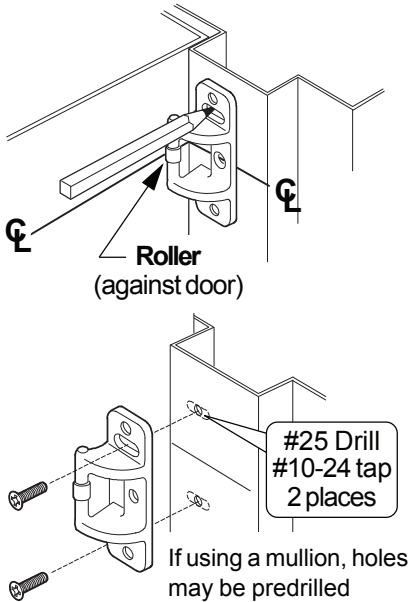


Rod extension Top rod

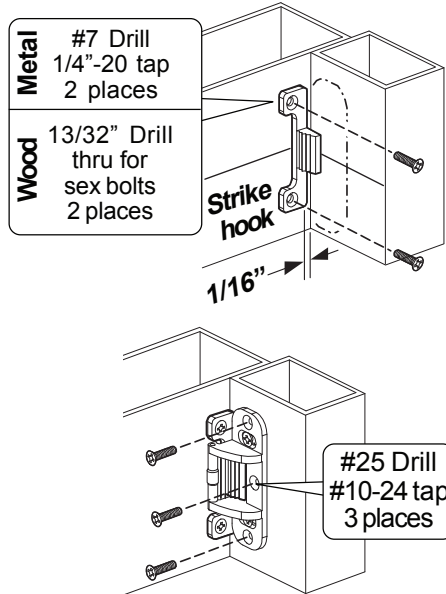
OPTIONAL EQUIPMENT

499F STRIKE INSTALLATION

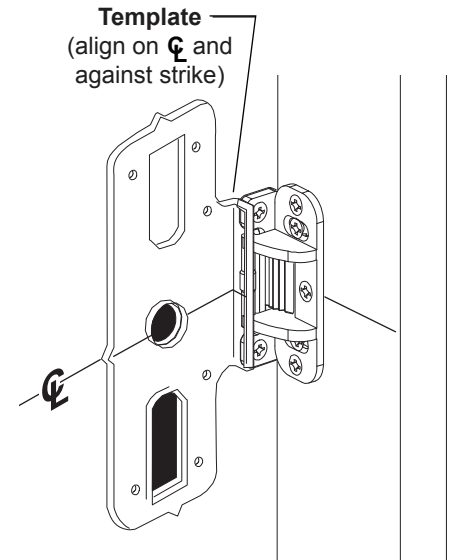
- 1** Prepare and install screws through 2 strike slots.



- 2** Install strike hook and additional strike screws.



- 3** Template aligns as shown.



CD (CYLINDER DOGGING)

1. Remove mortise cylinder cam and reinstall in reverse (Figure 1).
2. Insert key and rotate cam to install the cylinder to the cover plate (Figure 2).
3. Remove key to slide cover plate in position in the mechanism case.

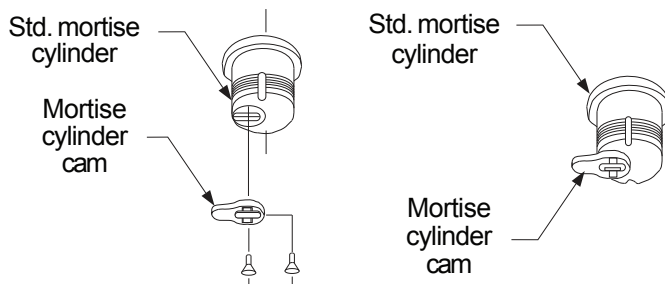


Figure 1

Dogging procedure

Depress pushbar and turn cylinder key clockwise approx. 1/8 turn

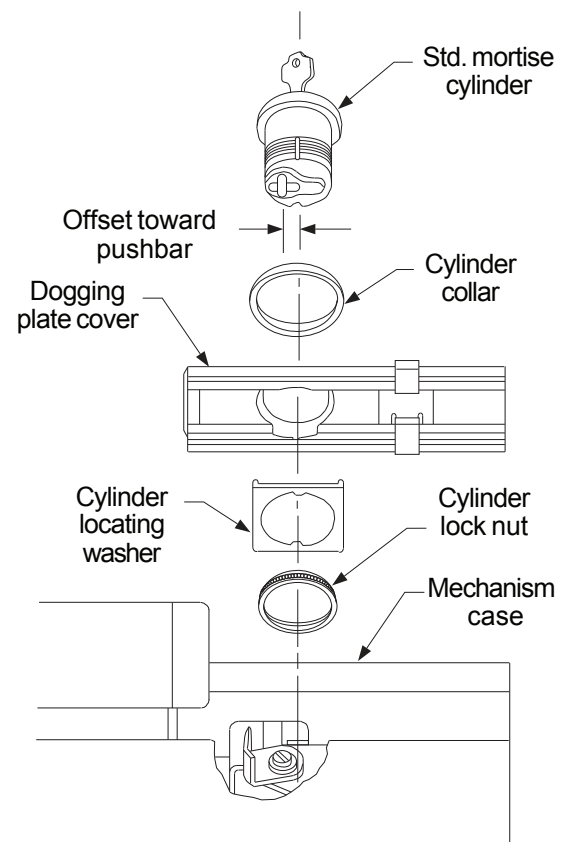
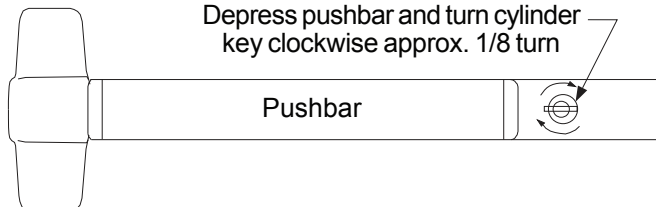
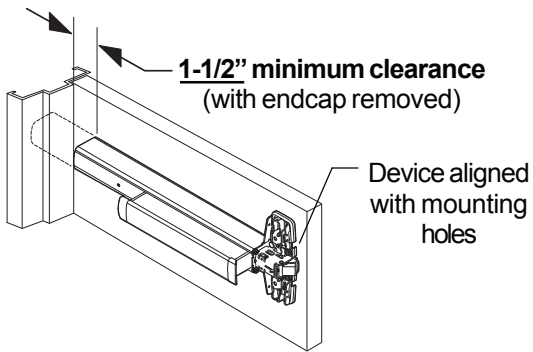


Figure 2

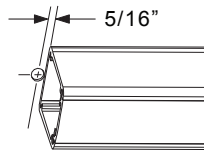
CUT DEVICE

1 Measure amount to cut off device.

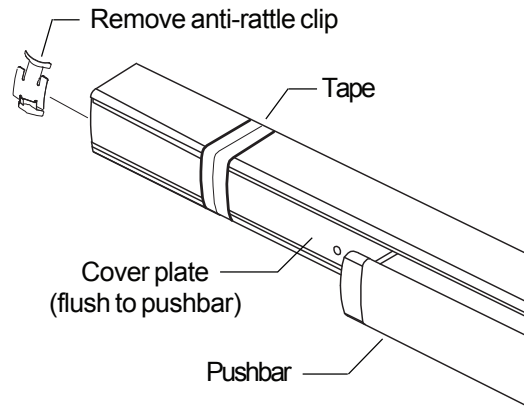


Note

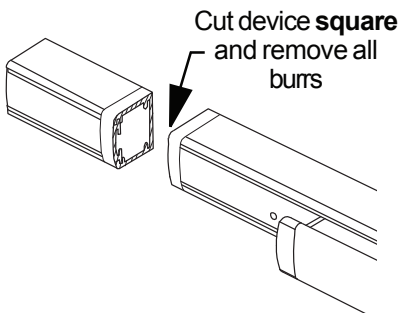
If 5/8" diameter wire access hole has been predrilled in door, cut device 5/16" from center of hole.



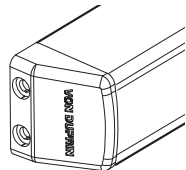
2 Tape and mark area being cut.



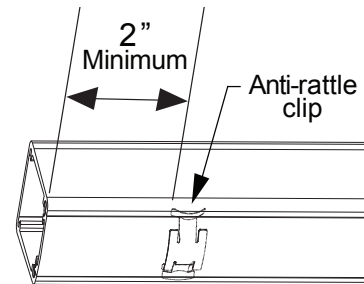
3 Cut device square.



NOTE: Device must be cut **square** for proper end cap fit



4 Slide anti-rattle clip into device.



This page left intentionally blank.

Customer Service

1-877-671-7011 www.allegion.com/us



© Allegion 2015
Printed in U.S.A.
911378-00 Rev. 09/15-e