

VON DUPRIN®

INSTALLATION INSTRUCTIONS

1. Prepare door for exit device. See exit device instructions for holes and center lines.
2. Prepare door for trim:
 - A. Transfer vertical center line from inside (exit device side) of door to outside (trim side) of door. Use extra care if edge of door is beveled. Be sure center line is parallel to edge of door.
 - B. Locate and prepare holes as shown.
3. For NL trim, install cylinder (Figure 1), and install tailpiece guide in exit device cam (Figure 2).
4. Apply trim.
5. Apply device and thru-bolt to trim.

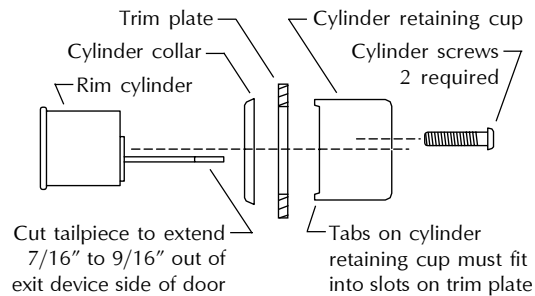


Figure 1

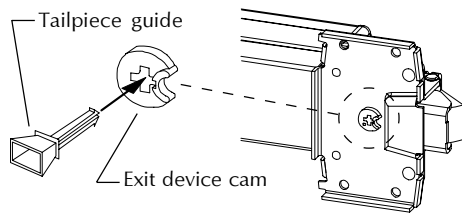
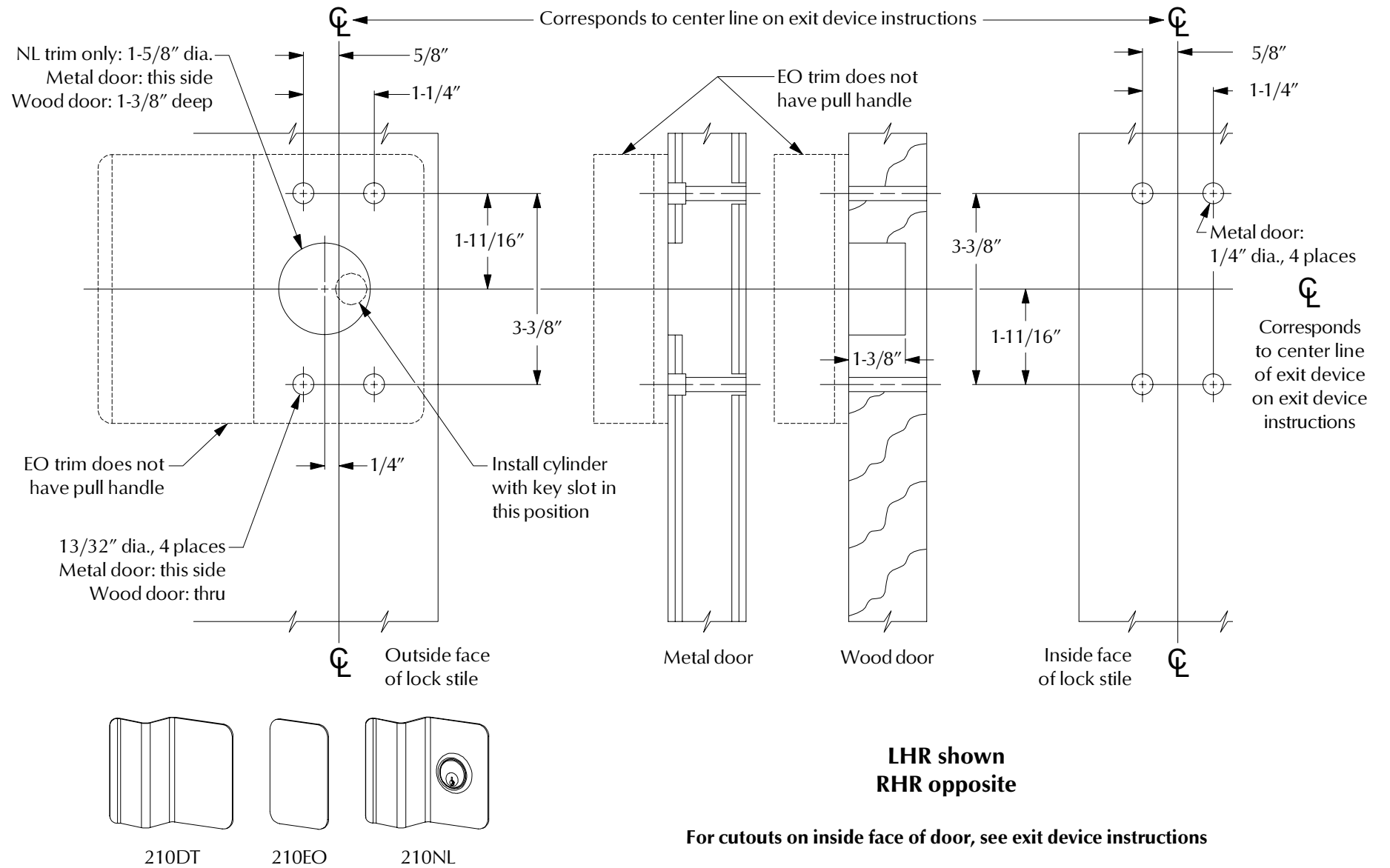


Figure 2



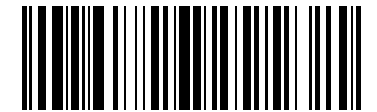
IR Security & Safety
Proven Source. Proven Solutions.™

210DT/EO/NL TRIM

Copyright © 2004 Ingersoll-Rand.
All rights reserved.

PAGE NO.
1 of 1

REVISION
5



921016-00