

Voto 8 Wall

7000WVOT_8_ 1.1



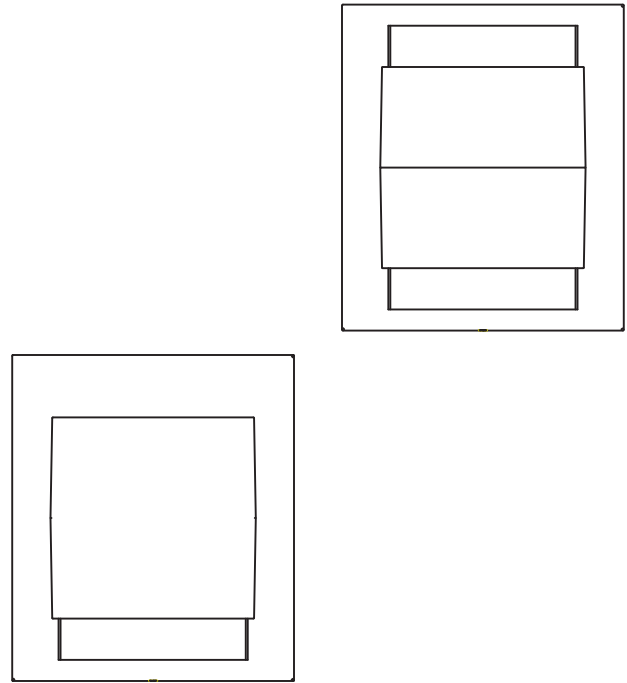
GENERAL PRODUCT INFORMATION:

These fixtures are intended to be installed utilizing NEC compliant junction boxes.



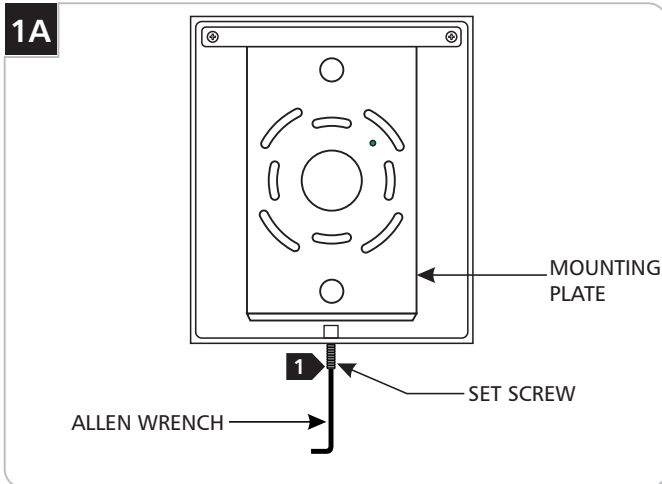
This product may be dimmed with a low-voltage electronic dimmer or a 0-10V dimmer depending on the wiring configuration.

Suitable for wet locations.

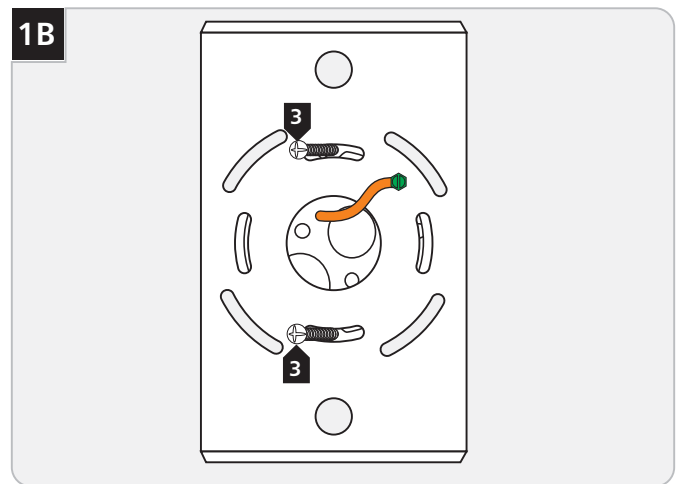


CAUTION - RISK OF FIRE
 This product must be installed in accordance with the applicable installation code by a person familiar with the construction and operation of the product and the hazards involved.
 Use minimum 90°C supply conductors.

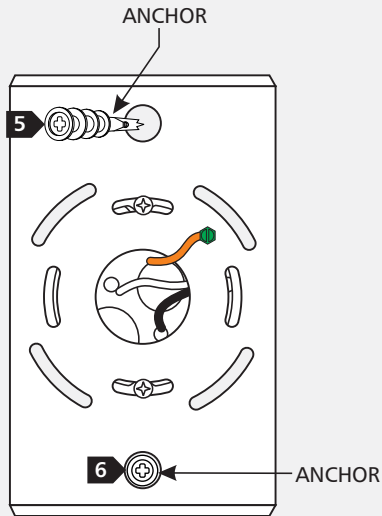
Install the Fixture



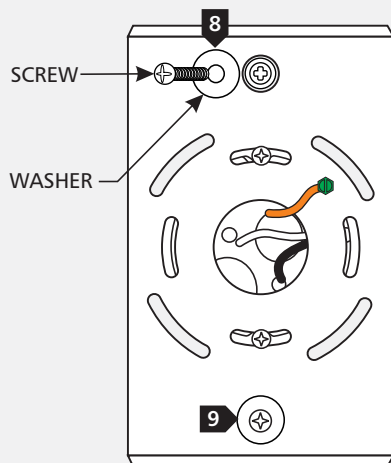
- 1** With the Allen wrench provided, back out (do not fully remove) the set screw at the base of the fixture.
- 2** Remove the mounting plate from the back of the fixture.



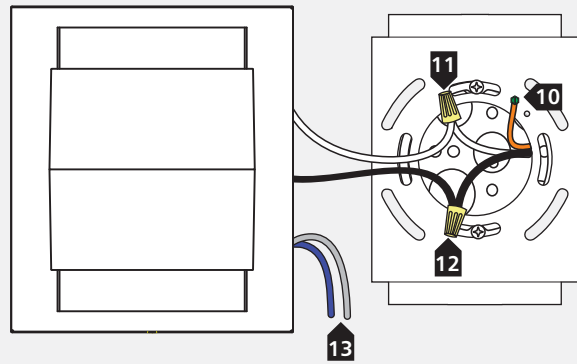
- 3** Attach the mounting plate to the electrical box using the two provided #8-32 screws .

1C

- 4 Ensure that the mounting plate is level before continuing.
- 5 Line up an anchor tip with the center of a mounting plate hole, and push the anchor into the wall up to the threads.
- 6 Screw the anchors in the rest of the way with a Phillips-head screwdriver.
- 7 Repeat steps 5-6 for the other anchor.

1D

- 8 Slide a #8 screw through a washer and screw it into an anchor.
- 9 Repeat for the other anchor to secure the mounting plate to the wall.

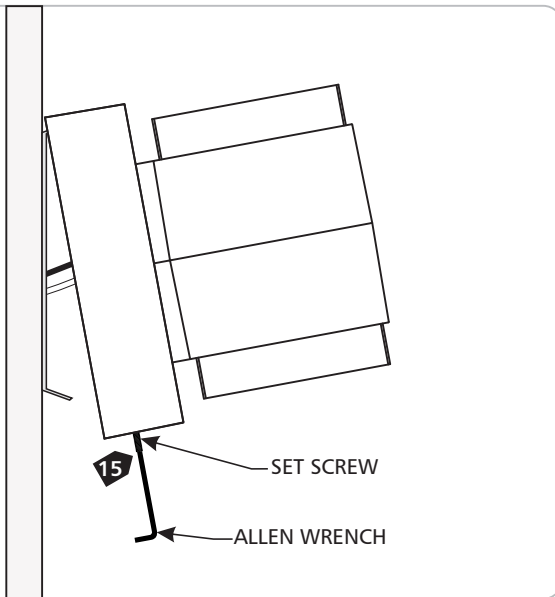
1E

- 10 Connect the backplate wire to a suitable ground in accordance with local electrical codes.
- 11 Connect the white driver wire to the neutral power line.
- 12 Connect the black driver wire to the hot power line.
- 13 Use the gray and purple dimming wires for 0-10v dimming application (if not in use, make sure to cap these wires off).

Warning: The purple and gray wires are only used for 0-10v dimming. For all other applications, do not connect the gray and purple wires.

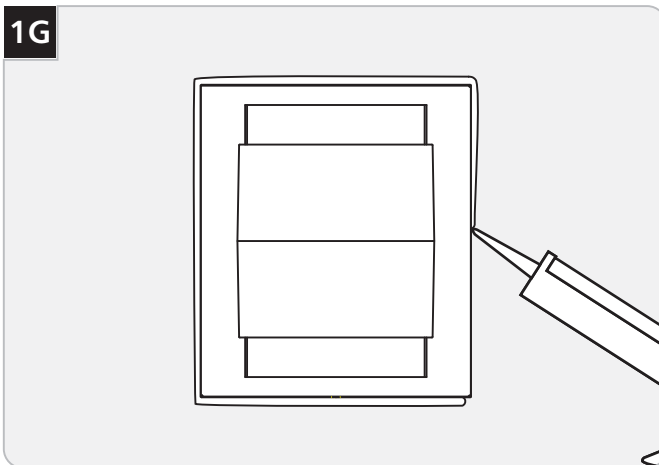
Note for In-Line Fuse equipped fixtures: in the case that the fixture is not operating correctly, make sure to check the fuse.

1F



- 14 Properly place all wires and wire nut connections into the fixture.
- 15 Hook the top of the fixture to the top of the mounting plate and swing the bottom of the fixture toward the plate until it is flush with the wall.
- 16 Tighten the set screw at the bottom of the fixture.

1G



- 17 For wet locations, caulk around the base with waterproof construction sealant.

SAVE THESE INSTRUCTIONS!



TECH LIGHTING®

7400 Linder Ave, Skokie, IL 60077

847.410.4400

www.techlighting.com

© 2017 Tech Lighting, L.L.C. All rights reserved. The "Tech Lighting" graphic is a registered trademark of Tech Lighting, L.L.C. Tech Lighting reserves the right to change specifications for product improvements without notification.

A Generation Brands Company