

Entra CL3 Round or Square Type IC, Air-tight New Construction Adjustable LED Housing

ENCL3_

1.3

 **TECH LIGHTING®**

ENTRA

GENERAL PRODUCT INFORMATION:



This product is suitable for indoor locations.

This product can be dimmed with a standard electronic dimmer.

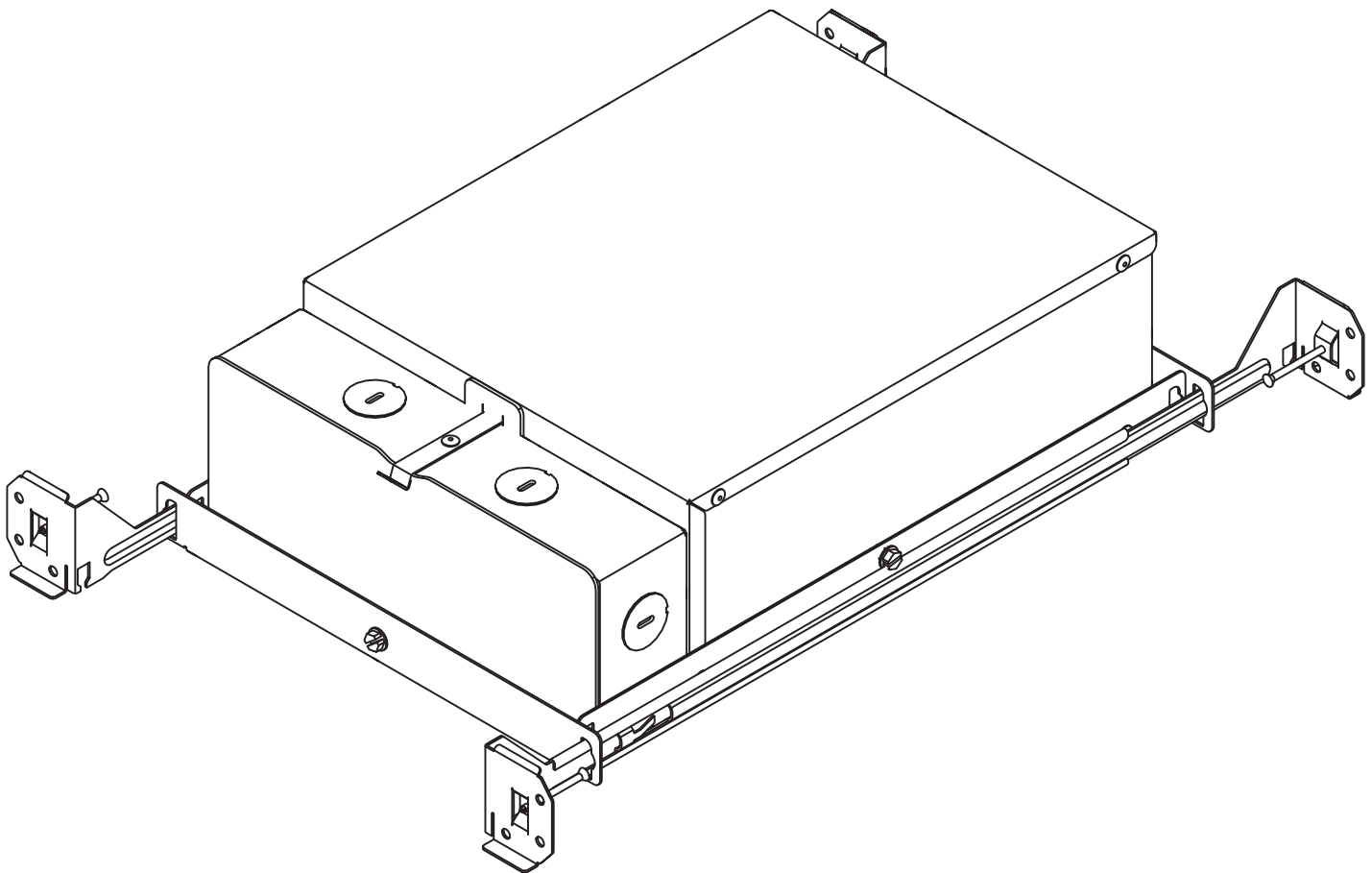
This instruction shows a typical installation.

CAUTION - RISK OF FIRE

This product must be installed in accordance with the applicable installation code by a person familiar with the construction and operation of the product and the hazards involved.

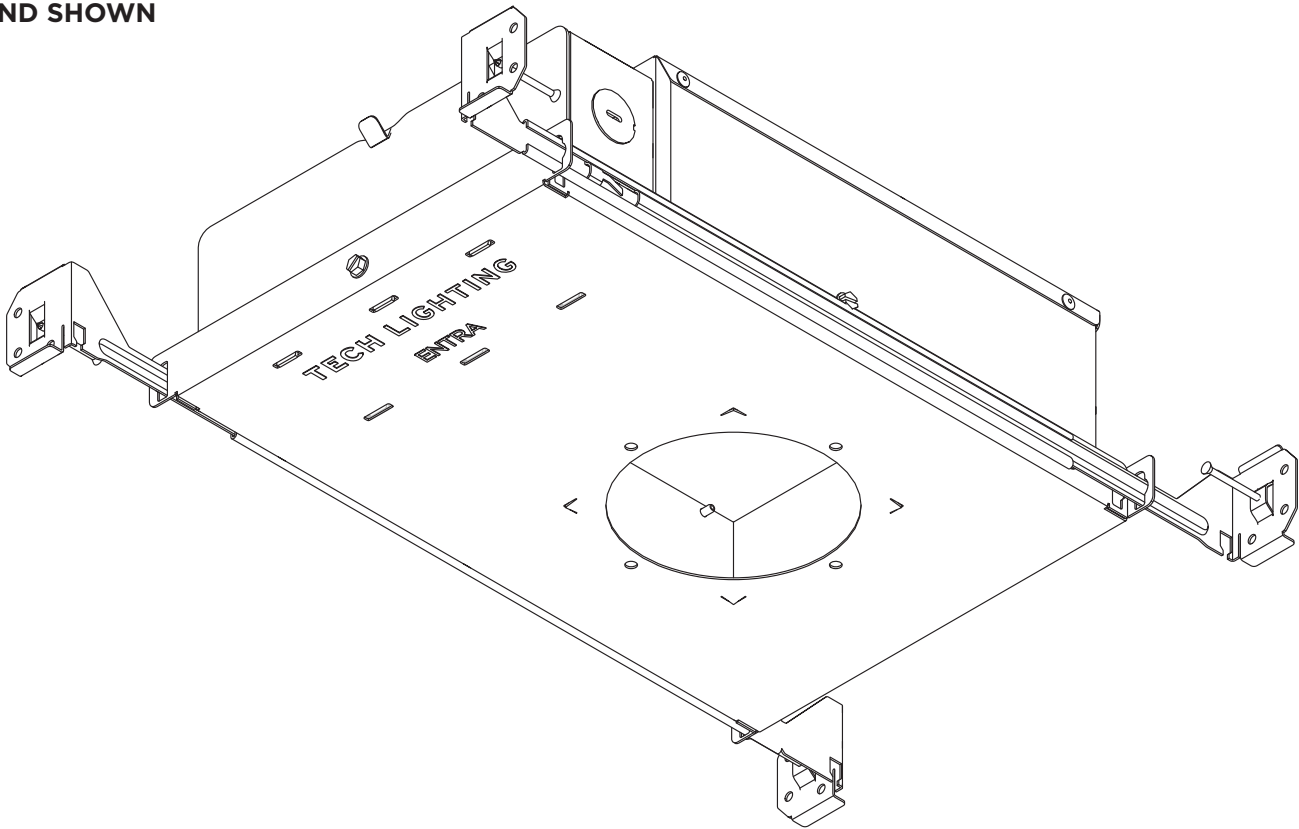
Use minimum 90°C supply conductors.

SAVE THESE INSTRUCTIONS!

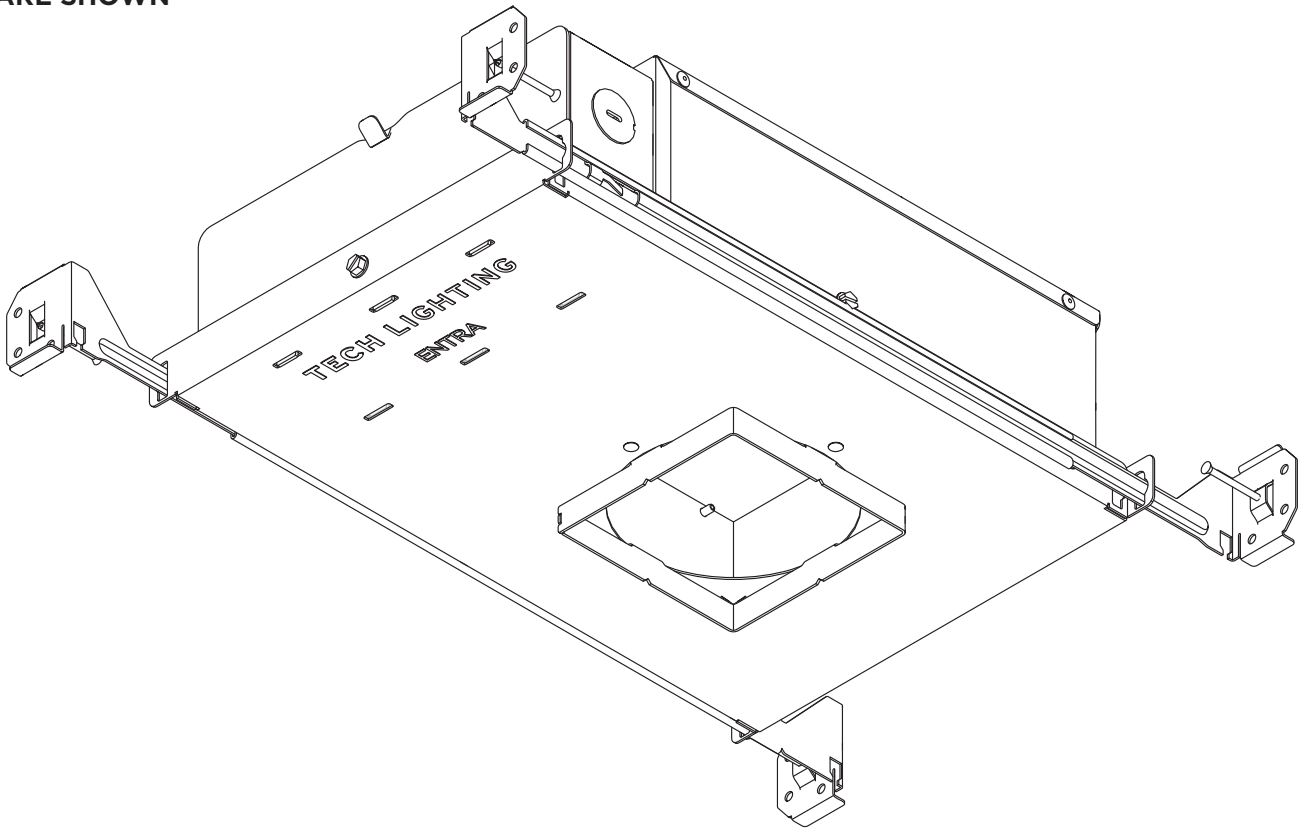


NOTE: Round housing does not utilize a collar.

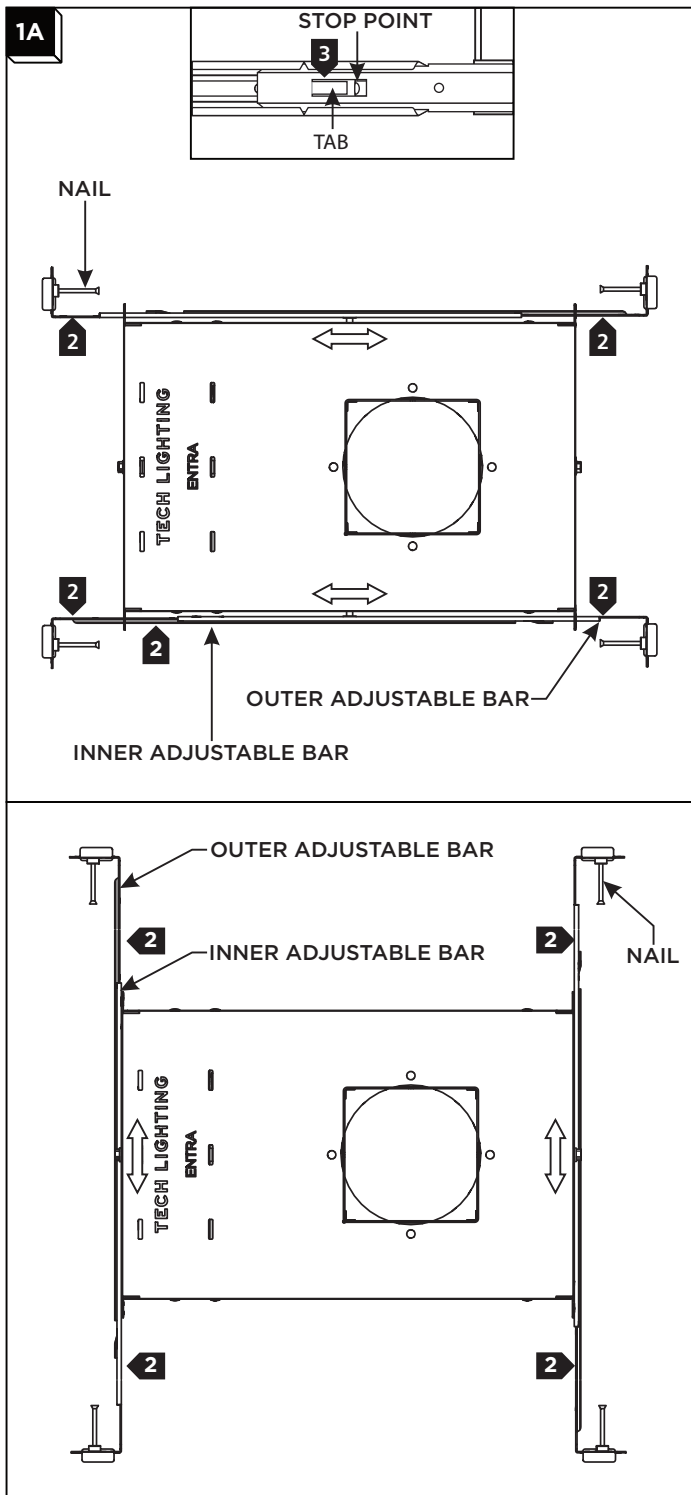
ROUND SHOWN



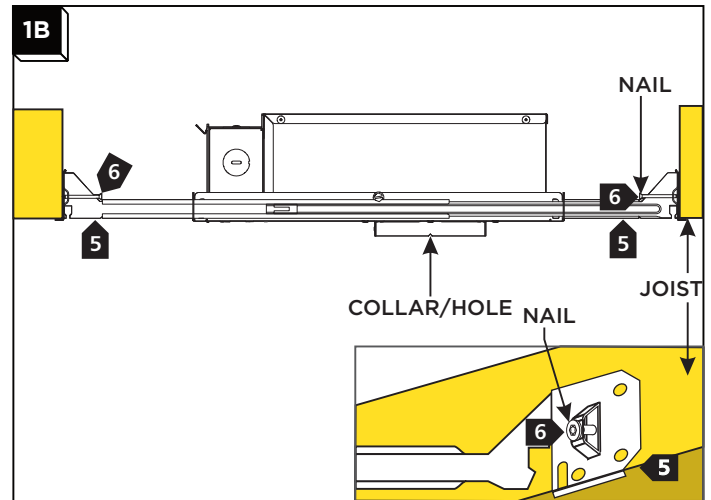
SQUARE SHOWN



Install the Housing with Adjustable Bars



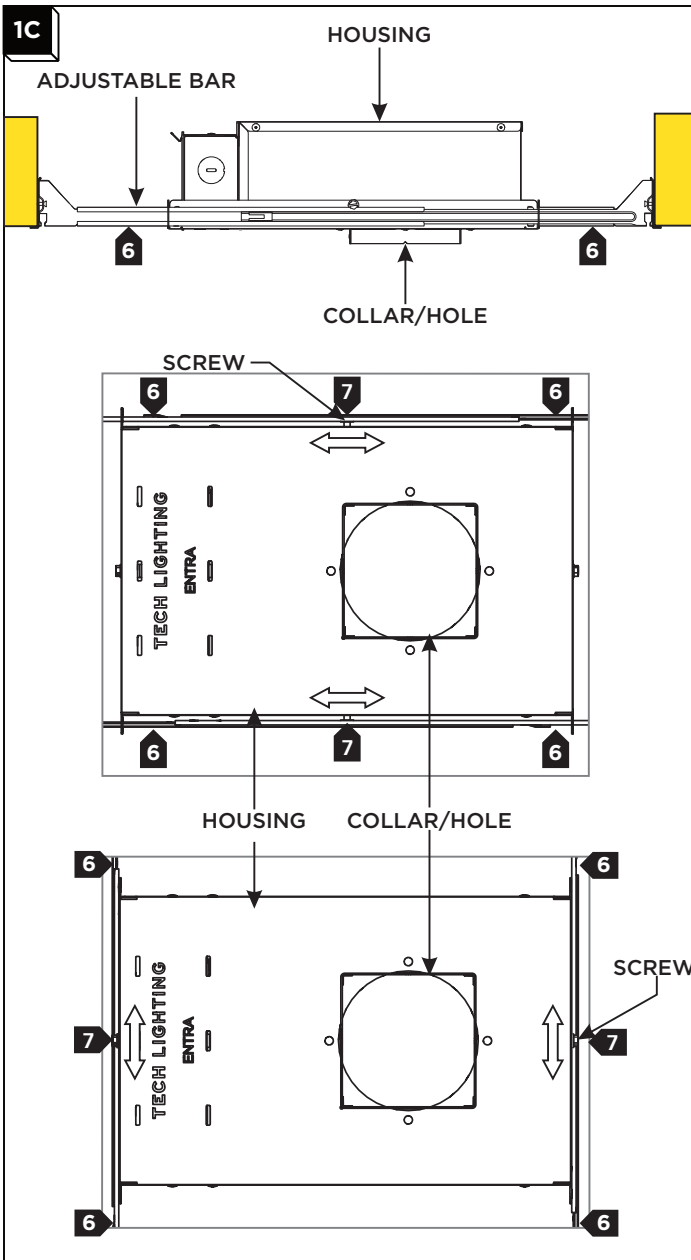
- 1** Determine which direction the adjustable bars need to be mounted, they can either be mounted horizontally or vertically.
- 2** Slide the inner adjustable bar completely through the two slots. Make sure flange at bottom of hanger bar ends is orientated with the bottom of the housing.
- 3** Slide and push the outer adjustable bar completely onto the inner adjustable bar so that the tab clicks into place behind the stop point. This will prevent the adjustable bars from coming apart.
- 4** Repeat steps 1 & 2 for the other side of the housing.



NOTE: The adjustable bars can be mounted to joists that are spaced 16" - 24" apart.

- 5** Align the bottom of the end plates with the bottom of the ceiling joists.
- 6** Level the adjustable bars and, with a hammer, tap the nails completely into the joists to secure the adjustable bars in place.

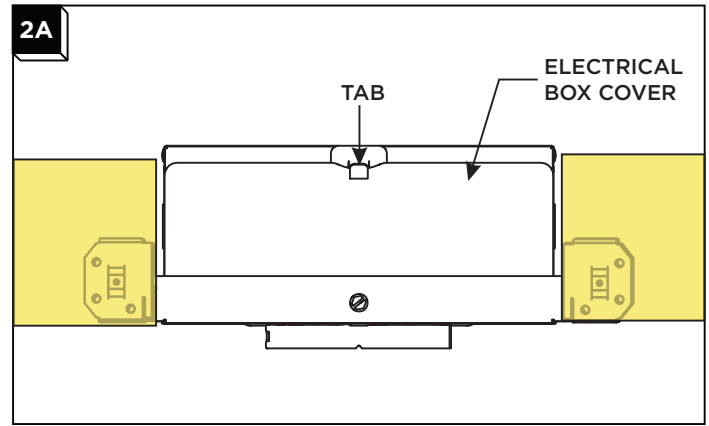
Connect Power to the Housing



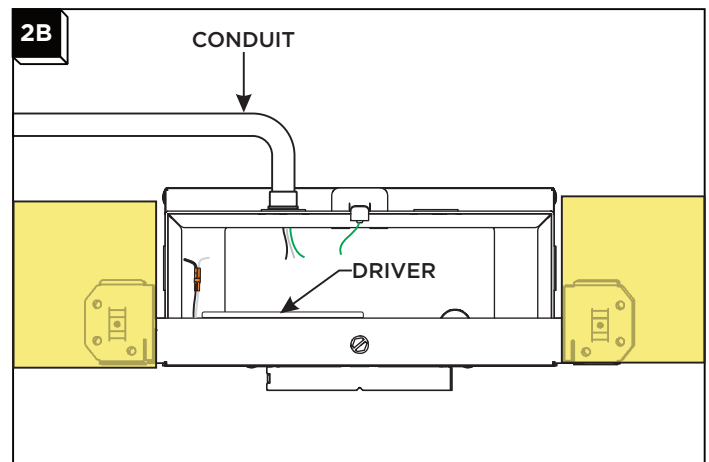
- 6 Adjust the collar's/hole's position (**horizontal position**) by sliding the housing on adjustable bars.
- 7 When the desired location is achieved, tighten the screws to lock the housing onto the adjustable bars.

NOTE: Round housing has a round hole only. No collar is required.

NOTE: Notches in collar can be used to align multiple housings using a laser or string.



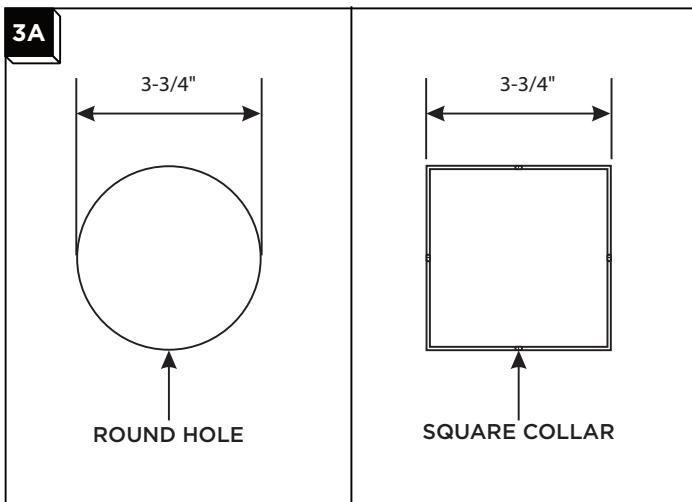
- 1 Push the tab on the housing electrical box up and remove the electrical box cover.



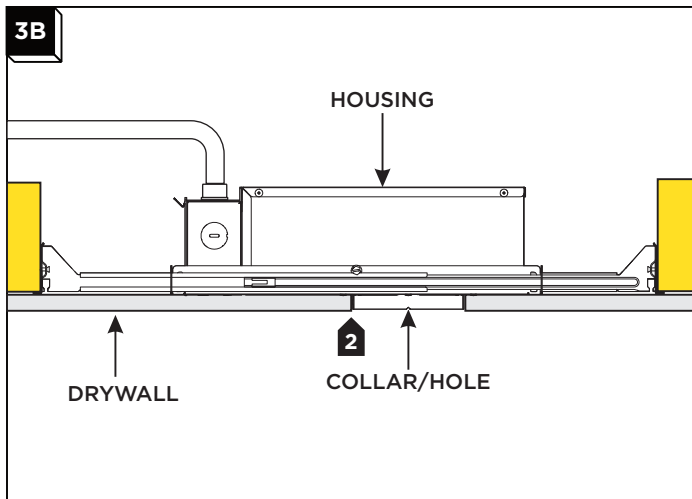
- 2 Install the conduit to the housing electrical box.
- 3 Run the power line wires into the housing electrical box.
- 4 Use the thermally conductive tape to adhere the driver to the bottom of the housing. Peel the backing off both sides of the tape to ensure adhesion.
- 5 Use the following wiring diagram to wire your fixture.
- 6 Make sure to cap 0-10V dimming wires if not being used.



Install Drywall

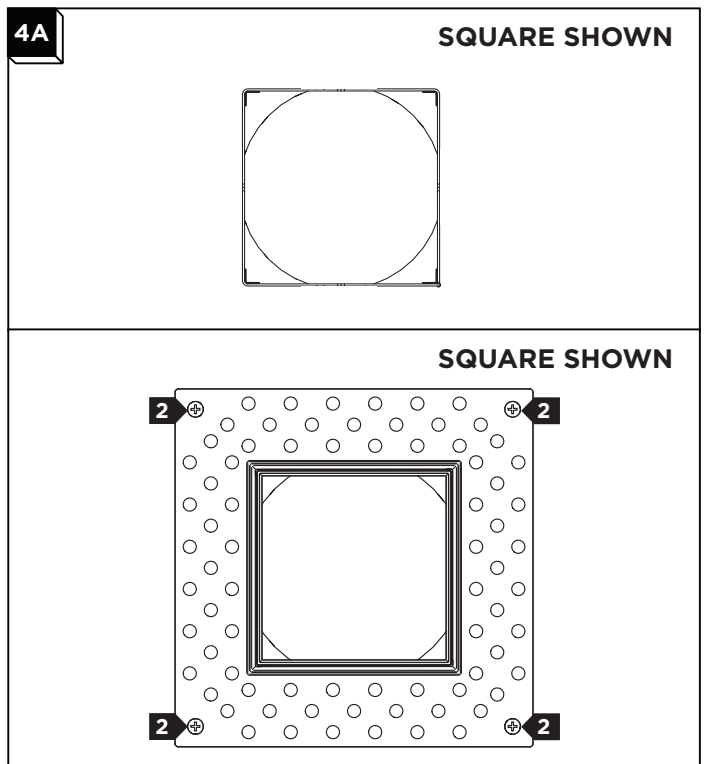


- 1** Mark an appropriate sized diameter circle or square on drywall. Cut out the marked section. **Note:** The drywall may be cut by running a 1/8" RotoZip around the outside of the collar or inside round hole.

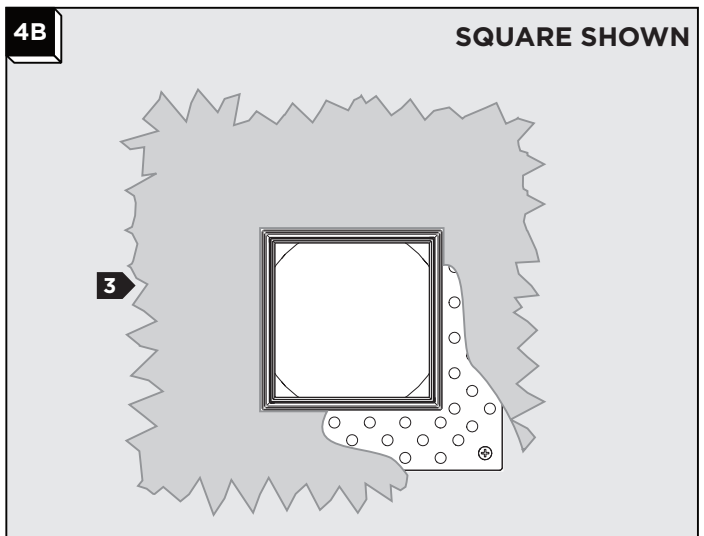


- 2** Align the cut out section of drywall with the collar/hole and install drywall.

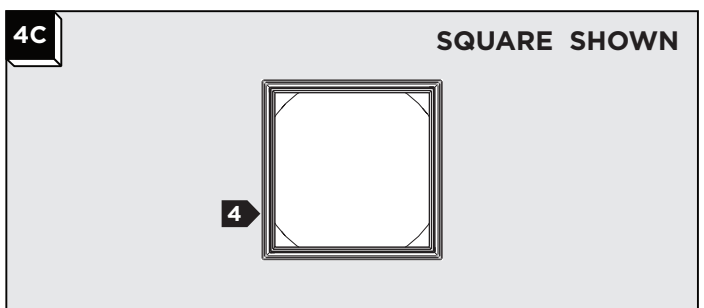
Install the Plaster Ring (Flangeless Version Only)



- 2** Install the provided 6x20 self-drilling screws through the plaster plate and housing at the marked locations. Do not place screws at any of the other mud holes on the plate.

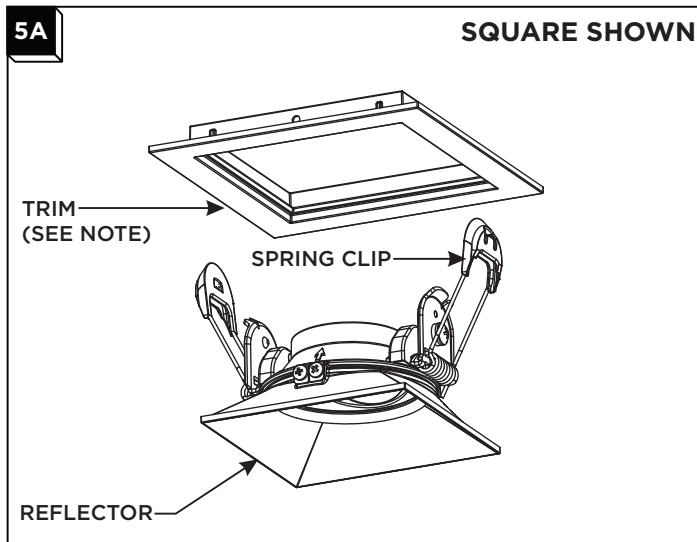


- 3** Properly plaster onto the plaster ring and drywall.



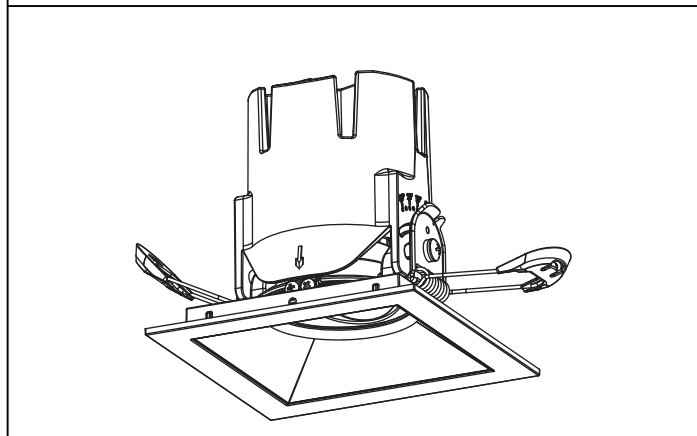
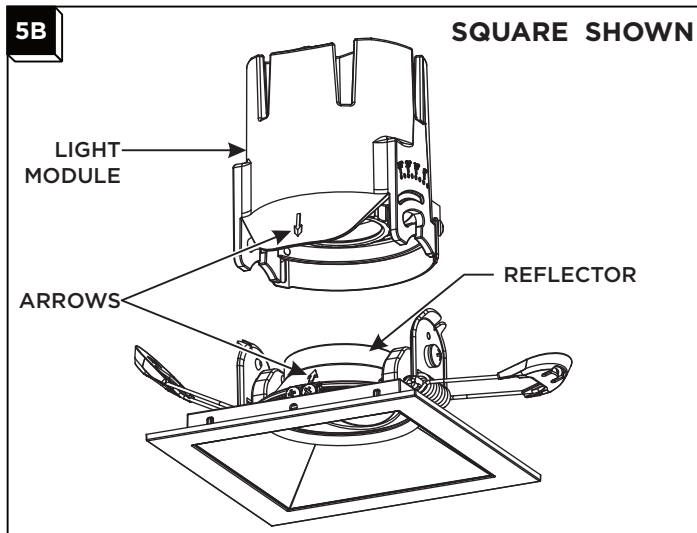
- 4** Finish around the fixture to match drywall.

Assemble the Fixed or Adjustable Trim/Light Module



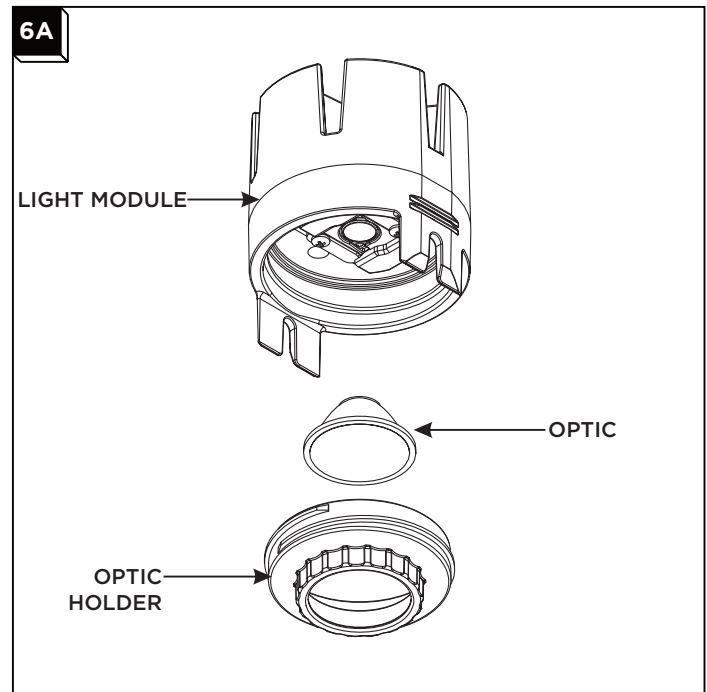
NOTE: Trim is included with flanged versions only. Skip this step for flangeless versions where plaster ring is provided.

- 1 Press the spring clips inward and feed the reflector through the trim until they snap together.



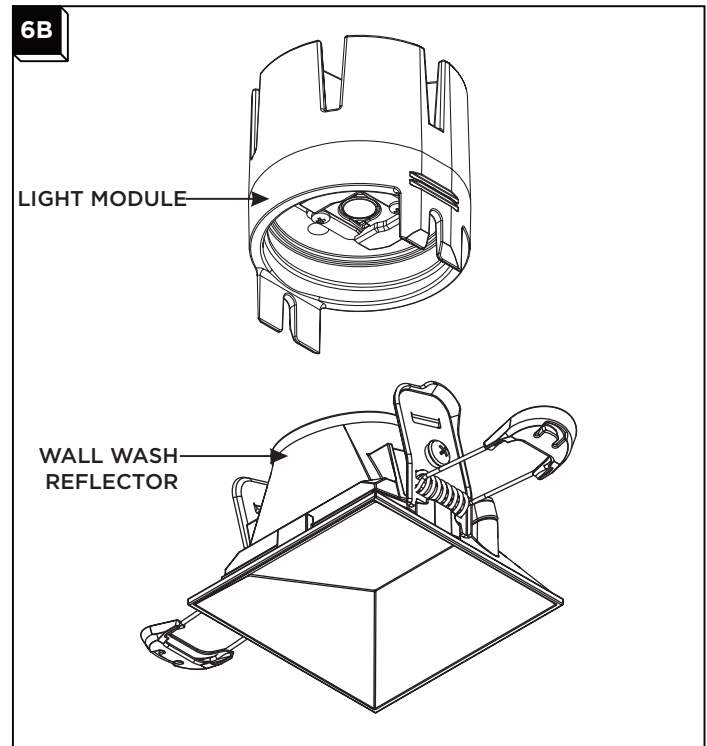
- 2 Carefully snap light module and reflector together. Alignment arrows are provided on the adjustable versions. Directional alignment is not required for fixed Versions.

Assemble the Wall Wash Light Module



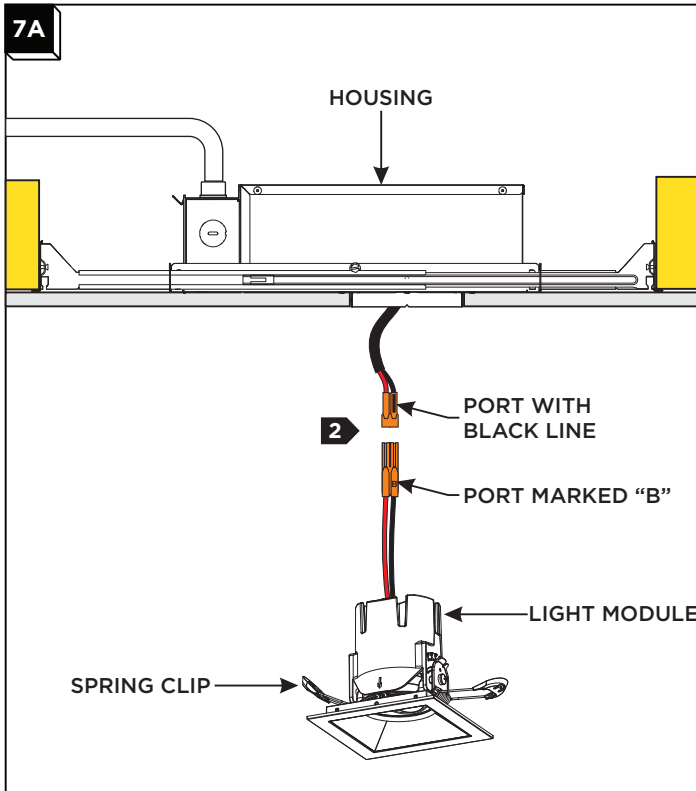
- 1 Remove and discard optic holder and optic from fixed light module.

NOTE: Trim is included with flanged versions only. Skip this step for flangeless versions where plaster ring is provided.

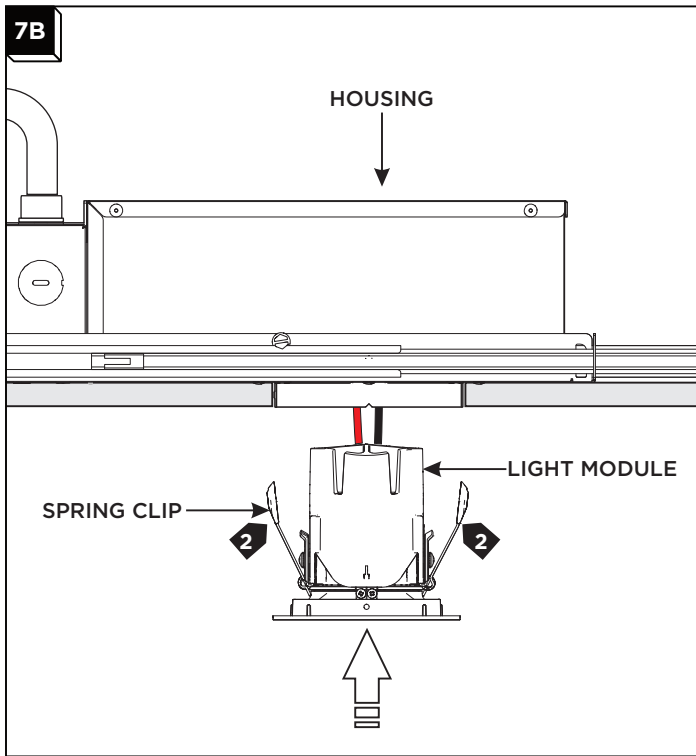


- 2 Snap light module and wall wash reflector together

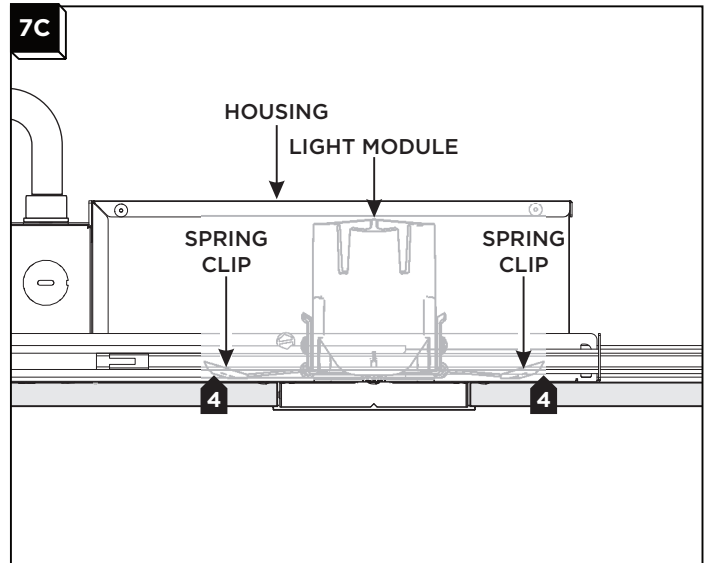
Install the Light Module



- 1 Connect the jumper cable to the housing wire making sure the port marked "B" is paired with the port with a black line.



- 2 Push the spring clips inward.
- 3 Insert the light module through the collar/hole and into housing.

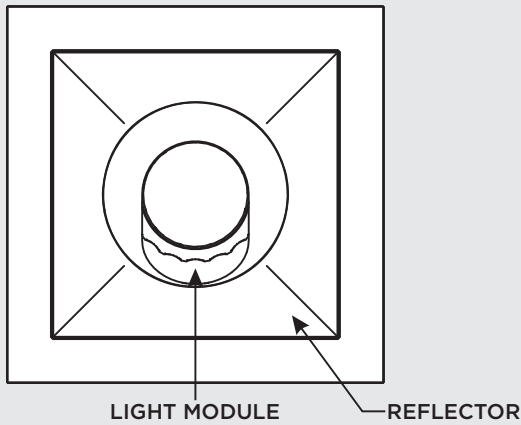


- 4 Release the spring clips to secure in place

Adjust the Module (Adjustable Versions Only)

8A

SQUARE ADJUSTABLE SHOWN



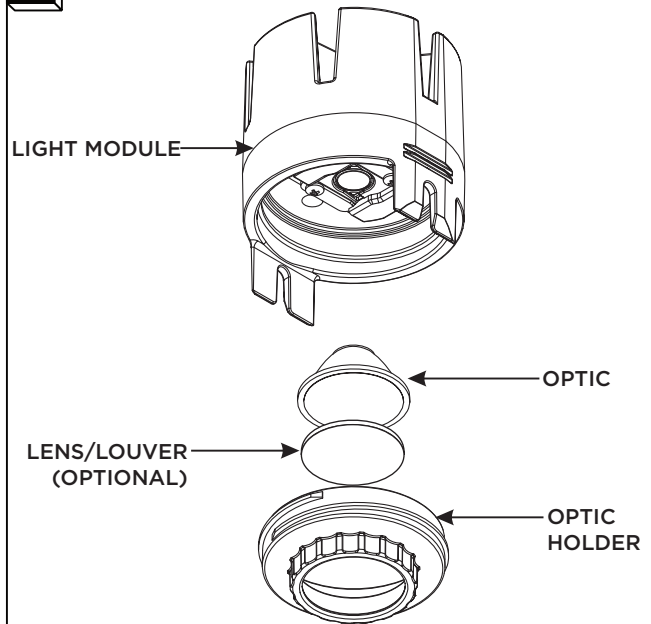
- 1 Using your fingers, adjust the direction of the light making sure to turn the module not the reflector (see note below).

NOTE: The light module may be rotated up to 45 degrees when inside the housing. Remove the module from the housing to rotate another 45 degrees if necessary, then carefully reinstall the module into the housing.

Install or Replace Optics and Lenses/Louvers

NOTE: Warm Dim Units include optional lens for installation at the light engine aperture for optimal color mixing, see step 9A of the Instructions below.

9A



- 1 Unscrew and remove the optic holder from the light module.
- 2 Remove the old optic.
- 3 If installing a lens or louver, remove the rubber gasket from the optic holder to allow room for lens or louver installation. If not installing a lens or louver, skip this step. **NOTE: Only one lens or louver may be installed at a time. Warm Dim Light Module ships standard with diffusing Lens, recommended for optimal color mixing.**
- 4 Install the new optic into the optic holder.
- 5 Make sure the lens, louver, optic or gasket are properly seated in the optic holder, then screw the optic holder back onto the light module

 **TECH LIGHTING**

7400 Linder Ave., Skokie, IL 60077
T 847.410.4400 | F 847.410.4500
www.techlighting.com