

DUELLE LARGE WALL SCONCE

PRODUCT FEATURES

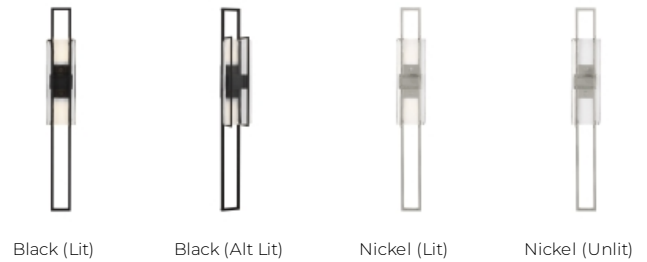
- Pressed glass diffuses concealed LED light shining up or down
- ADA Compliant
- Fully dimmable integrated LED lamp
- Provides up and down light
- This item is made of natural brass. It is a living finish that will patina and warm with age which adds richness. If it gets an uneven patina or spots, a brass cleaner can restore the finish
- Protected by a 5-year warranty. Please visit the "About Us" Page on techlighting.com for more for warranty details



LAMPING

Includes 14.8 watt, 856 delivered lumens, 2700K LED module. 120V dimmable with most LED compatible ELV and TRIAC dimmers. 277V compatible with 0-10V dimmers. Mounts vertically only, up and downlight. ADA compliant.

Natural Brass (Alt Lit)



To view all available finish options, please visit techlighting.com

ORDERING INFORMATION

700WSDUE LENGTH (A)	FINISH	LAMP
28.28"	NB NATURAL BRASS	-LED927 INTEGRATED LED 90 CRI 2700K 120V
	B NIGHTSHADE BLACK	-LED927-277 INTEGRATED LED 90 CRI 2700K 277V
	N POLISHED NICKEL	

700WSDUE _____

JOB NAME _____

NOTES _____

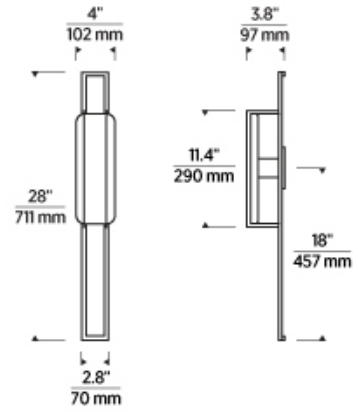


DUELLE LARGE WALL SCONCE



SPECIFICATIONS

PRIMARY MATERIAL	Steel Or Brass
SHADE MATERIAL	Glass
NET WEIGHT	8.5 lbs
HEIGHT	28in
WIDTH	3.8in
LENGTH	4in
MIN. EXTENSION FROM WALL	3.8in
UP LIGHT / DOWN LIGHT / BOTH?	
WET LISTED	
DAMP LISTED	Yes
DRY LISTED	
UP / DOWN	
HORIZONTAL / VERTICAL	
WALL / CEILING MOUNT	
GENERAL LISTING	ETL Listed
ADA COMPLIANT	
INCLUDES	



LAMPING SPECIFICATIONS

	LED LAMP	INTEGRATED LED	NON LED	NO LAMP
DELIVERED LUMENS		856		
WATTS		14.8		
MAX WATTAGE PER BULB		14.8W		
INPUT VOLTAGE/ DIMMING TYPE		120V ELV, TRIAC 277V 0-10V		
CCT		2700K		
CRI		90 CRI		
LED LIFETIME				
L70		>50000		
AVERAGE BULB HOURS				
FIELD SERVICEABLE LED				
LAMP BASE		Integrated LED		
LAMP SHAPE		Integrated LED		
LAMP INCLUDED?		True		
WARRANTY**		5 Years		

*Dimming information available at www.techlighting.com/Downloads#dimming
 ** Visit techlighting.com for specific warranty limitations and details.

T20 / T24 / JA8 INFORMATION

	Integrated LED	Replacement LED Lamp	No Lamp *
This product can be used to comply with California Building Energy Efficiency Standards 2016 Title 24 Part 6 / JA8.	Yes		
This product can be used to comply with California Appliance Efficiency Standards 2016 Title 20 and may be shipped to and sold in California.	N/A		

* If a light fixture or component does not include a lamp or light source, it is the responsibility of the customer to select a lamp that meets the T24 and T20 requirements.

