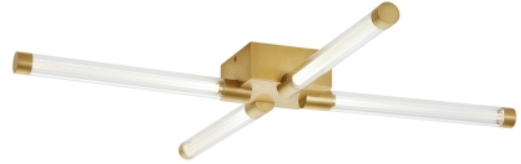


PHOBOS WIDE FLUSH MOUNT

PRODUCT FEATURES

- Laser etched tubing to diffuse light surrounded by clear borosilicate glass
- Fully dimmable integrated LED lamp
- This item is made of natural brass. It is a living finish that will patina and warm with age which adds richness. If it gets an uneven patina or spots, a brass cleaner can restore the finish
- Protected by a 5-year warranty. Please visit the "About Us" Page on techlighting.com for more for warranty details



LAMPING

Includes 120 or 277 volt 22.4 watts, 1068 delivered lumens, 90 CRI 2700K LED module. 120V dimmable with most LED compatible ELV and TRIAC dimmers. 277V dimmable with 0-10V dimmers. Ceiling mount only.

Natural Brass



Natural Brass

Dark Bronze

ORDERING INFORMATION

700FMPHB LENGTH (A)	FINISH	LAMP
28.28"	BZ DARK BRONZE	-LED927 INTEGRATED LED 90 CRI 2700K 120V
	NB NATURAL BRASS	-LED927-277 INTEGRATED LED 90 CRI 2700K 277V

700FMPHB _____

JOB NAME _____

NOTES _____

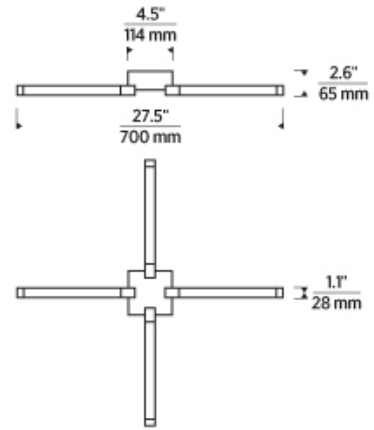


PHOBOS WIDE FLUSH MOUNT



SPECIFICATIONS

PRIMARY MATERIAL	Brass
SHADE MATERIAL	Glass
NET WEIGHT	5 lbs
HEIGHT	2.6in
WIDTH	27.5in
LENGTH	27.5in
UP LIGHT / DOWN LIGHT / BOTH?	
WET LISTED	
DAMP LISTED	Yes
DRY LISTED	
WALL / CEILING MOUNT	
GENERAL LISTING	ETL Listed
INCLUDES	



LAMPING SPECIFICATIONS

	LED LAMP	INTEGRATED LED	NON LED	NO LAMP
DELIVERED LUMENS		1068		
WATTS		22.4		
MAX WATTAGE PER BULB		22.4W		
INPUT VOLTAGE/ DIMMING TYPE		120V ELV, TRIAC 277V 0-10V		
CCT		2700K		
CRI		90 CRI		
LED LIFETIME				
L70		>50000		
AVERAGE BULB HOURS				
FIELD SERVICEABLE LED				
LAMP BASE		Integrated LED		
LAMP SHAPE		Integrated LED		
LAMP INCLUDED?		True		
WARRANTY**		5 Years		

*Dimming information available at www.techlighting.com/Downloads#dimming
 ** Visit techlighting.com for specific warranty limitations and details.

T20 / T24 / JA8 INFORMATION

	Integrated LED	Replacement LED Lamp	No Lamp *
This product can be used to comply with California Building Energy Efficiency Standards 2016 Title 24 Part 6 / JA8.	Yes		
This product can be used to comply with California Appliance Efficiency Standards 2016 Title 20 and may be shipped to and sold in California.	N/A		

* If a light fixture or component does not include a lamp or light source, it is the responsibility of the customer to select a lamp that meets the T24 and T20 requirements.

