



GENERAL PRODUCT INFORMATION:



These fixtures are intended to be installed utilizing NEC compliant junction boxes.

This product is suitable for damp or wet locations.

This product can be dimmed with a low-voltage electronic dimmer.

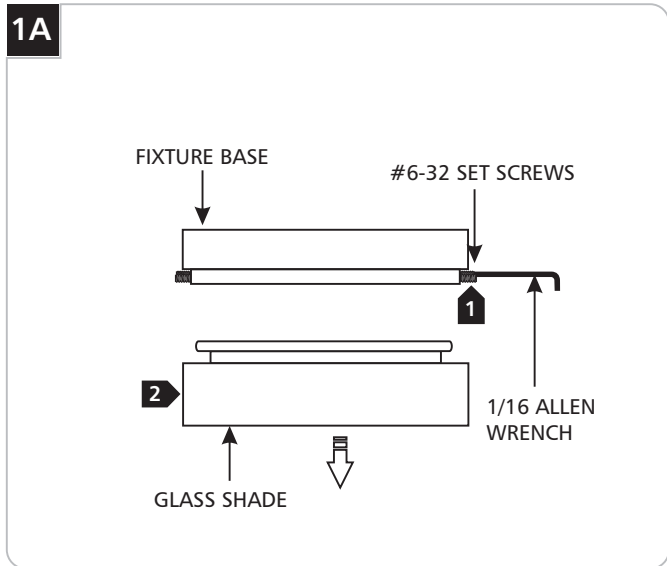
This product may be ceiling or wall mounted.

This instruction shows a typical installation.

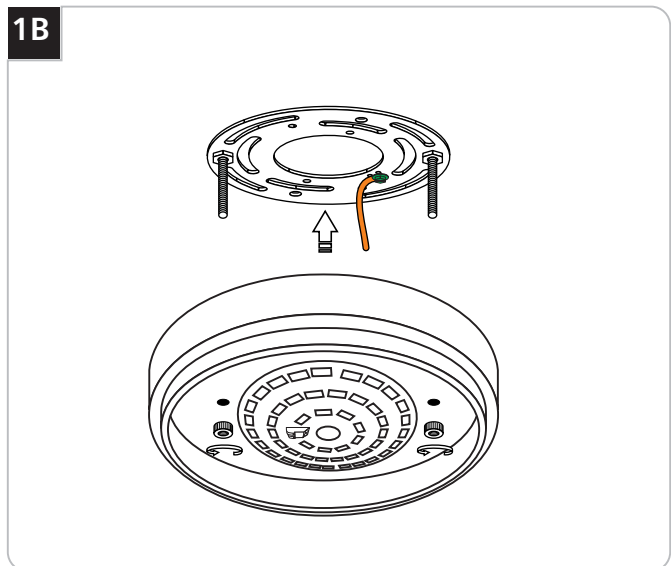


CAUTION - RISK OF FIRE
This product must be installed in accordance with the applicable installation code by a person familiar with the construction and operation of the product and the hazards involved.
Use minimum 90°C supply conductors.

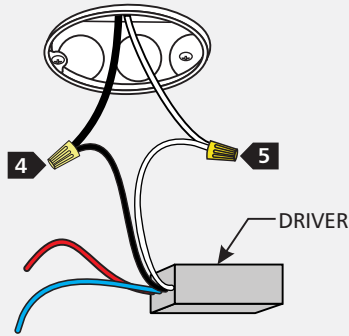
Install the Fixture Base



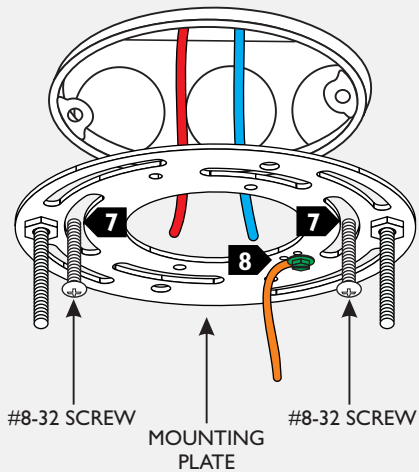
- 1 While supporting the glass shade, loosen (**Do Not Remove**) the four #6-32 set screws on the fixture base with the 1/16 Allen wrench.
- 2 Carefully remove the glass out of the fixture base.



- 3 Remove the mounting plate from the assembly by unscrewing the two knurled nuts.

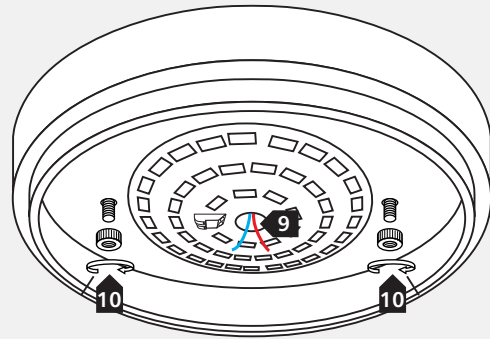
1C

- 4 Connect the black driver wire to the hot power line wire with a wire nut.
- 5 Connect the white driver wire to the neutral power line wire with a wire nut.

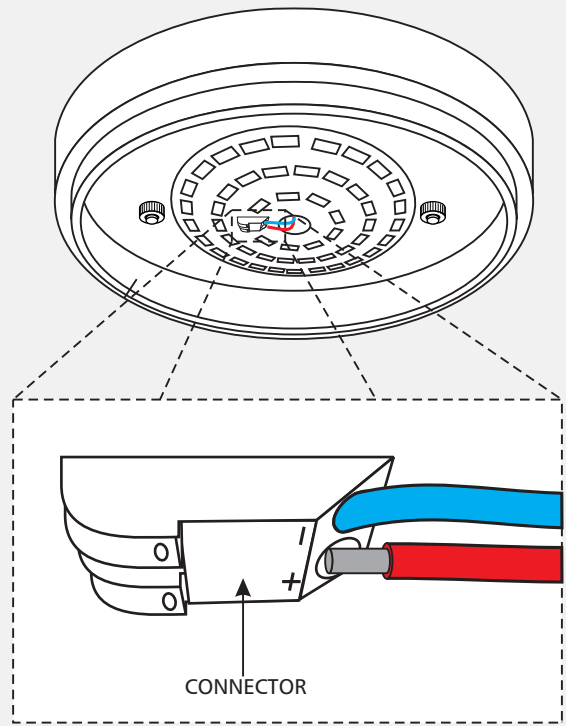
1D

- 6 Properly place the driver and wire connections into the electrical box.
- 7 Secure the mounting plate to the electrical box with 2 #8-32 screws, leaving the red driver wires accessible.
- 8 Ground the mounting plate to a suitable ground in accordance with local electrical codes.

NOTE: Install the mounting plate so that the studs are parallel or perpendicular to the walls, this will ensure that the fixture is oriented to the room.

1E

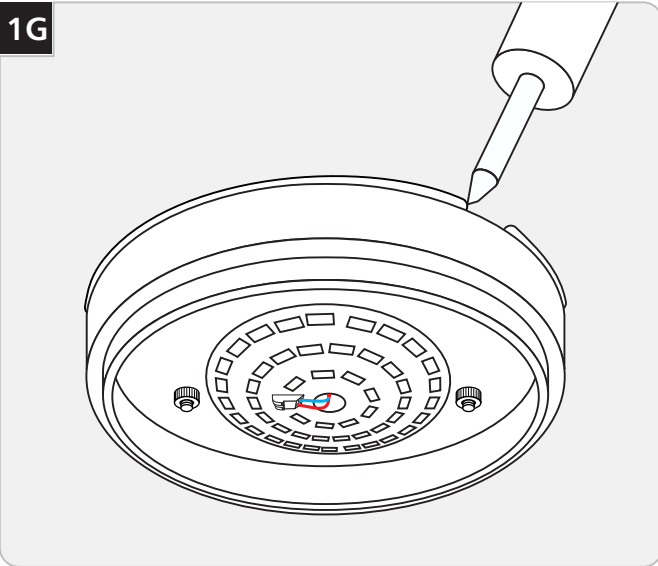
- 9 Feed the red transformer wires through the hole in the center of the fixture.
- 10 Mount the fixture base to the ceiling by reinstalling it onto the mounting plate and secure it tightly with the knurled nuts.

1F

- 11 Completely install the neutral power line wire to the negative terminal to make a connection.
- 12 Completely install the black driver wire to the positive terminal to make a connection.

NOTE: Ensure that the wires have been properly installed by gently tugging on the wire to ensure the connection is firm.

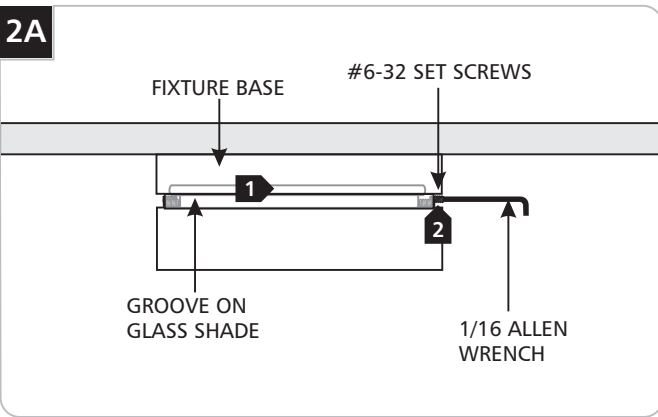
1G



- 13 For wet location installation, caulk around the fixture base with waterproof construction sealant.

Install the Shade

2A



- 1 Place the glass shade into the fixture base until the grooved section of the glass shade is completely inside.
- 2 Hold the glass shade in place and tighten all four #6-32 set screws with the 1/16 Allen wrench to lock the glass shade in place.

SAVE THESE INSTRUCTIONS!



TECH LIGHTING®

7400 Linder Ave, Skokie, IL 60077

847.410.4400

www.techlighting.com

© 2015 Tech Lighting, L.L.C. All rights reserved. The "Tech Lighting" graphic is a registered trademark of Tech Lighting, L.L.C. Tech Lighting reserves the right to change specifications for product improvements without notification.

A Generation Brands Company