

PRODUCT FEATURES

- Sleek metal band and matching die cast end caps embrace a rounded acrylic shade
- Offered in modern finishes
- Mounts vertically or horizontally. Additional sizes available
- An elegant design great for any vanity or bathroom.
- Protected by a 5-year warranty with integrated LED



LAMPING

LED includes 24 watt 1300 lumen 90 CRI 3000K LED module. Dimmable with a low-voltage electronic dimmer. Mounts vertically or horizontally. ADA compliant.

Satin Nickel



Antique Bronze

Chrome

Satin Nickel

ORDERING INFORMATION

700BCLYK	LENGTH (A)	FINISH	LAMP
	24 24"	Z BRONZE	-LED930 INTEGRATED LED 90 CRI 3000K 120V
		C CHROME	-LED930-277 INTEGRATED LED 90 CRI 3000K 277V
		S SATIN NICKEL	

700BCLYK _____

JOB NAME _____

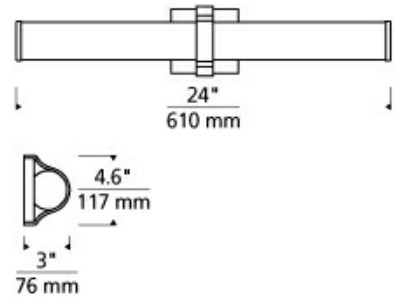
NOTES _____



LYNK 24 BATH

SPECIFICATIONS

HARDWARE MATERIAL	Metal
SHADE MATERIAL	Acrylic
NET WEIGHT	3 lbs
HEIGHT	4.6in
WIDTH	3in
LENGTH	24in
WET LISTED	
DAMP LISTED	Yes
DRY LISTED	
GENERAL LISTING	ETL Listed
INCLUDES	



LAMPING SPECIFICATIONS

	LED LAMP	INTEGRATED LED	NON LED	NO LAMP
DELIVERED LUMENS		1300		
WATTS		24		
MAX WATTAGE PER BULB		24W		
INPUT VOLTAGE		120V 277V		
DIMMING TYPE*		ELV, TRIAC 0-10V		
CCT		3000K		
CRI		90 CRI		
LED LIFETIME				
L70		>50000		
AVERAGE BULB HOURS				
FIELD SERVICEABLE LED				
LAMP BASE		Integrated LED		
LAMP SHAPE		Integrated LED		
LAMP INCLUDED?		True		
WARRANTY**		5 Years		

* Dimming information available at www.techlighting.com/Downloads#dimming

** Visit techlighting.com for specific warranty limitations and details.

T20 / T24 / JA8 INFORMATION

	Integrated LED	Replacement LED Lamp	No Lamp *
This product can be used to comply with California Building Energy Efficiency Standards 2016 Title 24 Part 6 / JA8 .	No		
This product can be used to comply with California Appliance Efficiency Standards 2016 Title 20 and may be shipped to and sold in California.	N/A		

* If a light fixture or component does not include a lamp or light source, it is the responsibility of the customer to select a lamp that meets the T24 and T20 requirements.

