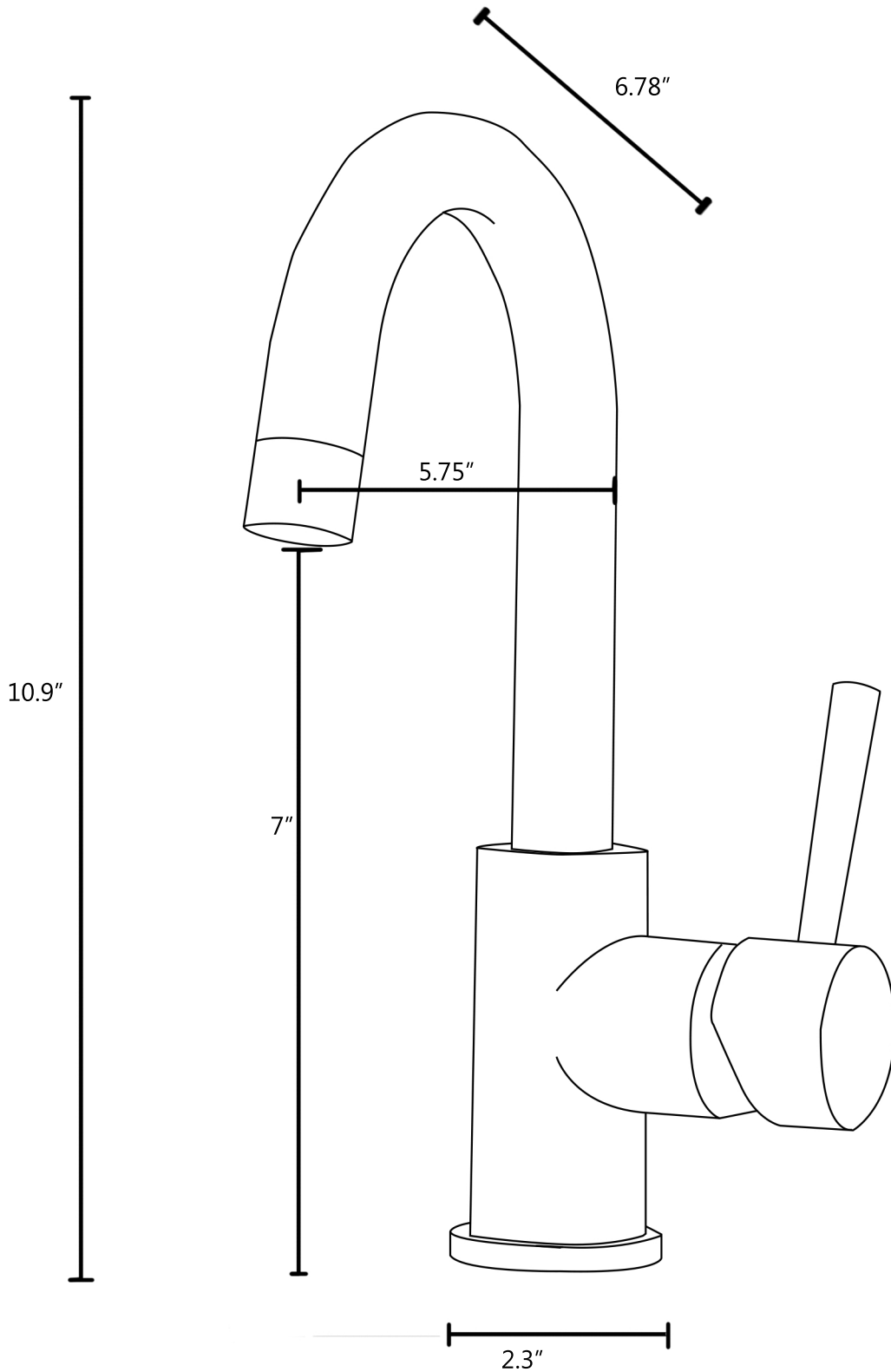


PSK-501 Specification Sheet



Model
PSK-501

