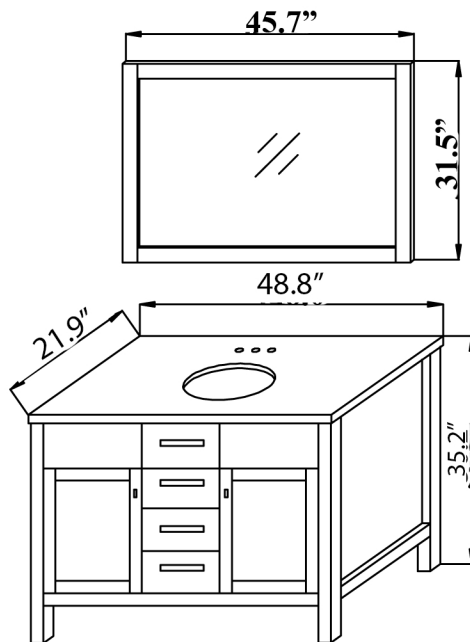
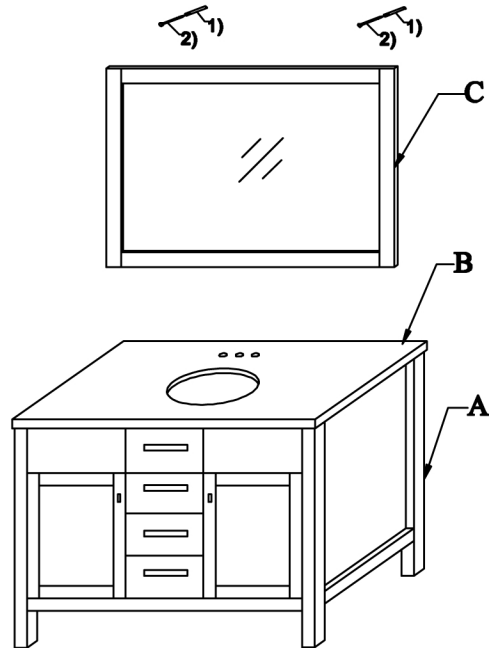




Model: MS-2048

## VIRTU USA

- Please check your product packaging to make sure the included accessories are in the "list of standard accessories", if defect please immediately contact the local dealer.
- Please do not let any sharp scratch the cabinet surface.
- Please do not let any part of cabinet under longtime solarization, it will cause part aberrations of cabinet color.
- Please do not let hot items touch the surface of cabinet directly or please insulate with a cushion.
- Please do not let the surface of cabinet exposure to corrosive liquids, such as alcohol, banana oil, gasoline, nail polish, acid, alkali and so on.



Model	Vanity Front A
MS-2048	48"

*Virtu USA vanities are handcrafted and may vary with a minor manufacturing tolerance. Natural stone characteristics are very subjective and may vary with natural veining, crystallization and lining.*