



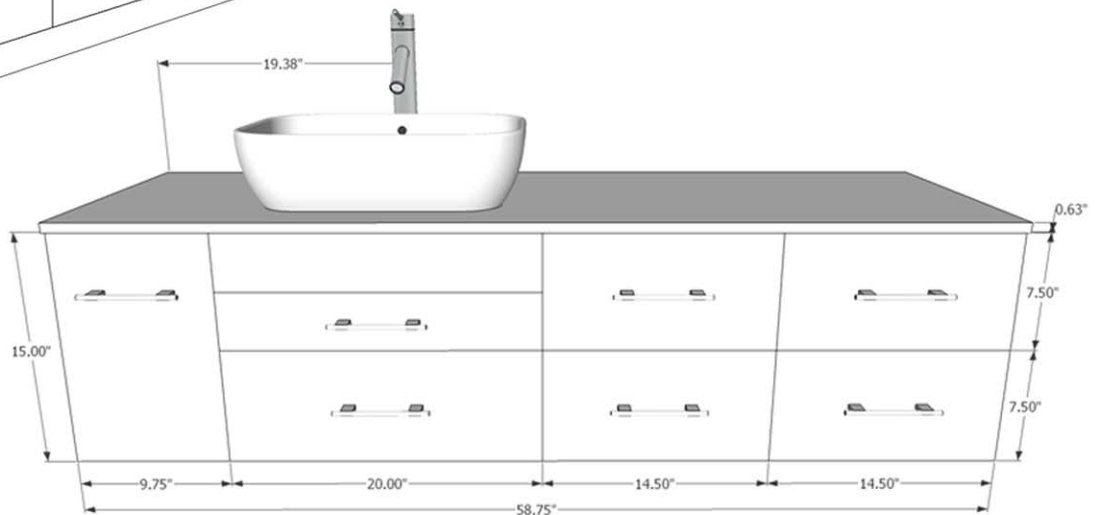
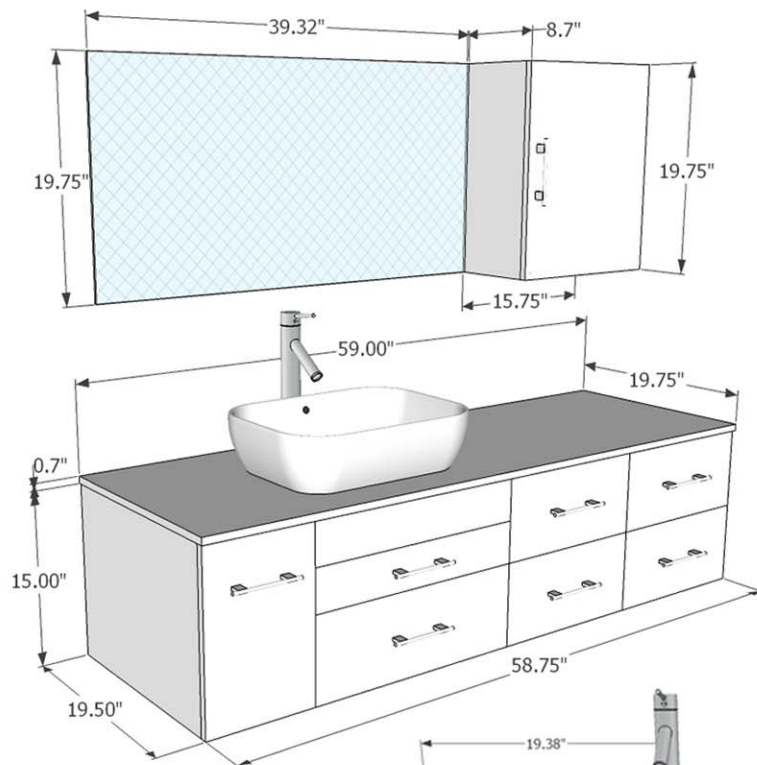
VIRTU USA

Spec Sheet

Justine 59" Single Vanity

UM-3050

- Espresso finish
- Eco-Friendly Solid Rubber Wood Construction
- 1 door, 6 functional drawers, and 1 mirror cabinet
- Brushed nickel hardware
- White ceramic basin
- PS-104 faucet and drain assembly included
- Minimal assembly required



Virtu USA vanities are handcrafted and may vary with a minor manufacturing tolerance.



VIRTU USA

Installation Instructions

Justine 59" Single Vanity

UM-3050

Packing List: 6 Boxes

1. Main Cabinet
2. Countertop
3. Mirror
4. Mirror Cabinet
5. Basin
6. Faucet

Installation Procedure

1. Test fit vanity
2. Mark mirror cabinet height and install with provide parts
3. Mark mirror height and install with provided parts
4. Mark vanity height and install the cabinet using provided parts
5. Place and install brackets underneath the cabinets as seen in picture
6. Be sure that all screws/bolts directly mounts into wall studs
7. Apply a bead of silicone on the cabinet and attach countertop
8. Apply a bead of silicone on the countertop and attach the basin
9. Allow proper time to adhere
10. Install drain assembly (see drain assembly installation instructions)
11. Install faucet



Note: Virtu USA recommends using a certified plumber and/or contractor for installation.

Virtu USA vanities are handcrafted and may vary with a minor manufacturing tolerance.

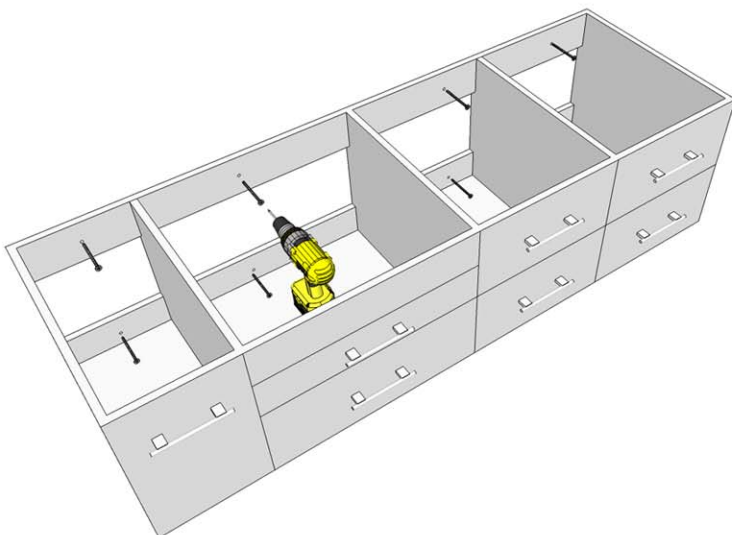
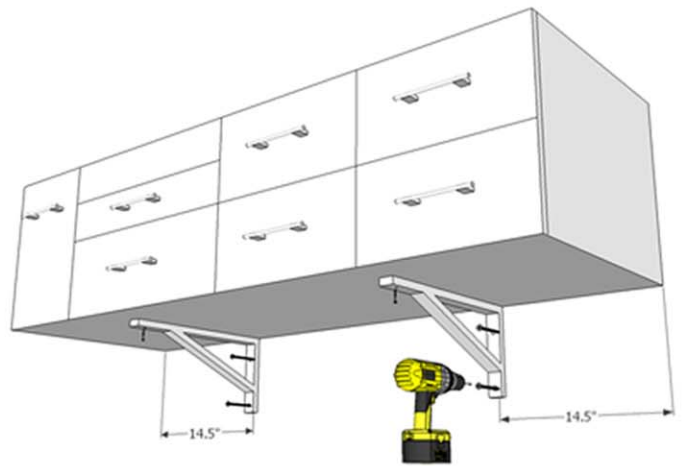
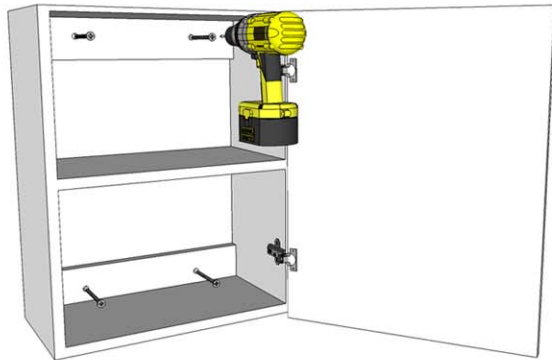


VIRTU USA

Installation Instructions

Justine 59" Single Vanity

UM-3050



Virtu USA vanities are handcrafted and may vary with a minor manufacturing tolerance.

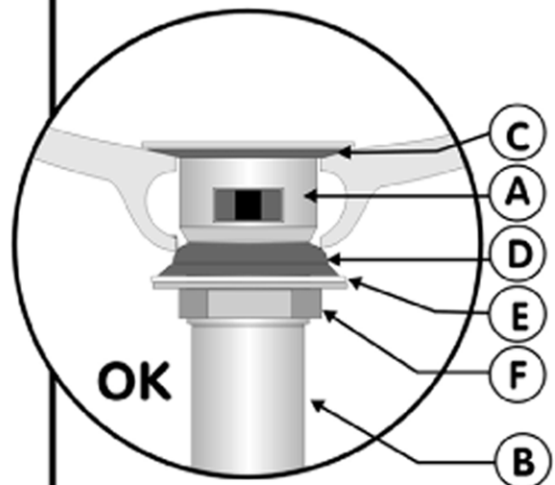
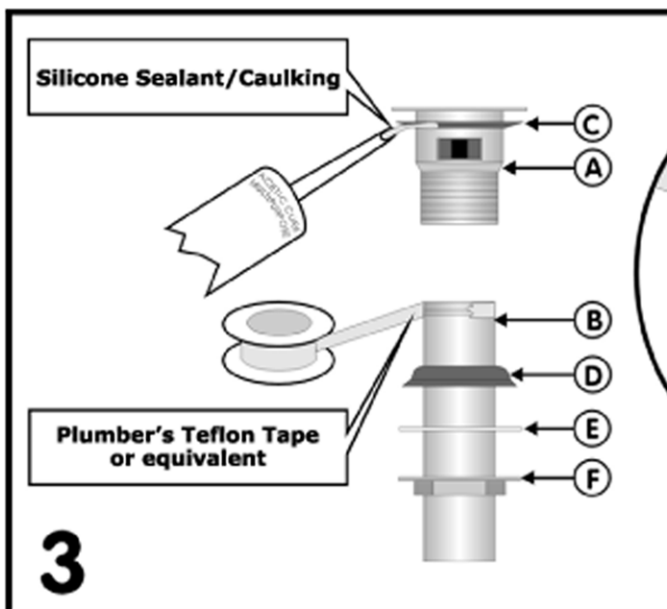
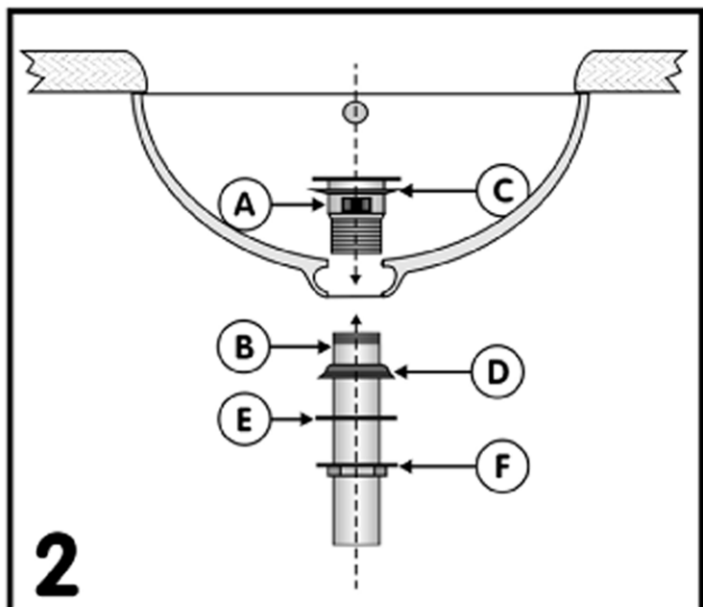
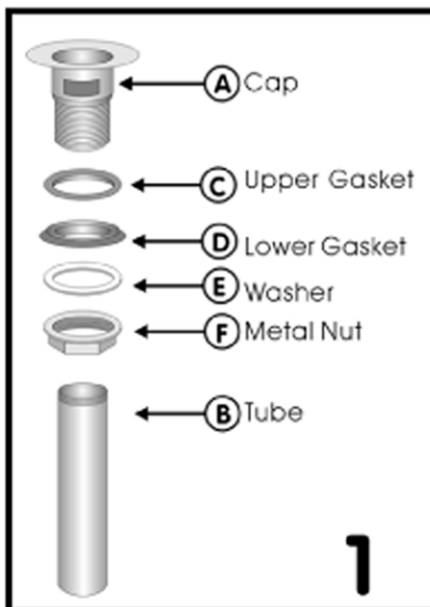
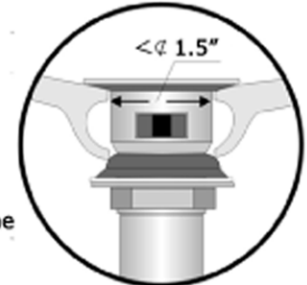


VIRTU USA

Pop Up Installation

Before Installation: Be sure the pop-up unit fits with the ceramic basin.
The basin hole size is: $\Phi 1.5 - 2.2$ inches. Test fit to make sure the pop-fits accordingly.

Install the pop-up exactly using the instructions below. Use a bead of silicone sealant around the C, upper gasket, to avoid any possible leaks.



** Approved sealant alternatives may be used to accommodate for installation requirement.*



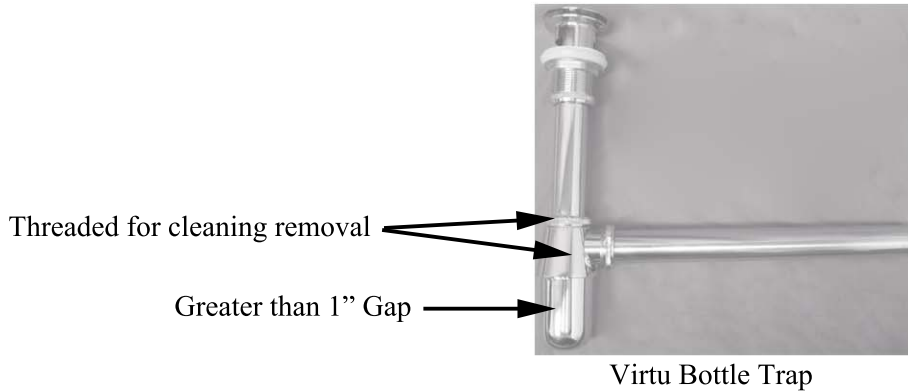
VIRTU USA

Bottle Trap Information

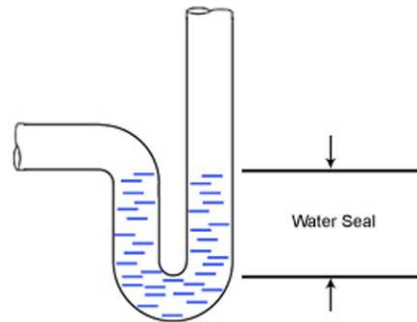
City Regulation require all points of discharge into a drainage sytem be fitted with a water seal tap to prevent foul air and odor to return to the building. Traps should retain a minimum seal of 1" of water seal height.

Traps must be accessible and provide with an adequate facility for cleansing. Traps should be capable of dismantling and removal.

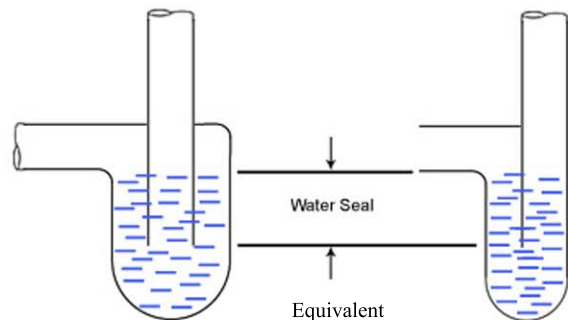
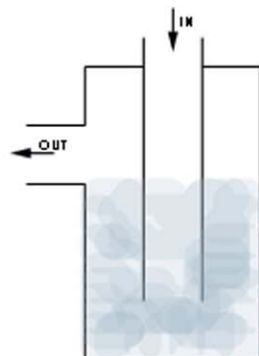
Bottle trap quivalent to P, S or U trap



Tubular Trap



Bottle Trap



** Bottle Traps may be modified to accommodate for installation requirement.*