

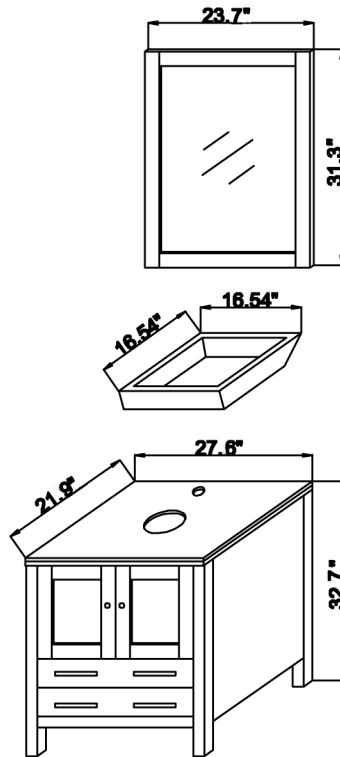


# MS-4428 INSTALLATION GUIDE



VIRTU USA

## Dimensions

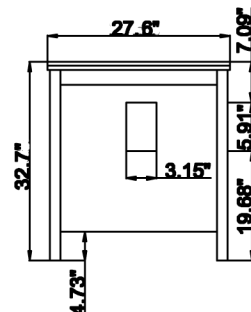


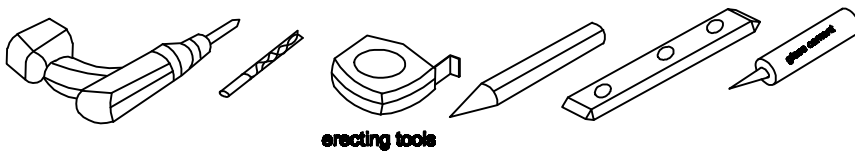
Model	Vanity Front	A
MS-4428	27.56"	

### Vanity Front



### Vanity Back

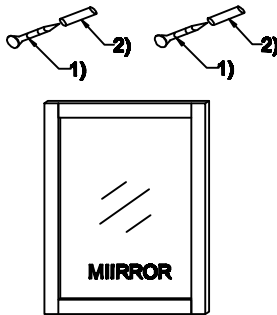




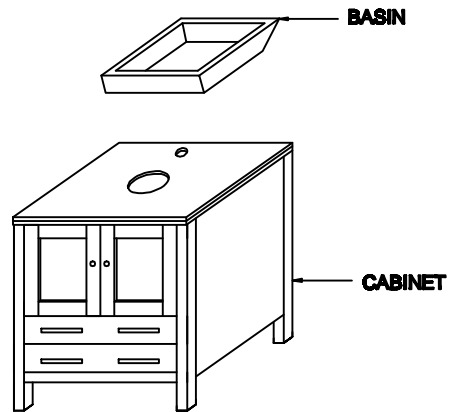
erecting tools


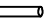
## PARTS

### MIIRROR



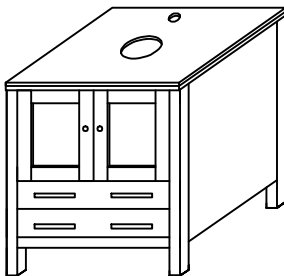
### CABINET



1)		M5X50 self-tapping screw
2)		Ø8 Expansion stopper

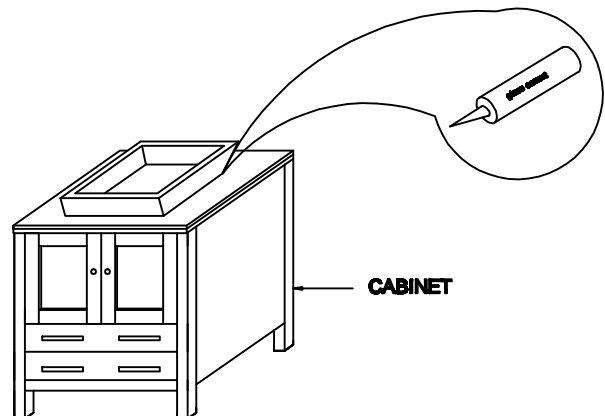
1

Put the cabinet



2

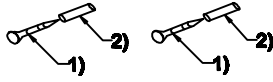
Apply silicone and install basin



**3**

**Install mirror**

- 1. Confirm the height of placement;
- 2. Install mirror to wall using (1) and (2).



**4**

**Install faucet & drain assembly**

