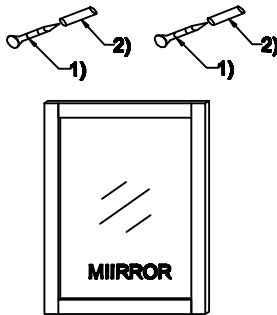


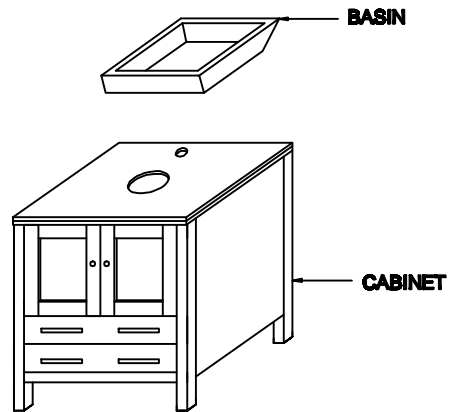
erecting tools


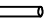
PARTS

MIIRROR



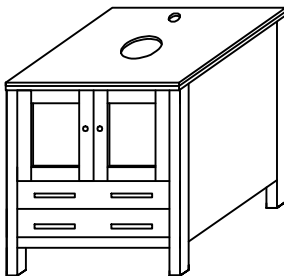
CABINET



1)		M5X50 self-tapping screw
2)		Ø8 Expansion stopper

1

Put the cabinet



2

Apply silicone and install basin

