

Installation GUIDE



Tuscany Freestanding Dual Fuel Ranges

*TVDR3604B, TVDR3602G, CTVDR3604B, CTVDR3602G
TVDR4806B, TVDR4804G, TVDR4804I, TVDR4802GI, TVDR4804F
CTVDR4806B, CTVDR4804G, CTVDR4804I, CTVDR4802GI, CTVDR4804F*

Table of Contents

- Important Safety Instructions / Warnings 3
- Dimensions /Specifications 6
- Clearance Dimensions 8
- Electrical Requirements 10
- Gas Requirements 11
- General Information 12
- Installation 13
 - Electrical Connection 3-Wire 13
 - Electrical Connection 4-Wire 14
 - Leveling/Adjustments 16
 - Anti-Tip Device 17
- Final Preparation 18
- Service Information 19

IMPORTANT - Please Read and Follow

- Before beginning, please read these instructions completely and carefully.
- Do not remove permanently affixed labels, warnings, or plates from product. This may void the warranty.
- All local and national codes and ordinances must be observed. Installation must conform with local codes or in the absence of codes, the National Fuel Gas Code ANSI Z223.1 NFPA54.
- The installer must leave these instructions with the consumer who should retain for local inspector's use and for future reference.

In Canada: Installation must be in accordance with the current CAN/CGA B149.1 & 2 Gas Installation codes and/or local codes. Electrical installation must be in accordance with the current CSA C22.1 Canadian Electrical Codes Part 1 and/or local codes.

In Massachusetts: All gas products must be installed by a "Massachusetts" licensed plumber or gasfitter. A "T" type handle manual valve must be installed in the gas supply line to the appliance.

An air curtain or other overhead range hood which operates by blowing a downward airflow onto the range, shall not be used with a gas range.

Your safety and the safety of others is very important.

We have provided many important safety messages in this manual and on your appliance. Always read and obey all safety messages.



This is the safety alert symbol. This symbol alerts you to hazards that can kill or hurt you and others.

All safety messages will be preceded by the safety alert symbol and the word "WARNING," "DANGER" or "CAUTION." These words mean:

⚠ DANGER
Hazards or unsafe practices which WILL result in death or severe personal injury.
⚠ WARNING
Hazards or unsafe practices which COULD result in death or severe personal injury.
⚠ CAUTION
Hazards or unsafe practices which COULD result in minor personal injury.
All safety messages will identify the hazard, tell you how to reduce the chance of injury, and tell you what can happen if the instructions are not followed.

IMPORTANT - Please Read and Follow

A GFI shall be used if required by NFPA-70 (National Electric Code), federal/state/local laws, or local ordinances.


- The required use of a GFI is normally related to the location of a receptacle with respect to any significant sources of water or moisture.
- Viking Range, LLC will NOT warranty any problems resulting from GFI outlets which are not installed properly or do not meet the requirements below.

If the use of a GFI is required, it should be:

- Of the receptacle type (breaker type or portable type NOT recommended)
- Used with permanent wiring only (temporary or portable wiring NOT recommended)
- On a dedicated circuit (no other receptacles, switches or loads in the circuit)
- Connected to a standard breaker of appropriate size (GFI breaker of the same size NOT recommended)
- Rated for Class A (5 mA +/- 1 mA trip current) as per UL 943 standard
- In good condition and free from any loose-fitting gaskets (if applicable in outdoor situations)
- Protected from moisture (water, steam, high humidity) as much as reasonably possible

⚠ DANGER

If the information in this manual is not followed exactly, a fire or explosion may result causing property damage, personal injury or death.



WHAT TO DO IF YOU SMELL GAS:

- **DO NOT** try to light any appliance.
- **DO NOT** touch any electrical switch.
- **DO NOT** use any phone in your building.
- Immediately call your gas supplier from a neighbor's phone. Follow the gas supplier's instructions.
- If you cannot reach your gas supplier, call the fire department.

Installation and service must be performed by a qualified installer, service agency or the gas supplier.

⚠ WARNING

TIPPING HAZARD

To reduce the risk of the appliance tipping, it must



be secured by a properly installed anti-tip bracket(s). To make sure the bracket has been installed properly, look behind the range with a flashlight to verify proper installation engaged in the rear bottom left corner of the range.

- THIS RANGE CAN TIP
- INJURIES TO PERSONS CAN RESULT
- INSTALL ANTI-TIP DEVICE PACKED WITH RANGE
- SEE INSTALLATION INSTRUCTIONS

⚠ WARNING


To prevent possible damage to cabinets and cabinet finishes, use only materials and finishes that will not discolor or delaminate and will withstand temperatures up to 194°F (90°C). Heat resistant adhesive must be used if the product is to be installed in laminated cabinetry. Check with your builder or cabinet supplier to make sure that the materials meet these requirements.

⚠ WARNING

NEVER use appliance as a space heater to heat or warm a room to prevent potential hazard to the user and damage to the appliance. Also, **DO NOT** use the rangetop or oven as a storage area for food or cooking utensils.

⚠ WARNING


To avoid risk of property damage, personal injury or death; follow information in this manual exactly to prevent a fire or explosion. **DO NOT** store or use gasoline or other flammable vapors and liquids in the vicinity of this or any appliance.



IMPORTANT - Please Read and Follow

⚠ DANGER

CHEMICAL HAZARD




To avoid risk of property damage and/or personal injury or death; this appliance is not to be used as a heating source.

- Benzene is a chemical which is part of the gas supply to this cooking product, which is consumed in the flames during combustion. Exposure to a small amount of benzene is possible if a gas leak occurs. Formaldehyde and soot are by-products of incomplete combustion.
- This appliance contains or produces chemicals which can cause serious injury or death and which are known to the state of California to cause cancer, birth defects or other reproductive harm. To reduce the risk from substances in the fuel or from fuel combustion make sure this appliance is installed, operated, and maintained in accordance to the instructions in this document.

⚠ WARNING


MOVING HAZARD



To avoid risk of severe personal injury; this appliance requires two or more personnel while handling and moving. Possible use of appliance moving devices is recommended.

⚠ WARNING

GAS LEAK HAZARD




To avoid risk of personal injury or death; leak testing of the appliance must be conducted according to the manufacturer's instructions. Before placing appliance in operation, always check for gas leaks with soapy water solution.

- **DO NOT USE AN OPEN FLAME TO CHECK FOR GAS LEAKS.**

⚠ WARNING


ELECTRICAL SHOCK HAZARD



To avoid risk of electrical shock, personal injury or death; verify your appliance has been properly grounded in accordance with local codes or in absence of codes, with the National Electrical Code (NEC) ANSI/NFPA-70 – latest edition.

⚠ WARNING

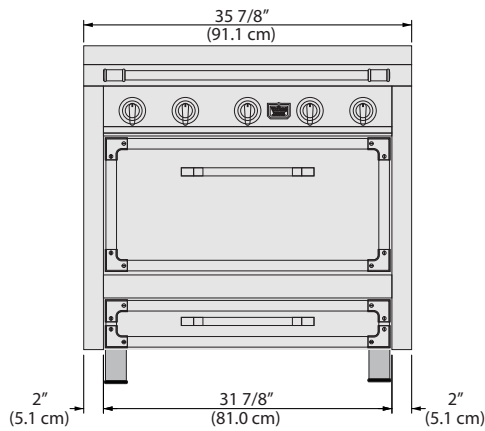
BURN OR ELECTRICAL SHOCK HAZARD



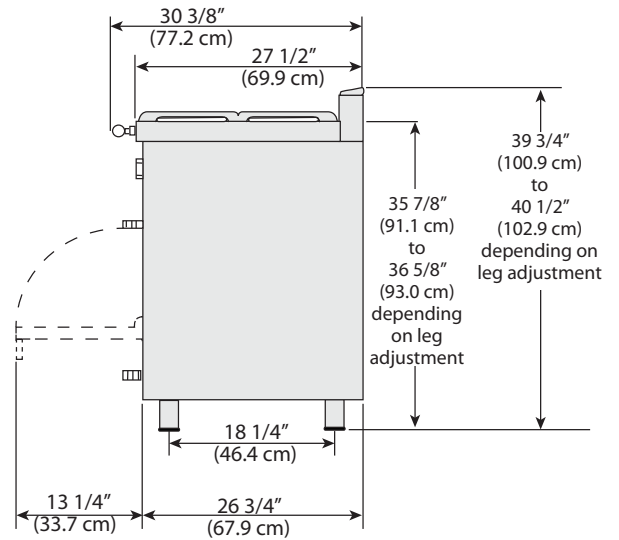
Make sure all controls are OFF and oven is COOL before cleaning. Failure to do so can result in burns or electrical shock

Dimensions / Specifications

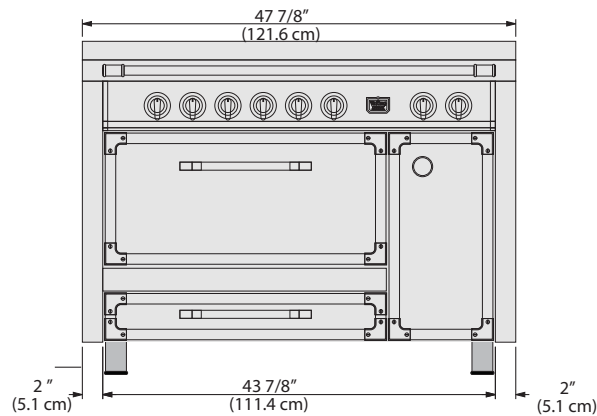
36" W.



SIDE VIEW



48" W.

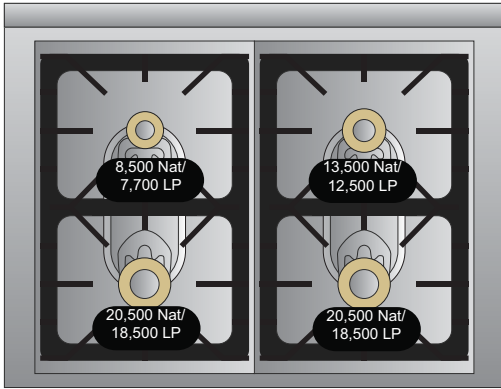


Description	36" W. - 91 cm Wide	48" W. - 122 cm Wide
Cutout width	36" (91.4 cm)	48" (121.9 cm)
Overall width	35-7/8" (91.1 cm)	47-7/8" (121.6 cm)
Overall height from bottom To top of side trim Leg adjustment	35-7/8" (91.1 cm) min to 36-5/8 (93.0 cm) max 3/4" (1.9 cm)	
Overall depth from rear To end of side panel To front of door To end of towel bar To end of door handle	26-3/4" (67.9 cm) 26-3/4" (67.9 cm) 30-3/8" (77.2 cm) 28-7/8" (35.2 cm)	
Additions to Base Height	To top of island trim: add 4" (10.2 cm)	
Gas requirements	Shipped Natural Gas, accepts standard residential 1/2" (1.3 cm) ID gas service line. Natural 5.0" W.C.P./ Liquid Propane L/P 10.0" W.C.P. Unit is field convertible with proper conversion kit.	
Electrical requirements	See Electrical Requirements Information	
Maximum amp usage	240V - 18.75 amps / 208V - 21.6 amps	240V - 42.5 amps / 208V - 49.0 amps
Surface ratings	See illustration on pg 7.	
Oven interior width	25-3/4" (65.4 cm)	LH 25-3/4" (65.4 cm) RH 11-5/8" (29.5 cm)
Oven interior height	13" (33.0 cm)	LH 13" (33.0 cm) RH 18-1/4" (46.4 cm)
Oven interior depth	19-5/8" (49.8 cm)	LH 19-5/8" (49.8 cm) RH 19-5/8" (49.8 cm)
Oven volume Overall AHAM	3.8 cu. ft.	LH 3.8 cu. ft. RH 2.4 cu. ft.
Approximate shipping weight	300 - 340 lbs (135 - 153 kg)	470 - 510 lbs (212 - 230 kg)

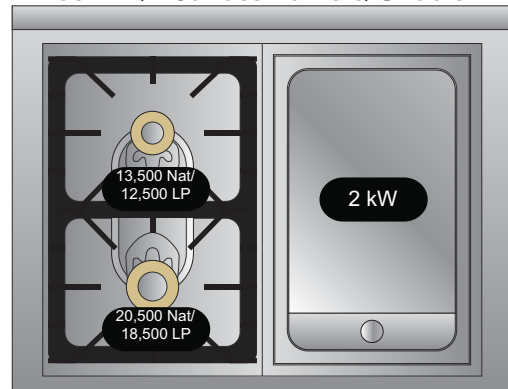
Dimensions / Specifications

Surface BTU Rates

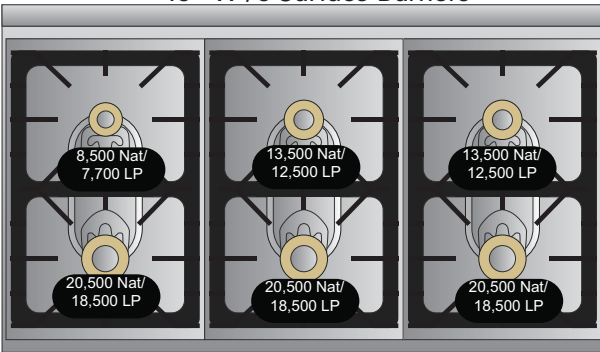
36" W / 4 Surface Burners



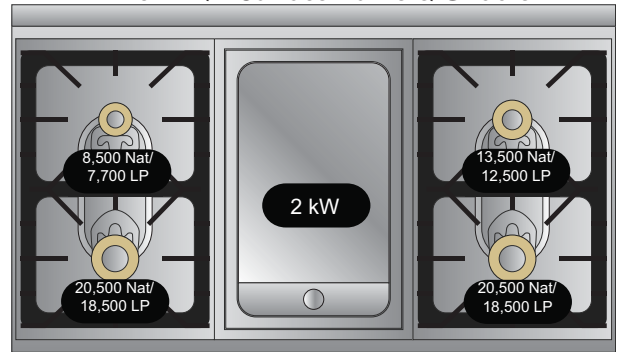
36" W / 2 Surface Burners/Griddle



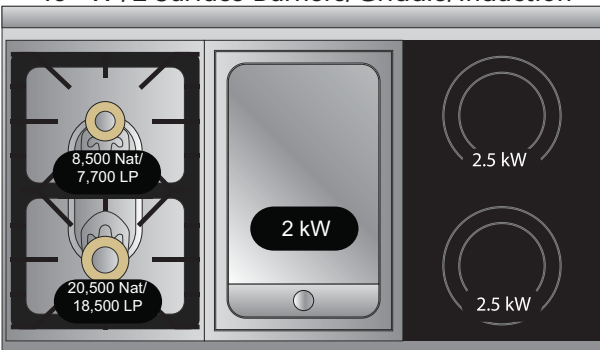
48" W / 6 Surface Burners



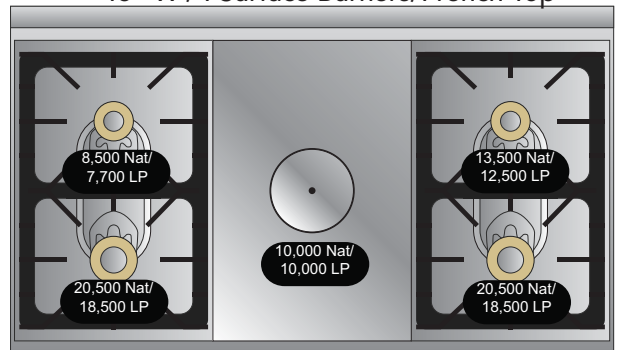
48" W / 4 Surface Burners/Griddle



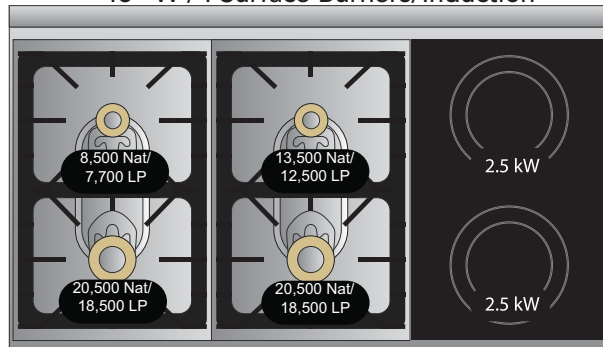
48" W / 2 Surface Burners/Griddle/Induction



48" W / 4 Surface Burners/French Top



48" W / 4 Surface Burners/Induction



Clearance Dimensions

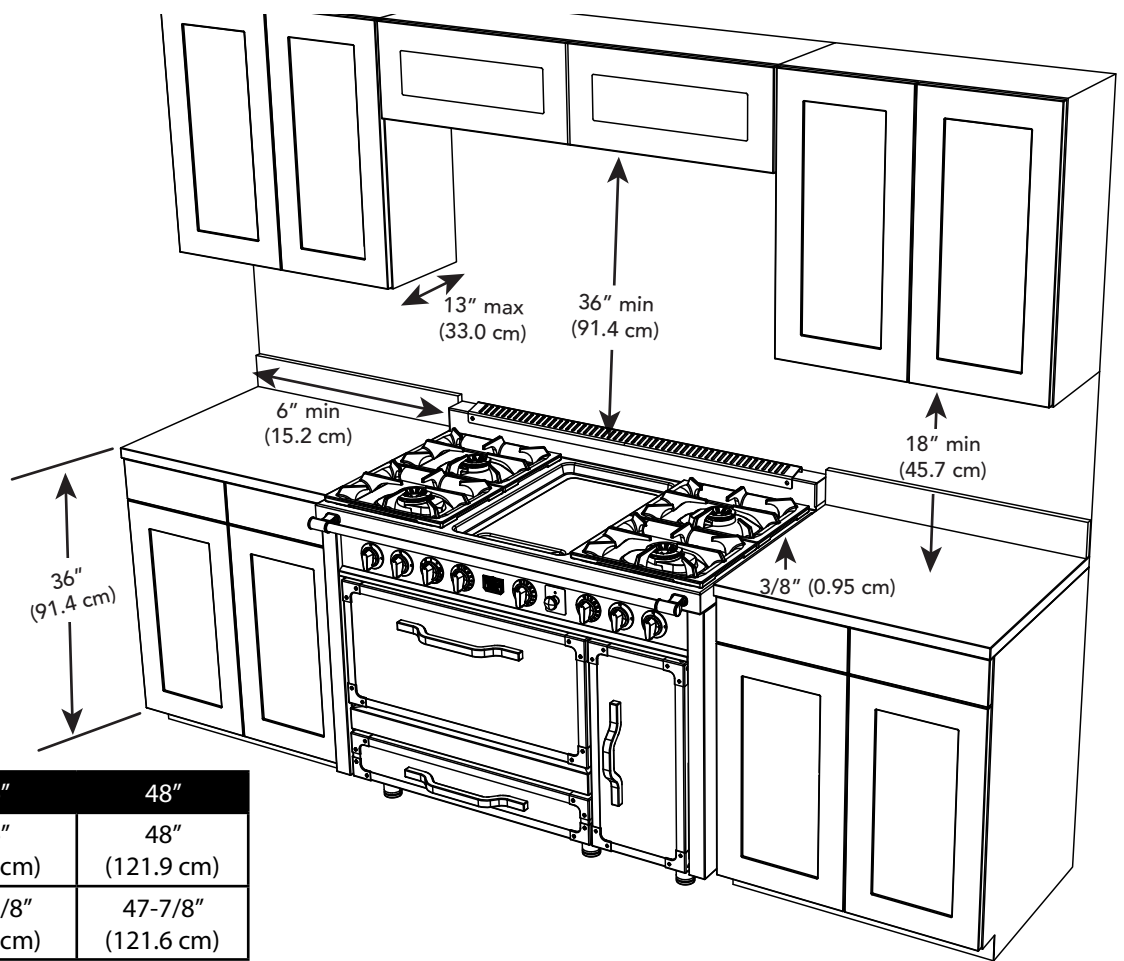
•This range may be installed directly adjacent to existing 36" (91.4 cm) high base cabinets.

IMPORTANT: The side panel MUST be 3/8" (.95 cm) above the adjacent base cabinet countertop. This can be accomplished by raising the unit using the adjustment spindles on the legs.

•The range **CANNOT** be installed directly adjacent to sidewalls, tall cabinets, tall appliances, or other side vertical surfaces above 36" (91.4 cm) high. There must be a minimum of 6" (15.2 cm) side clearance from the range to such combustible surfaces above the 36" (91.4 cm) counter height.

•Within the 6" (15.2 cm) side clearance to combustible vertical surfaces above 36" (91.4 cm), the maximum wall cabinet depth must be 13" (33.0 cm) and wall cabinets within this 6" (15.2 cm) side clearance must be 18" (45.7 cm) above the 36" (91.4 cm) high countertop.

•Wall cabinets above the range must be a minimum of 36" (15.2 cm) above the range cooking surface for the full width of the range. This minimum height requirement does not apply if a range hood is installed over the cooking surface.*



	36"	48"
Cutout width	36" (91.4 cm)	48" (121.9 cm)
Range Width	35-7/8" (91.1 cm)	47-7/8" (121.6 cm)

Note: Minimum clearance for back wall 0"

*Note: When a rangehood is installed according to required hood installation, cabinets can be installed directly above the rangehood with no minimum clearance height.

Note: Clearances from non-combustible materials are not part of the ANSI Z21.1 scope and not certified by CSA. Clearances to non-combustible materials must be approved by the authority having jurisdiction.

⚠ WARNING

BURN HAZARD



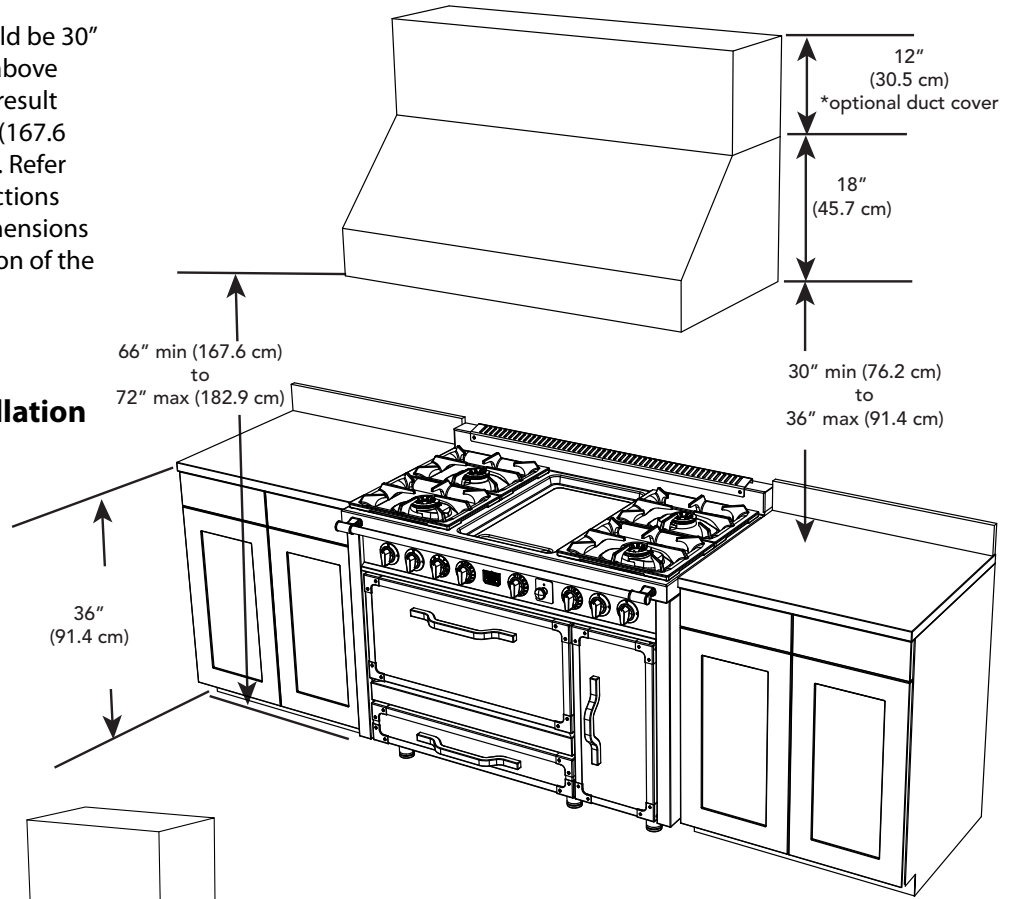
To avoid risk of personal injury; the use of cabinets for storage above the appliance may result in a potential burn hazard. Combustible items may ignite, metallic items may become hot and cause burns. If a cabinet storage is to be provided the risk can be reduced by installing a rangehood that projects horizontally a minimum 5" (12.7 cm) beyond the bottom of cabinets.

horizontally a minimum 5" (12.7 cm) beyond the bottom of cabinets.

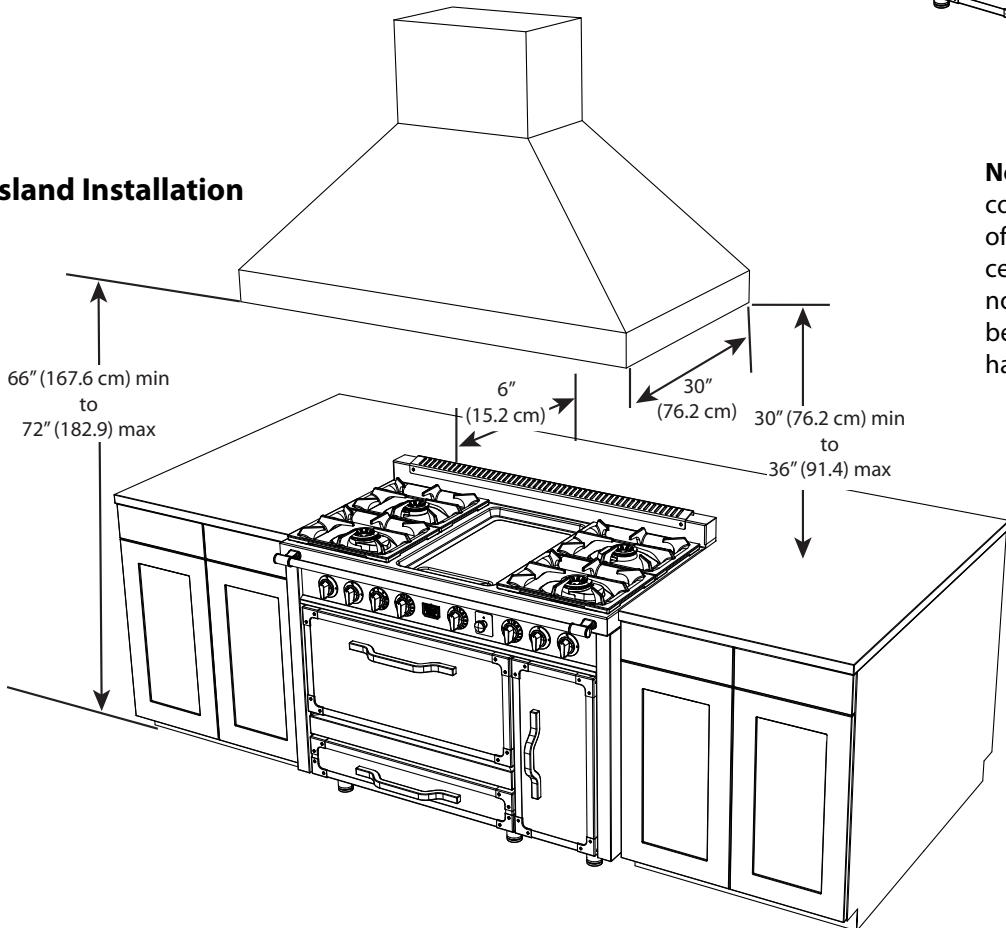
Clearance Dimensions

The bottom of a standard hood should be 30" (76.2 cm) min. to 36" (91.4 cm) max. above the countertop. This would typically result in the bottom of the hood being 66" (167.6 cm) to 72" (182.9 cm) above the floor. Refer to the range hood installation instructions for additional information. These dimensions provide for safe and efficient operation of the hood.

Wall Installation




Island Installation



Note: Clearances from non-combustible materials are not part of the ANSI Z21.1 scope and not certified by CSA. Clearances to non-combustible materials must be approved by the authority having jurisdiction.

Electrical Requirements

⚠ WARNING	
	ELECTRICAL SHOCK HAZARD To avoid the risk of electrical shock, personal injury or death; verify electrical power is turned off at the breaker box and gas supply is turned off until the range is installed and ready to operate, installation by an authorized installer only.

Electrical Requirements

This product is manufactured with the neutral terminal connected to the cabinet. Use a 3-wire, agency approved, power supply kit with closed loop terminals rated per the National Electrical Code, ANSI/NFPA 70-latest edition (See Rating chart below). If local codes prohibit grounding through the neutral, use a 4-wire, agency approved, power supply kit with closed loop terminals rated per the National Electrical Code, ANSI/NFPA 70-latest edition (See Rating chart below).

RATING* Specified Rating of Power Supply Cord Kit and Circuit Protection

<u>120/240 Volts</u>	<u>120/208 Volts</u>	<u>Amps</u>
4.5 - 10.2 KW	4.5 - 10.2 KW	50

*The National Electric Code calculation for Electrical Load is less than the Total Connected Electrical Load listed on the model/serial rating plate.

A GFI shall be used if required by NFPA-70 (National Electric Code), federal/state/local laws, or local ordinances.

- The required use of a GFI is normally related to the location of a receptacle with respect to any significant sources of water or moisture.
- Manufacturer will NOT warranty any problems resulting from GFI outlets which are not installed properly or do not meet the requirements below.

If the use of a GFI is required, it should be:

- Of the receptacle type (breaker type or portable type NOT recommended)
- Used with permanent wiring only (temporary or portable wiring NOT recommended)
- On a dedicated circuit (no other receptacles, switches or loads in the circuit)
- Connected to a standard breaker of appropriate size (GFI breaker of the same size NOT recommended)
- Rated for Class A (5 mA +/- 1 mA trip current) as per UL 943 standard
- In good condition and free from any loose-fitting gaskets
- Protected from moisture (water, steam, high humidity) as much as reasonably possible

Gas Requirements

Gas Connection

The gas supply (service) line must be the same size or greater than the inlet line of the appliance. This range uses a 1/2" (1.3 cm) ID NPT (Sch40) inlet. Sealant on all pipe joints must be resistive to LP gas.

The range is designed specifically for natural gas or liquid propane (LP) gas. Before beginning installation verify that the model is compatible with the intended gas supply.

Manual shut-off valve:

This installer-supplied valve must be installed in the gas service line before the appliance in the gas stream and in a location where it can be reached quickly in the event of an emergency. Any opening behind the range shall be sealed.

In Massachusetts: A "T" handle type manual valve must be installed in the gas supply line to the appliance.

Pressure Regulator:

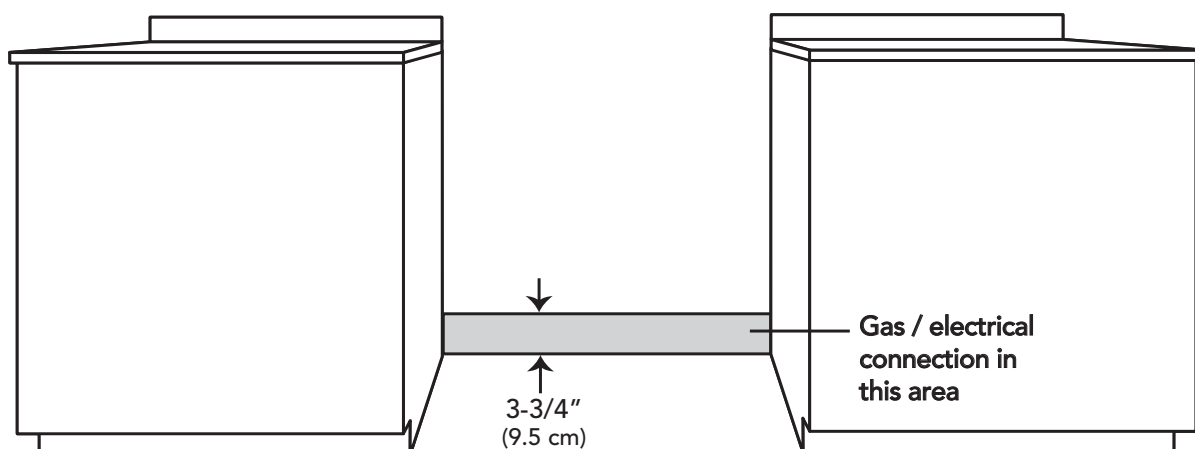
- All heavy-duty, commercial type cooking equipment must have a pressure regulator on the incoming service line for safe and efficient operation, since service pressure may fluctuate with local demand. External regulators are not required on this range since a regulator is built into each unit at the factory. Under no condition should this built-in regulator be bypassed.
- Manifold pressure should be checked with a manometer, natural gas requires 5.0" W.C.P. and LP gas requires 10.0" W.C.P. Incoming line pressure upstream from the regulator must be 1" W.C.P. higher than the manifold pressure in order to check the regulator. The regulator used on this range can withstand a maximum input pressure of 1/2" PSI (14.0" W.C.P.). If the line pressure is in excess of that amount, a step down regulator will be required.
- The appliance must be disconnected from the gas supply piping system during any pressure testing of that system.

Flexible Connections:

If the unit is to be installed with flexible couplings and/or quick-disconnect fittings, the installer must use a heavy-duty AGA design-certified flexible connector of at least 1/2" (1.3 cm) ID NPT (with suitable strain reliefs) in compliance with ANSI Z21.41 and Z21.69.

In Canada: CAN 1-6, 10-88 metal connectors for gas appliances and CAN 1-6.9 M79 quick disconnect devices for use with gas fuel.

In Massachusetts: This appliance must be installed with a 36" (3-foot) long flexible gas connector.



General Information

READ AND FOLLOW ALL WARNING AND CAUTION INFORMATION WHEN INSTALLING THIS APPLIANCE.

- All openings in the wall behind the appliance and in the floor under the appliance must be sealed.
- Do not obstruct the flow of combustion and ventilation air.

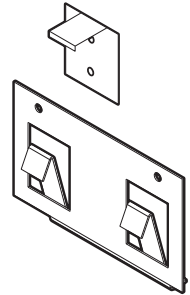
⚠ CAUTION
Avoid any damage to oven vents. The vents need to be unobstructed and open to provide proper airflow for optimal oven performance.

Moving, Handling, and Unpacking

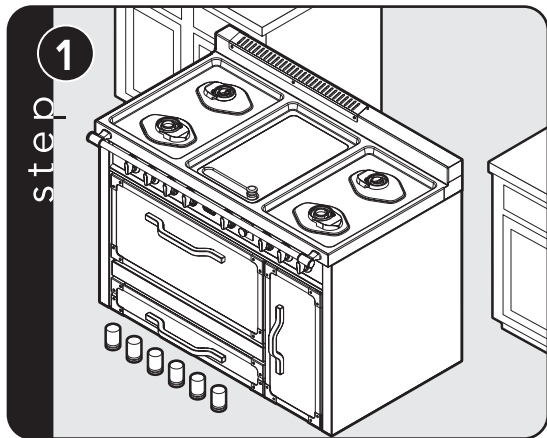
Remove and discard all packing materials, including cardboard and tape on the outside and inside of the range. Remove the burner grates from its packaging off the top cooking surface. The burner caps are shipped in a cardboard box located inside the oven cavity.

Do not discard the anti-tip metal brackets (2) supplied with the range. This is the anti-tip device and must be installed with the unit. Refer to "Anti-tip Device Installation" section.

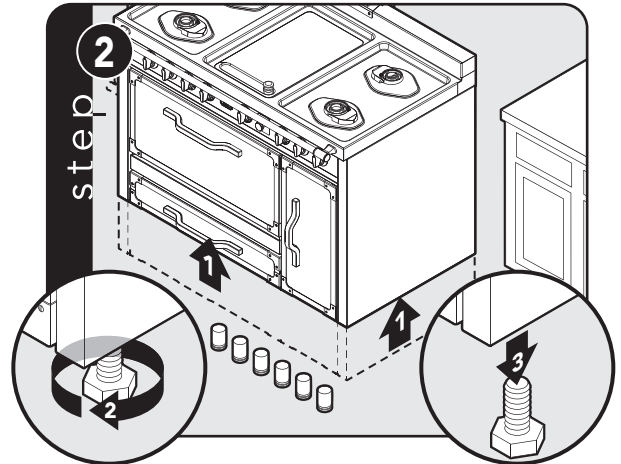
Some parts may have a plastic protective wrap which must be peeled off. The interior should be washed thoroughly with hot, soapy water to remove film residues and any dust or debris before being used, then rinsed and wiped dry. Solutions stronger than soap and water are rarely needed.



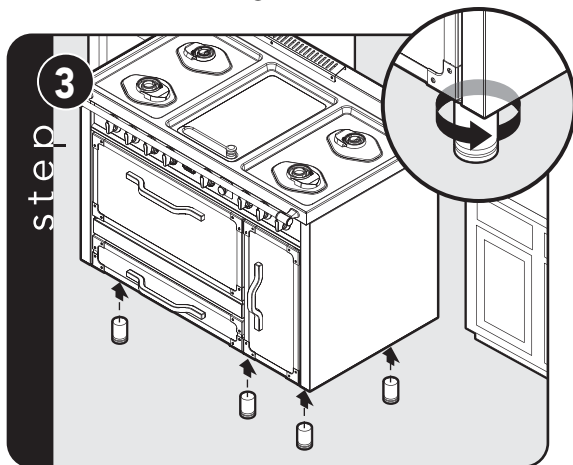
Leg Installation



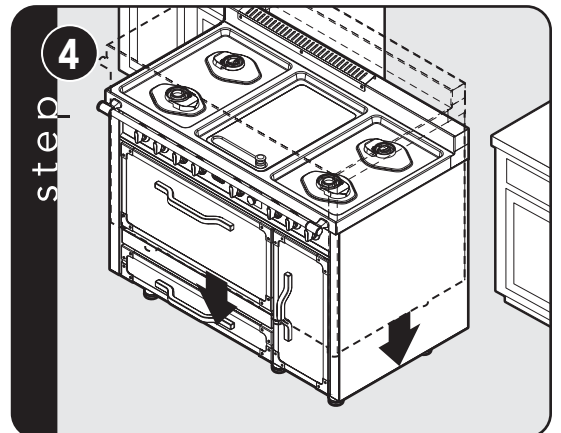
Legs are packed in cardboard top pack.
Note: Legs should be installed near to where appliance is to be used, as they are not secure for long transit.



Note: It is strongly recommended that a pallet or lift jack be used rather than tilting. Raise unit about a foot. Unscrew shipping bolts from couplings on all four corners.



Screw legs into couplings on all four corners.



Lower range gently to keep any undue strain from legs and internal mounting hardware.

Installation

Electrical Connection

3-Wire

⚠ WARNING



ELECTRICAL SHOCK HAZARD

To avoid risk of electrical shock, personal injury or death; verify your appliance has been properly grounded in accordance with local codes or in absence of codes, with the National Electrical Code (NEC) ANSI/NFPA-70 – latest edition.

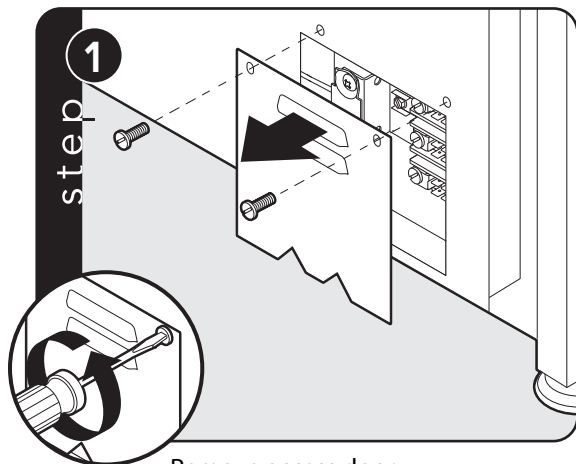
⚠ WARNING



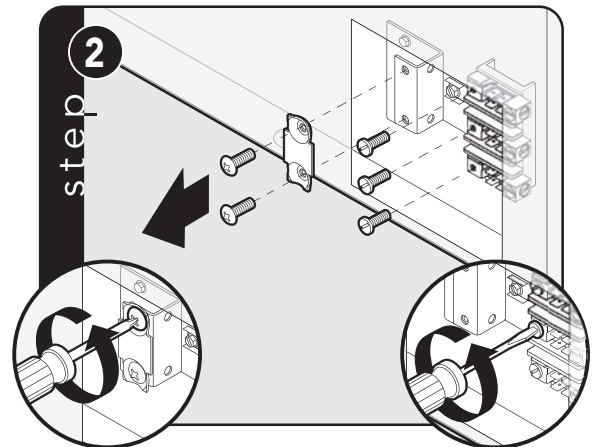
ELECTRICAL SHOCK HAZARD

To avoid risk of electrical shock, personal injury or death; grounding product to the frame of the unit may or may not be permitted through your local codes. If ground to the frame is not permitted then a 4 conductor power cord must be used.

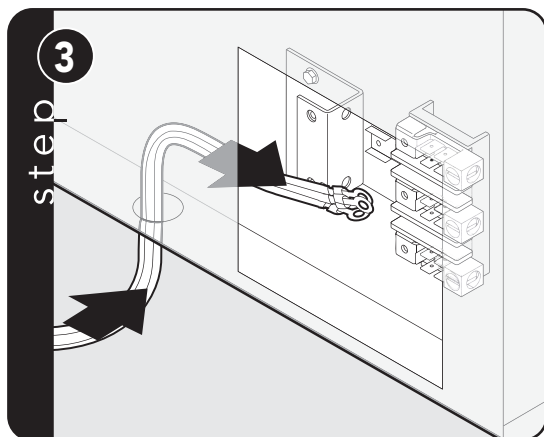
See Electrical Requirements information. Where local codes do not permit grounding through neutral, use a 4-wire power supply cord. The cord or conduit must be secured to the range with the strain relief bracket. The electrical connection is made at the terminal block, which is located behind the access door on the back of the range.



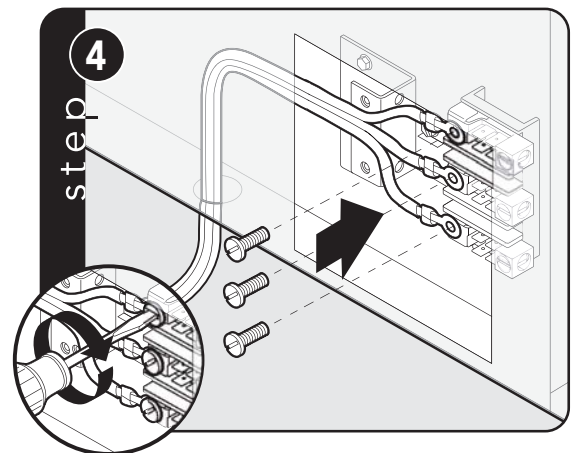
Remove access door.



Remove supply cord strain relief bracket and three supply cord mounting screws on terminal block.

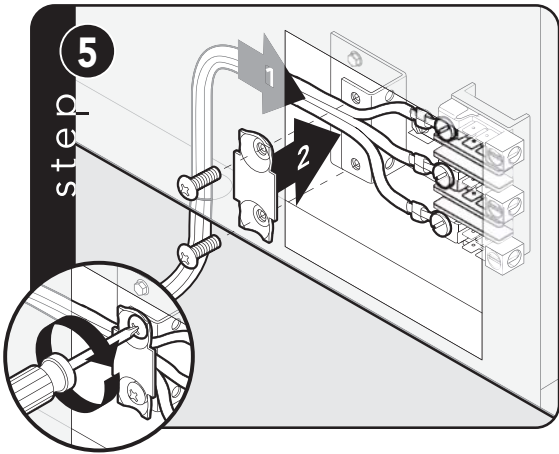


Feed supply cord up through hole in bottom of range back.

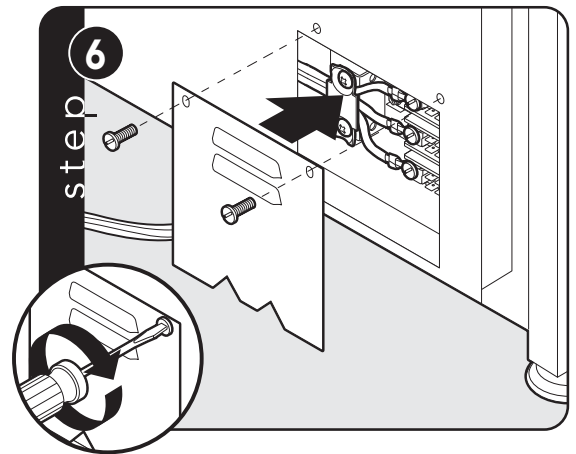


Attach line #1 (red) and line #2 (black) leads to outside terminal. Attach neutral wire (white) to center terminal on the terminal block.

Electrical Connection
3-Wire (con't)



Push supply cord toward terminal block to relieve strain, reattach supply cord strain relief bracket over supply cord.



Reattach access door.

Electrical Connection
4-Wire

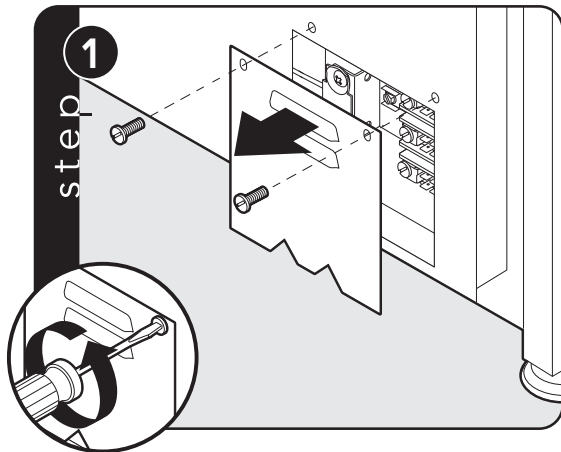
⚠ WARNING

ELECTRICAL SHOCK HAZARD
 To avoid risk of electrical shock, personal injury or death; verify your appliance has been properly grounded in accordance with local codes or in absence of codes, with the National Electrical Code (NEC) ANSI/NFPA-70 – latest edition.

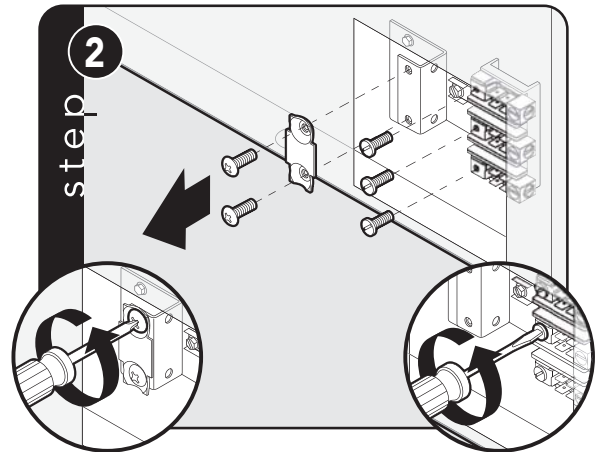
⚠ WARNING

ELECTRICAL SHOCK HAZARD
 To avoid risk of electrical shock, personal injury or death; grounding product to the frame of the unit may or may not be permitted through your local codes. If ground to the frame is not permitted then a 4 conductor power cord must be used.

See Electrical Requirements information. Where local codes do not permit grounding through neutral, use a 4-wire power supply cord. The cord or conduit must be secured to the range with the strain relief bracket. The electrical connection is made at the terminal block, which is located behind the access door on the back of the range.



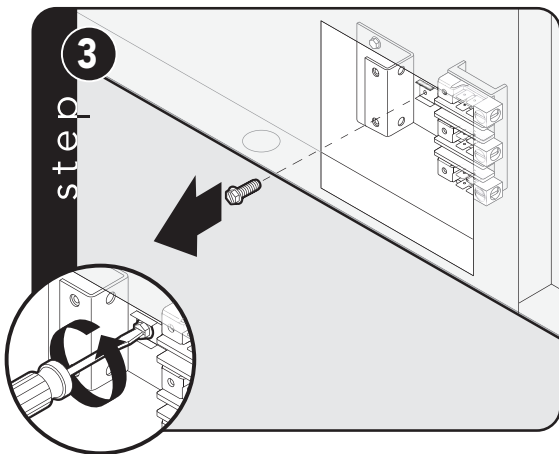
Remove access door.



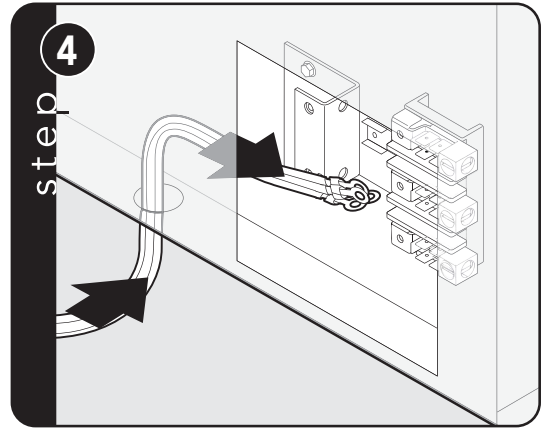
Remove supply cord strain relief bracket and three supply cord mounting screws on terminal block.

Electrical Connection

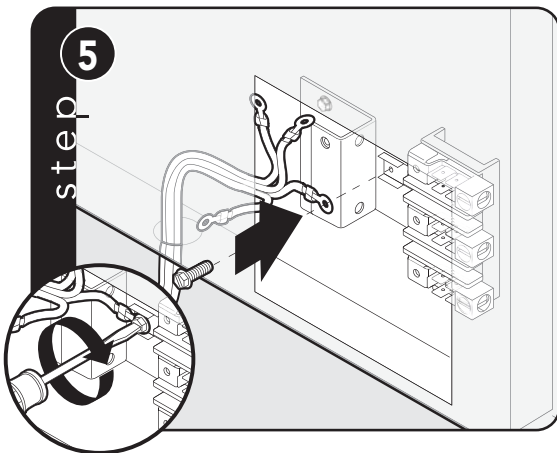
4-Wire (con't)



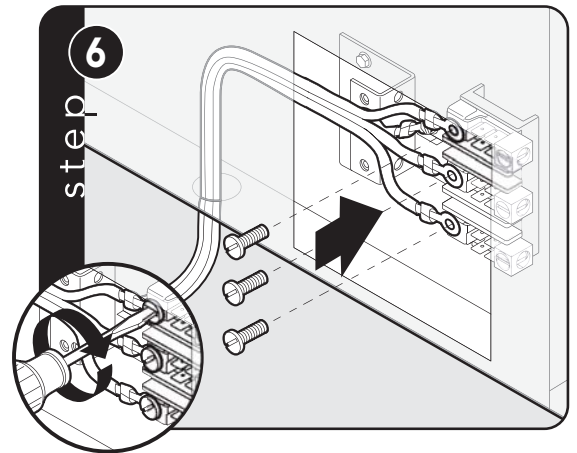
Remove grounding screw. Cut-off and discard ground strap.



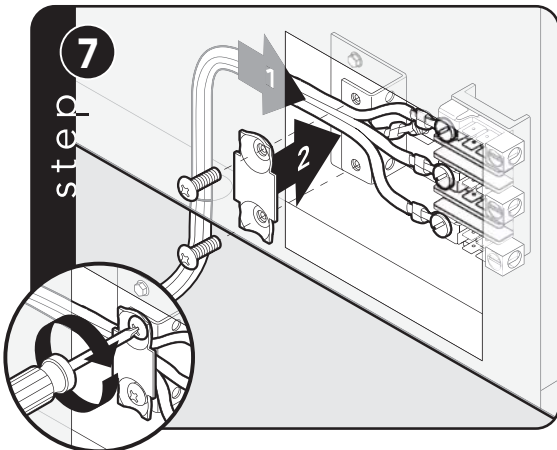
Feed supply cord up through hole in bottom of range back.



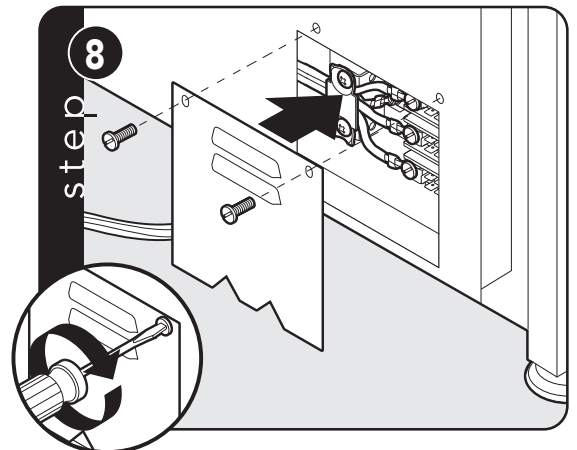
Attach ground lead (green) with ground screw that was removed.



Attach line #1 (red) and line #2 (black) leads to outside terminal. Attach neutral wire (white) to center terminal on terminal block.



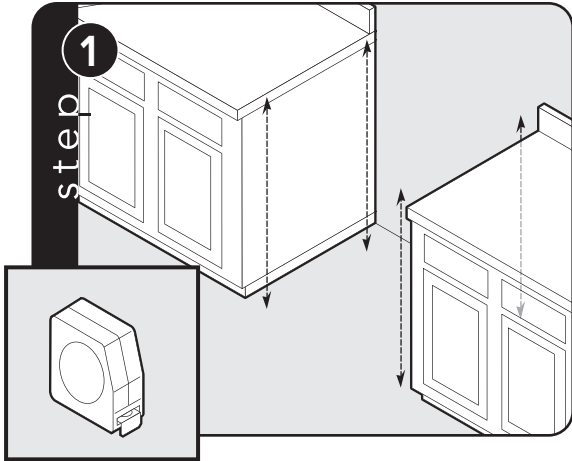
Push supply cord toward terminal block to relieve strain, reattach supply cord strain relief bracket over supply cord.



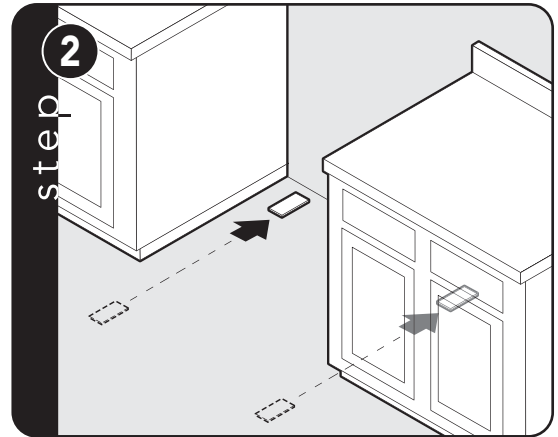
Reattach access door.

Installation

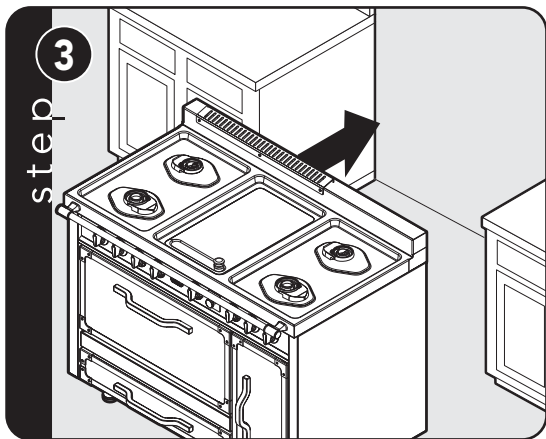
Leveling/Adjustments



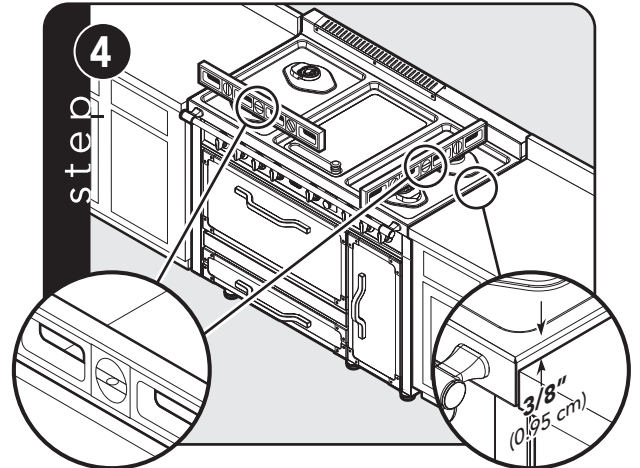
Measure the four corners in cutout area to verify if flooring is level.



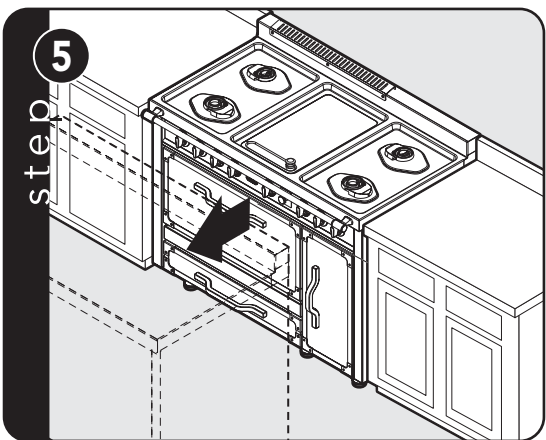
For uneven or sloped floors, level unit with metal shims only, as the adjustment required may exceed the thread available in the legs.



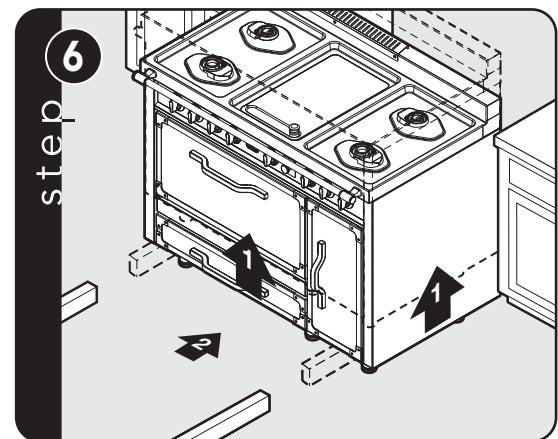
Move unit into opening.



Check that unit is level side to side and front to back. Side trim of the lowest corner must be 3/8" (0.95 cm) above countertop.



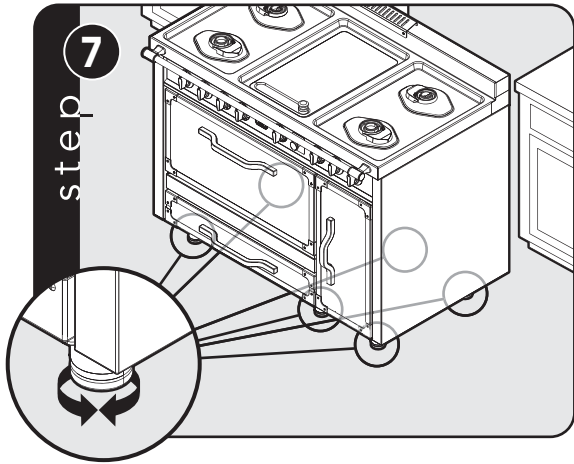
If leveling is required, move unit out of opening.



Lift unit and prop on wood blocks.

Installation

Leveling/Adjustments (con't)



Set the high corner of range so that the top of side trim is $3/8$ " (0.95 cm) above countertop. Level range to high corner.

Installation

Anti-tip Device Installation

Your range is shipped standard with two types of anti-tip devices. Type 1 is a wall mount device which can be used for all installation applications. Type 2 is a floor mount device which can be used for all applications other than when the range is installed on a concrete sub-floor.

Important: The range MUST be installed with one of the anti-tip devices.

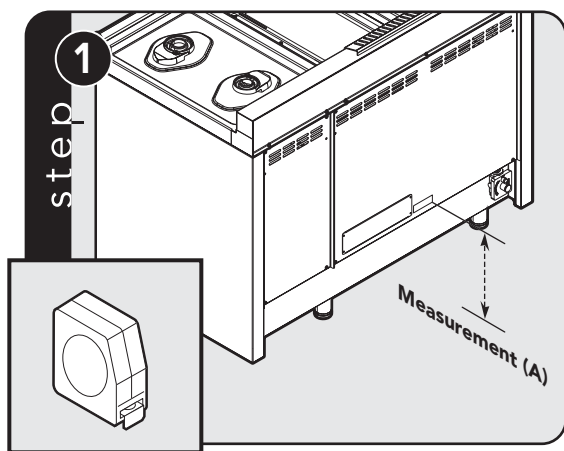
⚠ WARNING

TIPPING HAZARD

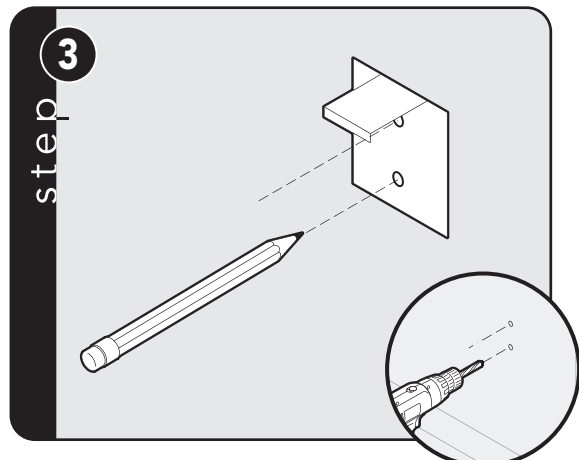
To reduce the risk of the appliance tipping, it must be secured by a properly installed anti-tip bracket(s). To make sure the bracket has been installed properly, look behind the range with a flashlight to verify proper installation engaged in the rear bottom left corner of the range.

- THIS RANGE CAN TIP.
- A CHILD OR ADULT CAN TIP THE RANGE AND BE KILLED.
- FAILURE TO INSTALL THE ANTI-TIP DEVICE CAN RESULT IN DEATH OR SERIOUS BURNS TO CHILDREN OR ADULTS.
- IF THE RANGE IS MOVED THEN THE ANTI-TIP DEVICE MUST BE RE-ENGAGED.

Wall Mount Installation

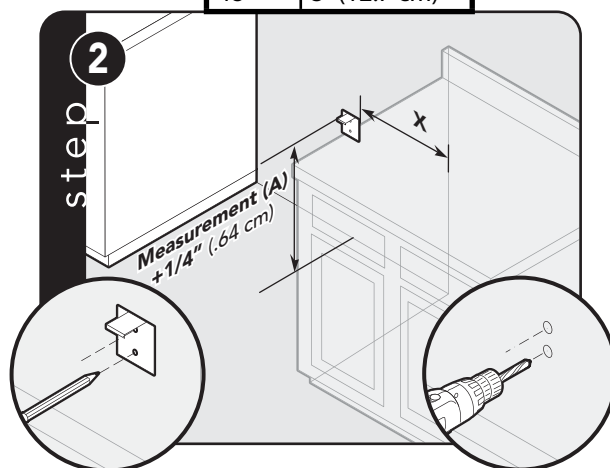


Measure from floor to bottom of the anti-tip opening located on the back of range. This will be measurement (A).

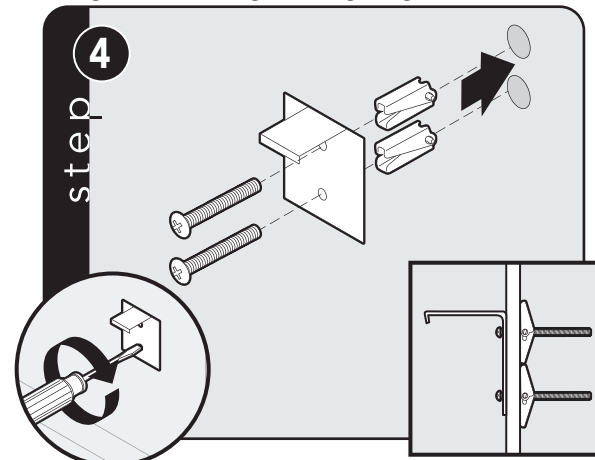


Mark and drill holes where bracket will be located.

Range Width	"X" Dimension
36"	8" (20.3 cm)
48"	5" (12.7 cm)



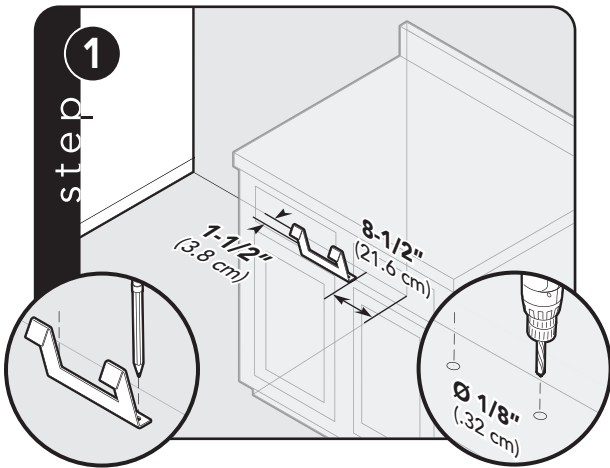
Locate anti-tip bracket on rear wall with the top left corner at measurement (A) plus 1/2" (1.3 cm) from the floor and "X" from where the right side of range (facing range) is to be located.



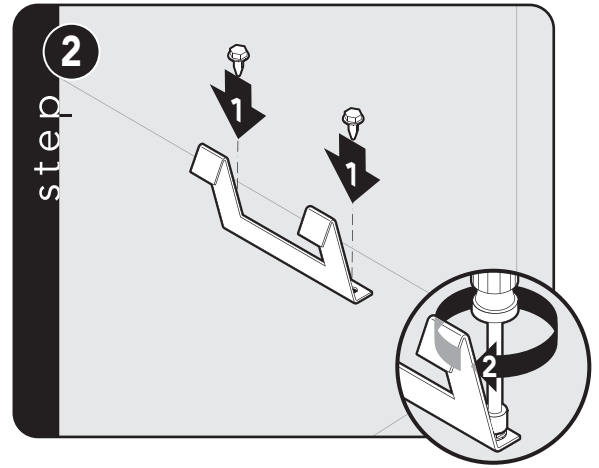
Attach bracket with mounting hardware provided.

Installation

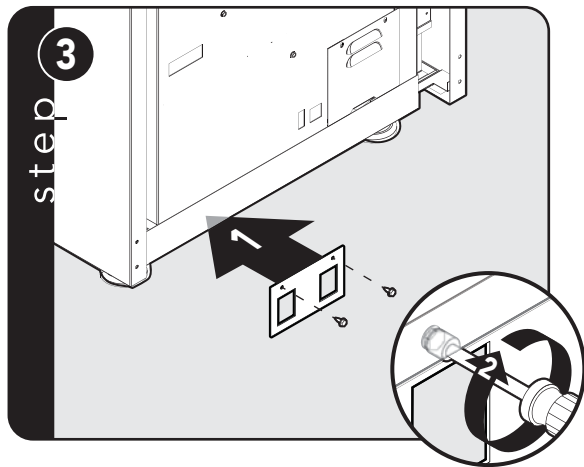
Floor Mount Installation



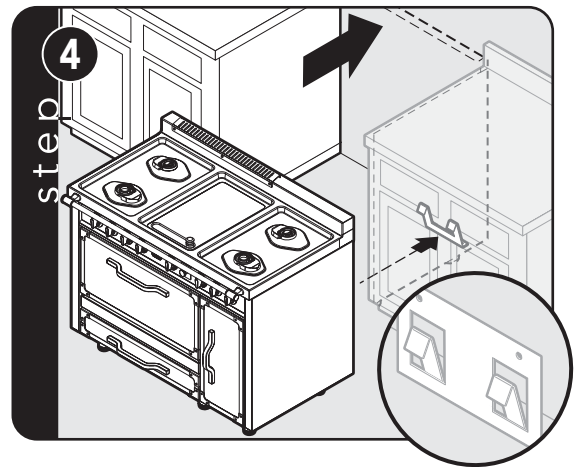
Locate anti-tip bracket hook on the floor 8-1/2" (21.6 cm) from side cabinet and 1-1/2" (3.8 cm) from rear wall. Mark and drill 1/8" (.32 cm) holes where bracket will be located.



Mount anti-tip bracket hook to floor using screws provided.



Attach bracket to back of range using two screws provided.



Slide range into place and check that hook and bracket are engaged.

Installation

Connecting Gas and Electric

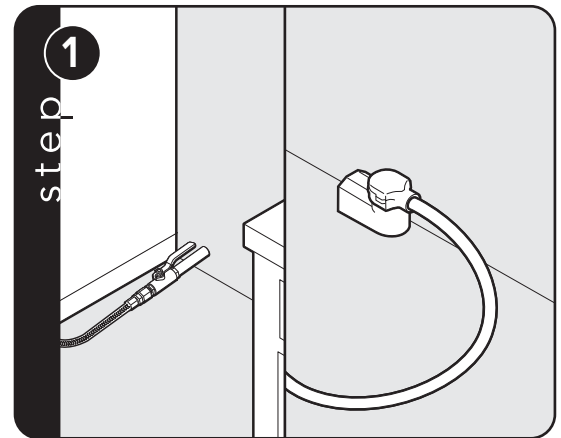
⚠ WARNING

GAS LEAK HAZARD

To avoid risk of personal injury or death; leak testing of the appliance must be conducted according to the manufacturer's instructions.

Before placing appliance in operation, always check for gas leaks with soapy water solution.

• **DO NOT USE AN OPEN FLAME TO CHECK FOR GAS LEAKS.**



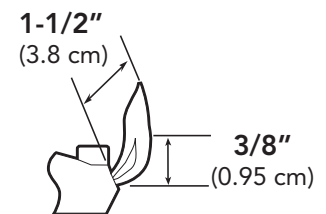
Final Preparation

All stainless steel body parts should be wiped with hot, soapy water and with a liquid cleaner designed for this material. If buildup occurs, DO NOT use steel wool, abrasive cloths, cleansers, or powders! If it is necessary to scrape stainless steel to remove encrusted materials, soak with hot, wet cloths to loosen the material, then use a wool or nylon scraper. DO NOT use a metal knife, spatula, or any other material tool to scrape stainless steel! Scratches are almost impossible to remove.

Performance Checklist

A qualified installer should carry out the following checks:

- Check top burner ignition. See drawing for proper flame height on HI. The low flame should light at every port.
- Check oven bake function—bake element on full power, center and outside broil elements at partial power.
- Convection bake function—bake and broil elements the same with the convection fan on.
- Check TruConvec function—element behind convection fan cover on and convection fan on.
- Check broil function—broil elements at full power.
- Check convection broil function—broil elements at full power with convection fan on.



Service Information

If service is required, call your authorized service agency.

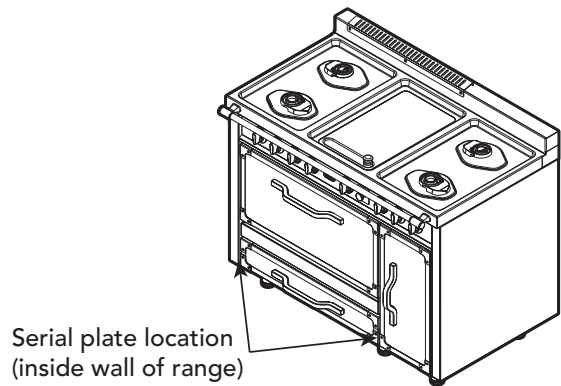
Have the following information readily available:

- Model number
- Serial number
- Date purchased
- Name of dealer from whom purchased

Clearly describe the problem that you are having. If you are unable to obtain the name of an authorized service agency, or if you continue to have service problems, contact 1-888-845-4641, or write to:

**VIKING RANGE, LLC
PREFERRED SERVICE
111 Front Street
Greenwood, Mississippi 38930 USA**

To locate the serial plate, remove the storage drawer and look on the inside wall of the range.



Record the following information indicated below. You will need it if service is ever required.

Model number _____

Serial number _____

Date of purchase _____

Date installed _____

Dealer's name _____

Address _____

These installation instructions should remain with the unit for future reference.

Viking Range, LLC
111 Front Street
Greenwood, Mississippi 38930 USA
(662) 455-1200

For product information, call 1-888-(845-4641)
or visit vikingrange.com in the US or brigade.ca in Canada