



## UNDERCOUNTER WINE CELLARS

*Viking Professional 5 Series – VWCI*

### PROFESSIONAL FEATURES

- Electronic controls with digital temperature readout
  - Temperature can be adjusted from 40 to 65 degrees F (4.4 to 18.3 degrees C); factory set at 50 degrees F (10 degrees C)
- Can be displayed in either Fahrenheit or Celsius
- Five full extension wine shelves
  - 24" wide model accommodates 45 bottles (5 on bottom)
  - 15" wide model accommodates 24 bottles (4 on bottom)
  - Shelves can be removed and adjusted to store large bottles
- Dual pane and argon-filled Low-E energy-efficient glass doors
- LED display lighting

### PROFESSIONAL-STYLE CONSTRUCTION

- Undercounter or freestanding installation
- Forced air cooling system
- Powerful 700 BTU compressor
- Stainless steel interior
- Stainless steel exterior cabinet
- Tru-Flush design allows refrigerator to fit flush into 24" deep installation cutout
- Self-closing door
- Super quiet 39 dB sound rating
- Black kickplate
- Adjustable leveling legs

### MODEL NUMBERS

- VWCI5150G(R/L)SS – 15"W. Wine Cellar
- VWCI5240G(R/L)SS – 24"W. Wine Cellar



### DESIGN OPTIONS

- Order as right or left hinge

### COLOR FINISHES

- Available in Stainless Steel (SS)

### WARRANTY

- 3-year full covers complete unit
- 6-year full – sealed refrigeration system
- 90-day full – cosmetic parts such as glass, painted items, and decorative items
- 12-year limited – sealed refrigeration system





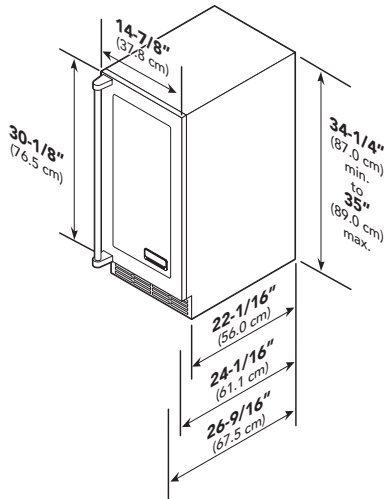
# UNDERCOUNTER WINE CELLARS

Viking Professional 5 Series – VWCI

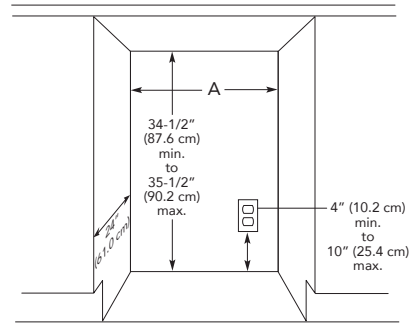
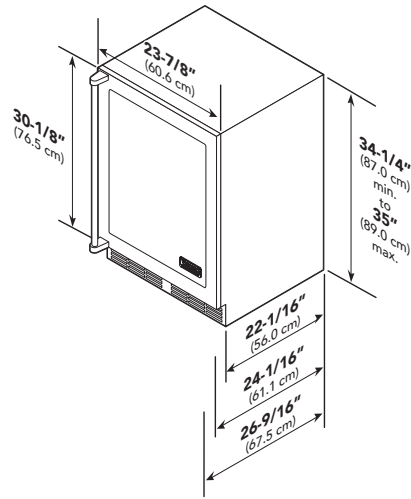
15" AND 24"W. UNDERCOUNTER/FREESTANDING WINE CELLAR		
DESCRIPTION	VWCI5150G	VWCI5240G
Overall Width	14-7/8" (37.8 cm)	23-7/8" (60.6 cm)
Overall Height	34-1/4" (87.0 cm) minimum; 35" (89.0 cm) maximum	
Overall Depth from Rear	To end of side panel – 22-1/16" (56.0 cm) To front of door panel – 24-1/16" (61.1 cm) To front of handle – 26-9/16" (67.5 cm)	
Cutout Width	15" (38.1 cm)	24" (61.0 cm)
Cutout Depth	24" (61.0 cm)	
Electrical Requirements	115VAC/60Hz; 15-amp dedicated circuit; 5' (152.4 cm) power cord attached to product	
Maximum Amp Usage	3.0 amps	
Maximum Storage Capacity	24 wine bottles	45 wine bottles
Approximate Shipping Weight	157 lb. (71 kg)	200 lb. (91.0 kg)

Please do not prepare installation from brochure data only. See installation instructions for important clearance/installation information.

## 15"W. UNDERCOUNTER WINE CELLAR

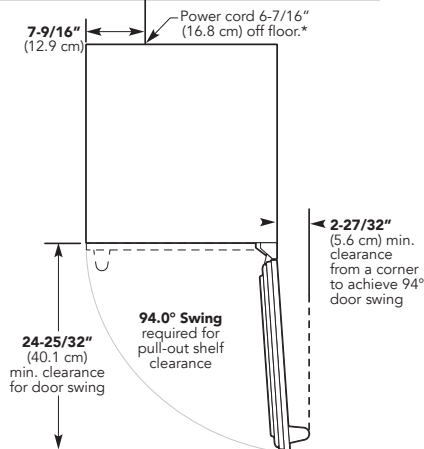
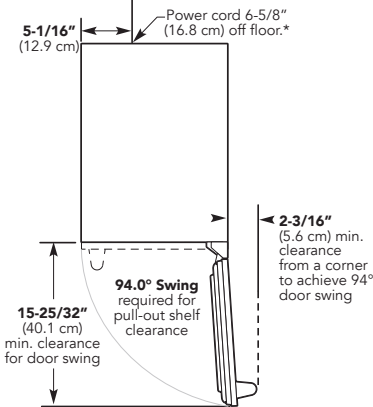


## 24"W. UNDERCOUNTER WINE CELLAR



50" (127.0 cm) area in which electrical outlet must be located

50" (127.0 cm) area in which electrical outlet must be located



A
15"W. Models – 15" (38.1 cm)
24"W. Models – 24" (61.0 cm)



VIKING RANGE, LLC 111 FRONT STREET GREENWOOD, MISSISSIPPI 38930 USA

For detailed product information, model numbers, or to request a quote call 1-888-845-4641 or visit [vikingrange.com](http://vikingrange.com)  
© 2014 Viking Range, LLC All rights reserved. Specifications subject to change without notice.