



VIGO INDUSTRIES INSTALLATION GUIDE FOR SHOWER ENCLOSURE (MODEL VG06031)

SAFETY PRECAUTIONS

This Installation Guide uses the following symbols to indicate important information. Always observe the instructions indicated by these symbols.

WARNING

Instructions that, if ignored, could result in death or serious personal injury caused by incorrect handling or installation of the product. These instructions must be observed for safe installation.

CAUTION

The instructions for the following unit is based off of the Vigo brand shower base. The instructions can not be provided for any other installation other than that of the Vigo brand. The warranty will be voided if the following was not performed properly.

IMPORTANT

Maintenance and other important non-personal injury and non-material damage instructions or statements that should be observed.

It is highly advised to dry fit the unit prior to any installation.

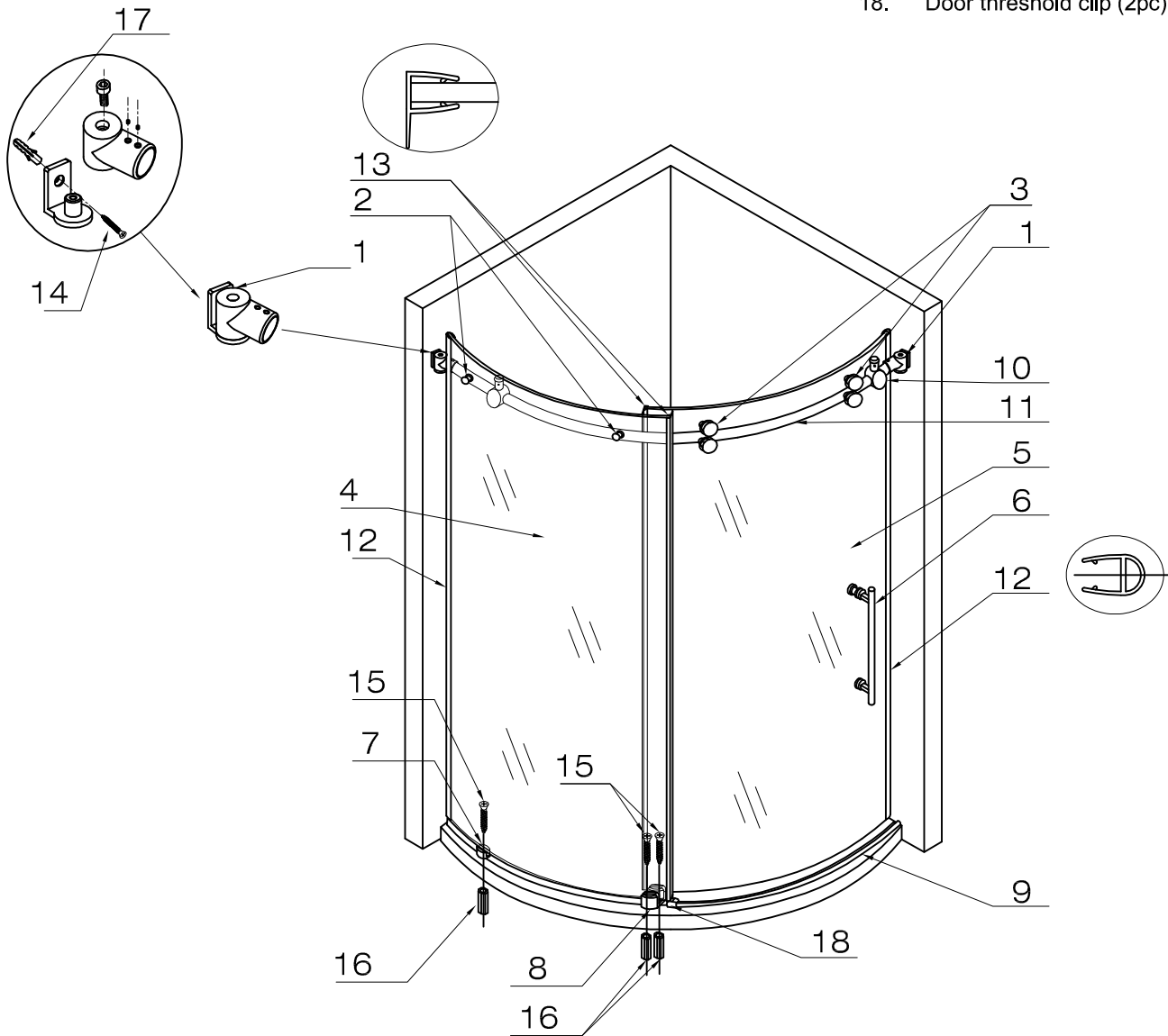
INSTALLATION INSTRUCTIONS FOR SHOWER ENCLOSURE

OWNER'S MANUAL

PLEASE READ INSTRUCTIONS BEFORE PROCEEDING

Packing List

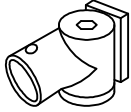





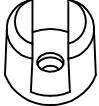




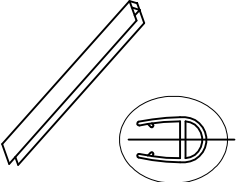
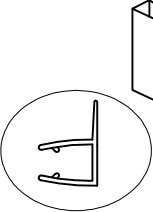


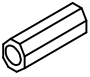
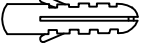

1. Wall mount brackets (2pc)
2. Fixed panel holders (2pc)
3. Rollers (4pc)
4. Fixed panel (1pc)
5. Door (1pc)
6. Handle assembly (1pc)
7. Fixed panel bottom clip (1 pc)
8. Bottom door guide (1 pc)
9. Door threshold (1pc)
10. Door stopper (2pc)
11. Structural rail (1pc)
12. Side seal strip (2pc)
13. Door seal strip (2pc + 1 extra)
14. Phillips screw 2" (2pc)
15. Phillips screw 1 1/8" (3pc)
16. Plastic anchor green (3pc)
17. Plastic anchor white (2pc)
18. Door threshold clip (2pc)

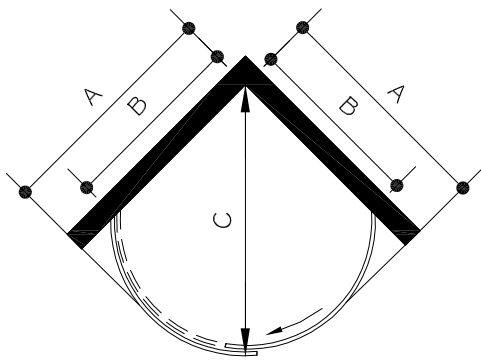


GLASS THICKNESS 5/16"

NOTE: INSTALLATION MUST BE DONE BY A QUALIFIED, LICENSED PROFESSIONAL

MODEL VG06031

<p>1. WALL MOUNT BRACKET ASSEMBLY 98018</p> 	<p>2. FIXED PANEL HOLDER 98026</p> 	<p>3. ROLLERS 98020</p> 	<p>4. FIXED PANEL 97017-36</p> 	<p>5. DOOR 97018</p> 
<p>6. HANDLE ASSEMBLY 98021</p> 	<p>7. FIXED PANEL BOTTOM CLIP 98028</p> 	<p>8. BOTTOM DOOR GUIDE 98029</p> 	<p>9. DOOR THRESHOLD 95007-36 95007-40</p> 	<p>10. DOOR STOPPER 98024</p> 
<p>11. STRUCTURAL RAIL 98030-36 98030-40</p> 	<p>12. SIDE SEAL STRIP 96001</p> 	<p>13. DOOR SEAL STRIP 96013</p> 	<p>14. PHILLIPS SCREW 2" 98036</p> 	<p>15. PHILLIPS SCREW 1 1/8" 98035</p> 
<p>16. PLASTIC ANCHORS 98037</p> 	<p>17. PLASTIC ANCHORS 98038</p> 	<p>18. DOOR THRESHOLD CLIP (LEFT & RIGHT) 94005R 94005L</p> 		



LIST DIMENSIONS	DIM. "A"	DIM. "B"	DIM. "C"	HEIGHT	DOOR PANEL	FIXED PANEL
36X36	38"	33 1/2"	43 3/4"	74 5/8"	34" x 74 3/8"	34" x 74 5/8"
40X40	40 5/8"	36"	46 3/4"	74 5/8"	36 3/8" x 74 3/8"	36 1/4" x 74 5/8"

DEPICTION ABOVE IS ONLY TO BE USED AS A GUIDE. IN NO WAY SHOULD YOU ATTEMPT TO BUILD A BASE OR CUB OFF THIS DIAGRAM. PLEASE CONTACT VIGO INDUSTRIES TECHNICAL SUPPORT FOR ANY FURTHER INFORMATION OR ASSISTANCE.

⚠ WARNING

WE STRONGLY RECOMMEND THAT A LICENSED PROFESSIONAL INSTALL THIS SHOWER CABIN AND INCLUDE THE ASSISTANCE OF A SECOND PERSON TO INSTALL THE DOOR UNIT. INSTALLATION OF THE SHOWER DOORS BY AN INEXPERIENCED PERSON MAY RESULT IN GLASS BREAKAGE AND, CONSEQUENTLY, CAUSE PERSONAL INJURY OR DEATH.

BEFORE STARTING

Compare items on your invoice with what you have received. Carefully review the Packing List on page 2. If any items are missing contact Vigo Industries at 1-866-591-7792.

REQUIRED TOOLS

- Square and/or Phillips #1 and #2 screwdriver
- Flat head screwdriver
- Electric drill plus 1/8", 3/16", or 7/32" drill bit (depending on wall)
- Level
- Measuring tape
- Pencil (non-permanent; HB)
- Clear silicone caulking
- Utility knife

⚠ WARNING

- Handle fragile items with care to prevent injury or material damage.
- Glass on panels and doors is tempered glass and must never be cut to prevent personal injury.

⊘ IMPORTANT

- Fiberglass or acrylic construction might not be sufficiently strong enough to support the shower door enclosure. You should use the wood framing from behind the face edge of the stall to provide a secure mounting to the door. Apply a bead of silicone between the walls and base of the stall.
- For optimum performance, you should install the shower door perfectly level on a level surface.

IMPORTANT:

THE TEXTURED SIDE OF THE MATTE GLASS UNIT SHOULD ALWAYS BE INSTALLED ON THE OUTSIDE OF THE UNIT. (SEE CONFIGURATION DIAGRAM BELOW)

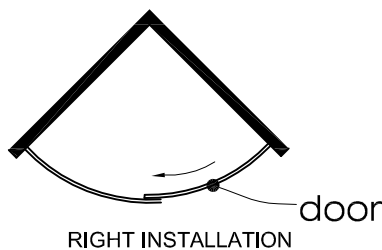
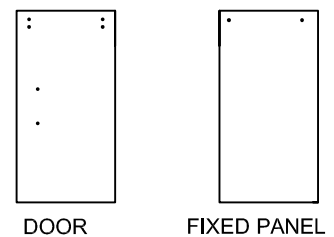
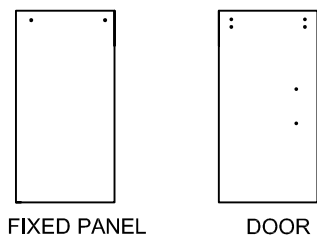
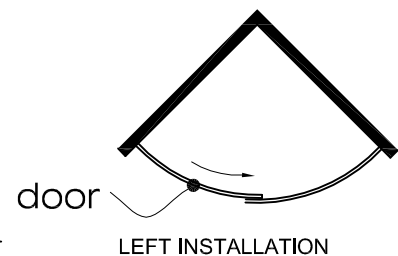


FIG. 1A (GLASS CONFIGURATION DIAGRAM)



MODEL VG06031

STEP 1: PRE- INSTALLATION

1. Due to individual site variations, exact guidelines for every situation cannot be supplied. The recommended framing and dimensional requirements shown are for a typical application and may vary depending on the site requirements.
2. Your shower enclosure should be installed in a leveled wall opening.
3. Ensure that there is sufficient structural support behind your shower wall to bare the weight of the door. If such is not the case, then prior to the installation of your shower wall you will need to reinforce the walls with wooden studs. see FIG. 1.
4. Make sure the overall size of the opening is appropriate for the shower enclosure. If necessary cut structural rail (on the door side) to match the length of the opening (see diagram on page 3).

STEP 2: FIXED PANEL INSTALLATION

1. Arrange the glass according to the configuration – see FIG. 1A, Page 4.
2. Slide door stoppers (10) to the structural rail (11) - see FIG. 2.
3. Place the seal strip (12) from the wall side of the fixed panel (4). See FIG.3.
4. Place structural rail (11) inside the wall mount bracket (1). Tighten two hex screws on the bracket. See FIG. 4, page 6. Repeat this step for another bracket.
5. Screw fixed panel (4) to the structural rail (11) with fixed panel holders (2), (FIG. 4, page 6).
7. Place fixed panel (4) with structural rail (11) in desired position. Use level to position it correctly, (FIG.5, page 6).
8. Holding fixed panel (4) in vertical position, place fixed panel bottom clip (7) and bottom door guide (8) under the fixed panel, (FIG.5, page 6).
9. Mark location of the wall mount bracket (1) on the wall.
10. Mark location of the fixed panel bottom clip (7) and bottom door guide (8) on the floor.
11. Remove front fixed panel (4) from the position in the opening.
12. Use the hex key to unscrew plate from wall mount bracket body (screw located on the top of the bracket).
13. Place wall mount bracket plate to the wall. Mark holes on the wall for mounting screw. Drill hole, place anchor (17) inside.
14. Place wall mount bracket plate (1) to the wall and screw plate with 2" screw (14).
15. Mark holes on the floor for fixed panel bottom clip (7) and bottom door guide (8) .
16. Remove fixed panel bottom clip (7) and bottom door guide (8) from the position on the floor, drill holes, place anchors (16) inside.
17. Screw fixed panel bottom clip (7) and bottom door guide (8) to the floor with 1 1/8" screw (15).
18. Place side glass panel and structural rail back to the shower opening.
19. Screw wall mount bracket body (1) to the wall mount bracket plate with the hex screw from the top of the bracket.
20. Tighten the hex screw of the wall mount bracket body (1) to the structural rail, see FIG. 4.

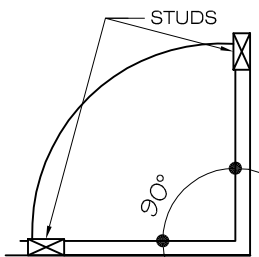


FIG.1

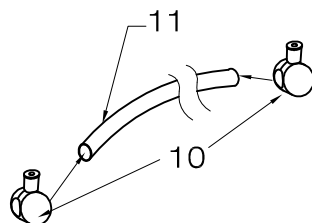


FIG. 2

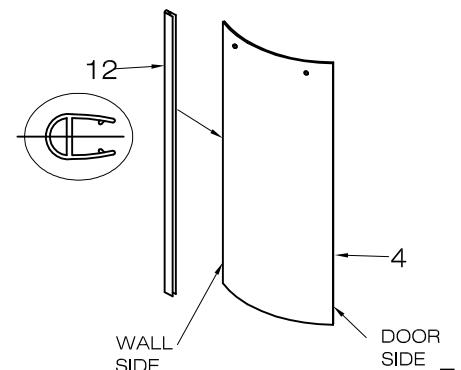


FIG. 3

MODEL VG06031

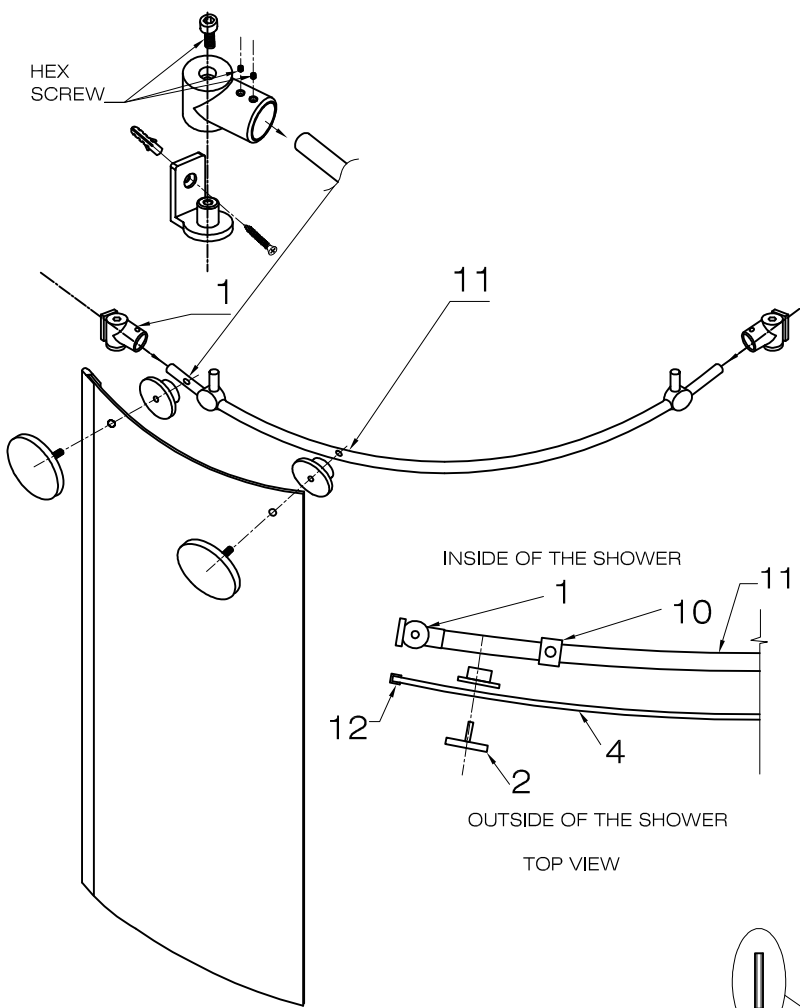


FIG. 4

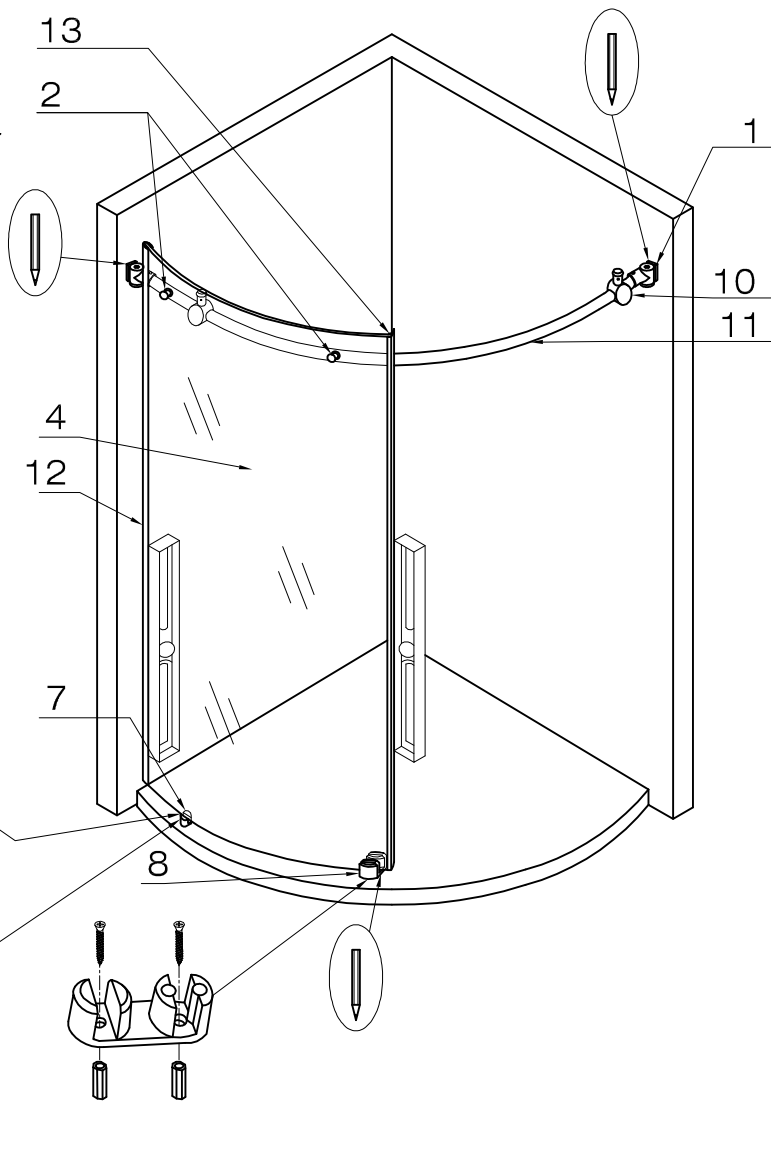
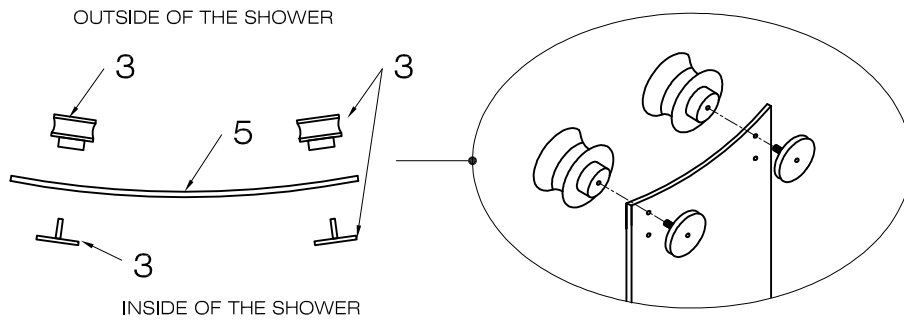


FIG. 5

STEP 3: DOOR INSTALLATION

1. Screw top rollers (3) to the door (5), see FIG. 6.
2. Place door (5) to the structural rail (11), see FIG. 7.
3. Screw bottom rollers (3) to the door (5), see FIG. 8.



TOP VIEW

FIG. 6

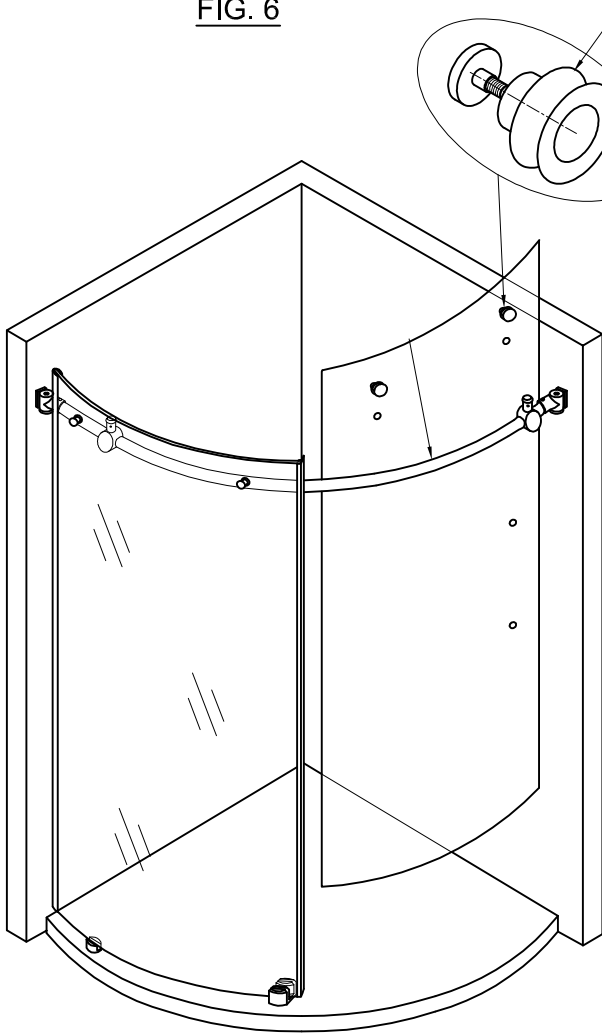


FIG. 7

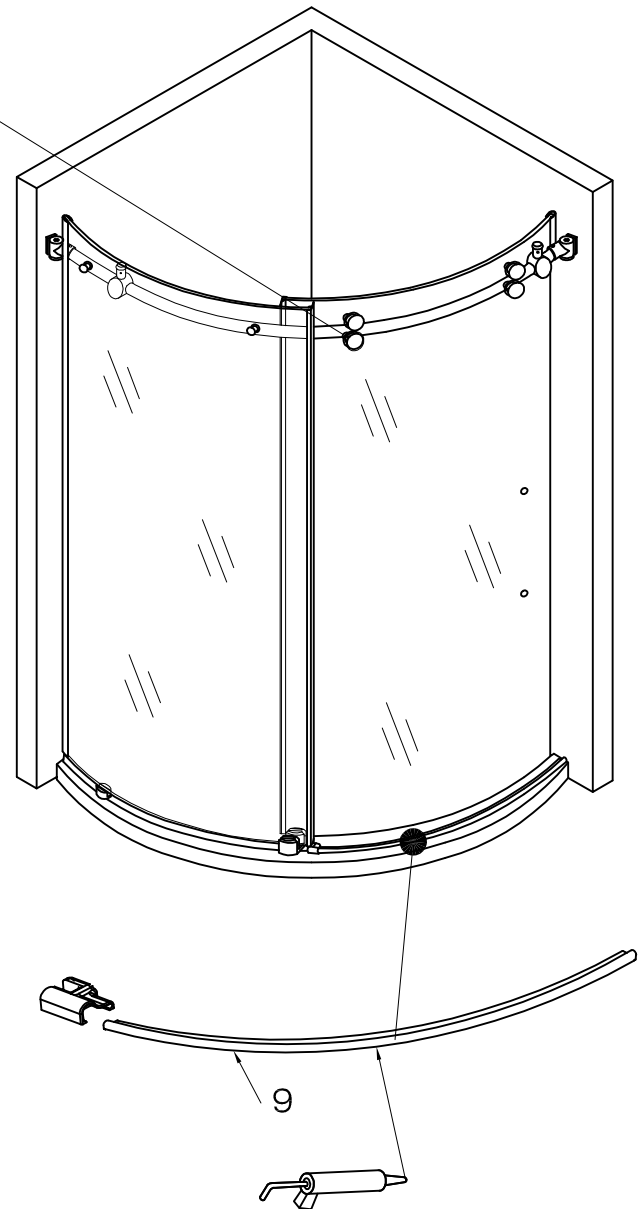


FIG. 8

STEP 4: THRESHOLD INSTALLATION

1. Seal bottom of end cup with clear silicone.
2. Seal bottom side of the threshold (9) with clear silicone.
3. Slide end cup to the fixed panel (4). Align threshold with the door and press down firmly.

STEP 5: HANDLE INSTALLATION

1. Unscrew handle holders from the handle (6).
2. Place handle to the position on the door with plastic washer on each side of the door (FIG. 9)
3. Tighten handle holders from inside of the shower.

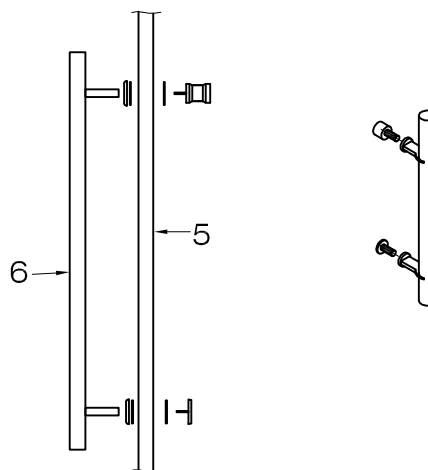


FIG. 9

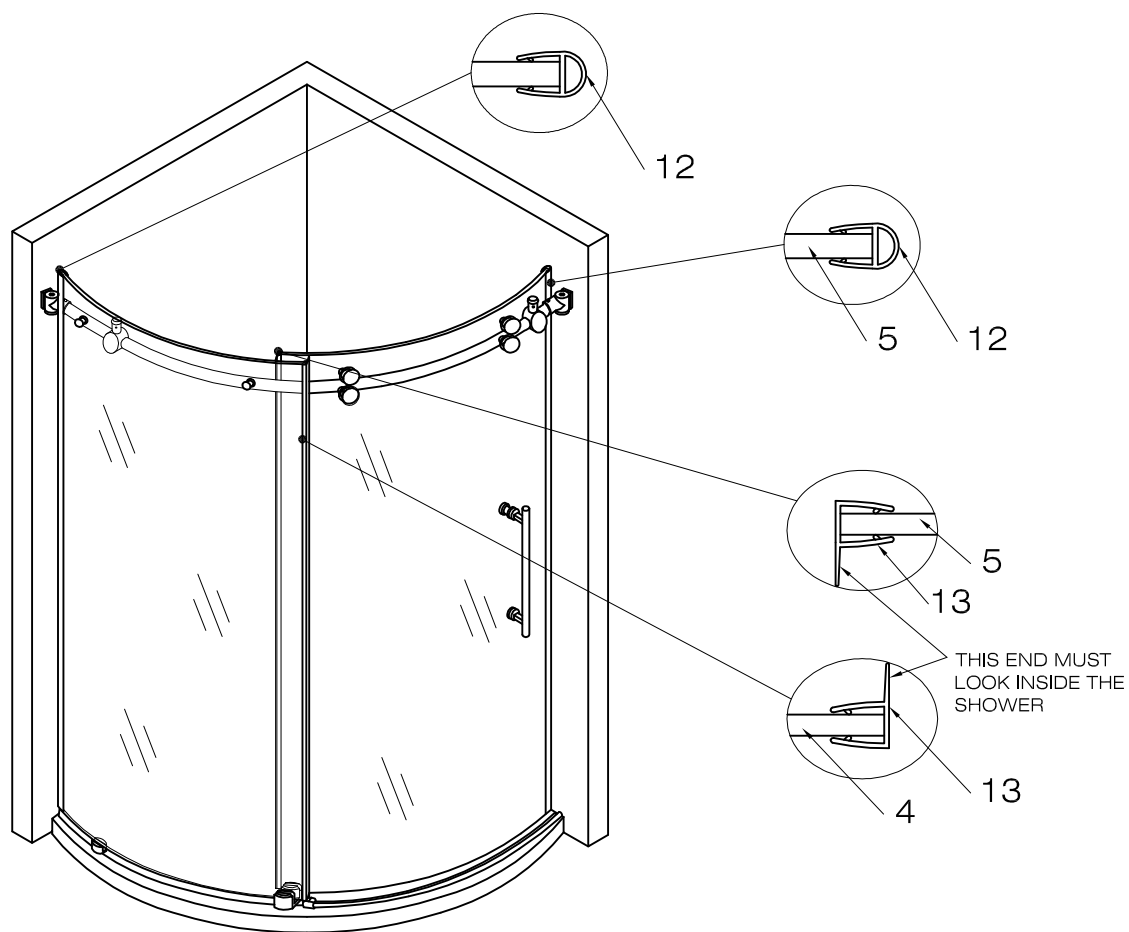


FIG.10

STEP 6: SEAL STRIP INSTALLATION

1. Place seal strip to the door and to the glass, see FIG. 10, page 8.

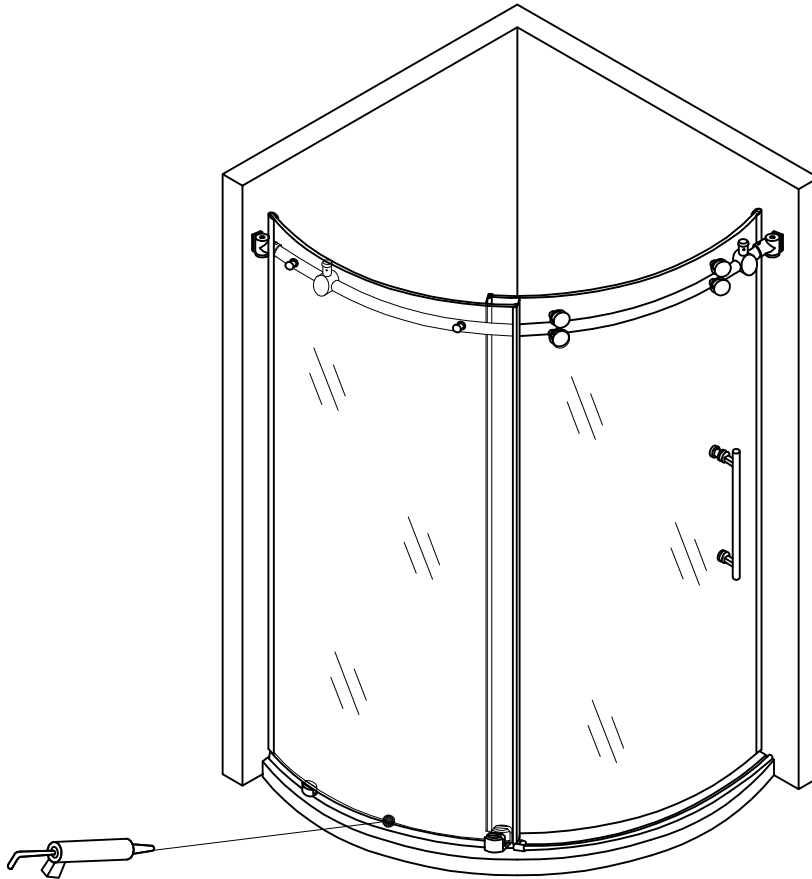


FIG.11

STEP 7: SILICONE.

1. Apply silicone all along the wall and floor on the interior of the shower enclosure. (FIG. 11)

**NOTE: DO NOT ALLOW DIRECT WATER ONTO
DOOR SEAL STRIP.**

WAIT 24 HOURS BEFORE USING THE SHOWER.

CLEANING INSTRUCTIONS FOR THE SHOWER CABIN AND DOOR PANEL

- A. Use mild liquid household cleaners to keep metal surface bright and clean. Rinse well and dry with a clean cloth.
- B. Remove dust with a soft, damp cloth.
- C. Use rubbing alcohol to clean and remove grease, oil, paint, and ink.
- D. Accidental scratches or stains will rarely show. If they do show, they can be easily removed with a liquid automobile polish.

IMPORTANT

- Do NOT use abrasive cleaners, scrapers, metal brushes, or any items/products that would scratch and/or dull surface.
- Do NOT allow surface to come into contact with acetone (nail polish remover), dry cleaning solution, lacquer thinner, gasoline, or any other similar product.

VIGO INDUSTRIES, LLC ("VIGO")
SHOWER ENCLOSURE LIMITED LIFETIME WARRANTY

EFFECTIVE JANUARY 1, 2010

VIGO offers the following limited warranty on each of its Shower Enclosure products* (the "Product") and the components thereof. This warranty extends only to the original owner or end-user for personal household use. For commercial uses, additional limitations apply.

VIGO warrants the structural glass component of the Product to be free from defects in workmanship and materials under normal use and service for the period commencing from the initial date of purchase by the owner or end-user, contractor, or builder, from VIGO or an authorized VIGO dealer, through the lifetime of the original owner or end-user.

VIGO warrants the hardware components of the Product to be free from defects in workmanship and materials under normal use and service for a period of two (2) years from the initial date of purchase by the owner or end-user, contractor, or builder, from VIGO or an authorized VIGO dealer.

VIGO warrants the seal strip components of the Product to be free from defects in workmanship and materials under normal use and service for a period of one (1) year from the initial date of purchase by the owner or end-user, contractor, or builder, from VIGO or an authorized VIGO dealer.

Subject to the Warranty Service provision below, any product reported to the authorized dealer or to VIGO as being defective within the warranty period will be repaired or replaced (with a product of equal value) at the option of VIGO. This warranty extends to the original owner or end-user and is not transferable to a subsequent owner.

Neither the distributor, authorized VIGO dealer, nor any other person has been authorized to make any affirmation, representation, or warranty other than those contained in this warranty. Any affirmation, representation, or warranty other than those contained in this warranty shall not be enforceable against VIGO or any other person.

VIGO reserves the right to modify this warranty at any time, it being understood that such modifications will not alter the warranty conditions applicable at the time of sale of the products in question.

Limitations

This warranty shall not apply to instances of incorrect operating procedures, breakages, or damages caused by fault through improper installation, carelessness, abuse, misuse, misapplication, improper maintenance, or alteration of the Product, as well as chemical or natural corrosion, accident, fire, flood, an act of God, or any other casualty. Avoid abrasive cleaners, steel wools, and harsh chemicals as these will scratch, damage, and / or dull the product and / or finish and void this warranty. The owner/end-user of the Product covered by the present warranty is entirely responsible for its proper installation and any applicable plumbing or electrical wiring. VIGO neither installs nor supervises the installation nor hires a contractor for this purpose; consequently, VIGO cannot be held responsible for any default, breakage, or damages caused thereby or resulting thereof, either directly or indirectly.

The owner/end-user must provide access to the components of the Product as described in the installation guide so that VIGO can execute the warranty specified herein. If such access is not available, all expenses to provide said access will be the responsibility of the owner/end-user.

This warranty does not apply to Products that have not been installed or operated in accordance with instructions supplied by VIGO and all applicable rules, regulations, and legislation pertaining to such installations.

This warranty does not apply unless the VIGO Product is installed by fully insured licensed professionals. VIGO strongly recommends that such licensed professionals have experience in the installation of bathroom and kitchen products. Installation of certain products, including, without limitation, glass products (i.e., shower doors and glass sinks) by an inexperienced person may result in glass breakage and, consequently, cause personal injury or death.

VIGO is not liable for personal injuries or deaths to any persons or for any direct, special, incidental, or consequential damage, loss of time, loss of profits, inconvenience, incidental expenses, labor or material charges, or any other costs resulting from the use of the product or equipment or pertaining to the application of the present warranty, or resulting from the removal or replacement of any product or element or part covered by this warranty.

EXCEPT AS OTHERWISE PROVIDED ABOVE, VIGO MAKES NO WARRANTIES, EXPRESSED OR IMPLIED, INCLUDING WARRANTIES OF MERCHANTABILITY AND FITNESS FOR A PARTICULAR PURPOSE OR COMPLIANCE WITH ANY CODE.

In any case, VIGO cannot be held liable for any amount over and above the purchase price paid for the Product by the owner/end-user, contractor, or builder.

Commercial Limitations

In addition to the above conditions and limitations, the warranty period for products installed for commercial applications or used in commercial ventures is one (1) year from the initial date of purchase by the owner/end-user, contractor, or builder from an authorized dealer. VIGO is not responsible for loss of use or profit under any circumstances. If the product is used as a display, the warranty period begins when the product is placed on display. This warranty gives the owner/end-user specific legal rights. The owner/end-user may also have other rights which can vary from one state or province to another.

Warranty Service

In order to obtain service provided under this warranty during regular business hours, contact the dealer or distributor who sold the unit, or contact VIGO directly. VIGO will provide the warranty service described above when the following conditions have been met: the failure is of the nature or type covered by the warranty; the user has informed an authorized VIGO Agent or VIGO's warranty service department representative of the nature of the problem during the warranty period; conclusive evidence (e.g., proof of purchase or installation) is provided to the foregoing by the user proving that the failure occurred or was discovered within the warranty period; an authorized independent service person or company representative has been permitted to inspect the product during regular business hours within a reasonable time after the problem was reported by the user. VIGO's warranty obligation shall be discharged upon tender of replacement or repair. The customer's refusal to accept the tender terminates VIGO's warranty obligations.

*Certain models are pending approval.

Certification may be ended by VIGO or certification agencies without notice.