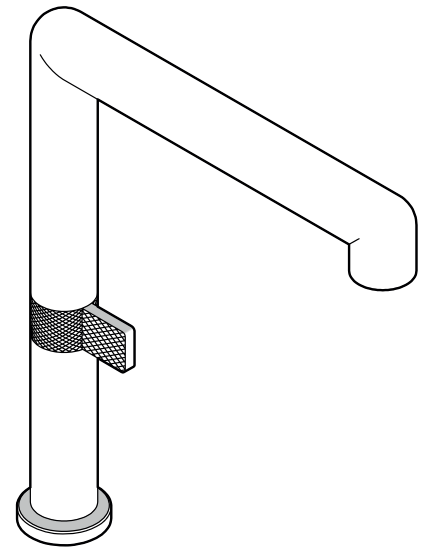


**VIGO Jewel Single Handle Kitchen Bar Faucet  
VG02053**



**PRODUCT FEATURES**

- 360° swivel spout
- 1.8 gpm flow rate
- Single-hole installation
- Designed in NYC
- PerformanceSpout™ conserves water without sacrificing pressure
- Diamond knurling detailing on the single handle lever adds chic charm to any design layout
- Removable aerator delivers a splash-free and continuous flow
- FinishPlated™ ensures that the hardware finish is consistent throughout the faucet.
- 11 in. space-saving height and faucet design for kitchen/bar areas with limited space
- All mounting hardware and hot/cold waterlines included
- EZInstall™ makes installing the single-hole kitchen faucet easy
- EternalSeal™ is an expertly tested ceramic cartridge that prevents leaks and dripping
- Solid brass construction with premium chrome finish
- Single-handle faucet ensures effortless water and temperature control
- VIGO finishes resist corrosion and tarnishing, exceeding industry durability standards

**CODES / STANDARDS**



- CEC (Title 20) flow rate compliant (A 1.8GPM flow rate stays within the CEC (Title 20) compliancy.)
- cUPC, NSF-61, NSF-372, CALGreen and AB1953 certified by IAPMO
- ADA compliant
- All VIGO Kitchen Faucets have a Limited Lifetime Warranty\*

**PACKING LIST**

- Faucet Assembly
- Allen Key
- Two Metal Braided
- Plastic Holder

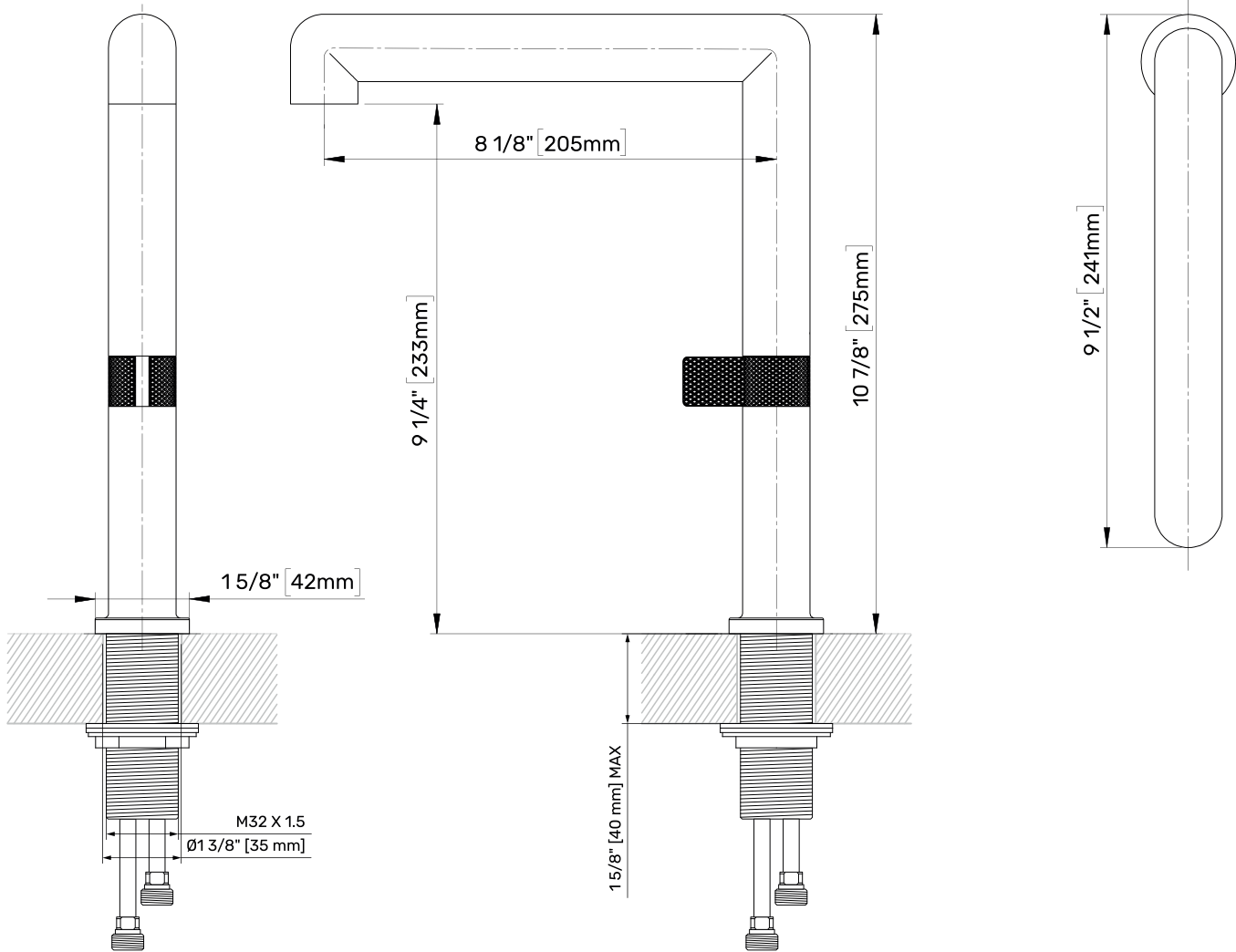
**MATERIAL**

- Housing material: Brass
- Valve material: Ceramic
- VIGO 7-layer coated finish resists corrosion and tarnish, maintaining a pristine look for years to come.

\* See website for detailed warranty information.

VIGO Jewel Single Handle Kitchen Bar Faucet

VG02053



DIMENSIONS			
Faucet height	10 7/8" (275mm)	Pressure	60 psi
Spout reach	8 1/8" (205mm)	Spout Type	N/A
Hose length	N/A	Spray mode	N/A
Spout swivel	360°	Water supply connection	Standard US plumbing 3/8" connections
Flow rate	1.8 gal/min		
Valve body	Brass	Installation compatibility	1-, 2-, 3- and 4-hole sink

**NOTE**

Install this product according to the installation instructions.

VIGO reserves the right to make revisions without prior notice.

For the most updated specifications, please go to:

[www.vigoindustries.com](http://www.vigoindustries.com)

or email us at:

[support@vigoindustries.com](mailto:support@vigoindustries.com)

**QUESTIONS?**

For installation help, missing or replacement parts, please contact our product specialist for consultation.

+1 866-591-7792 (Option 2) (9:30am - 5:30pm EST) | [techmail@vigoindustries.com](mailto:techmail@vigoindustries.com)

**CONNECT WITH US**

[f](#) [i](#) [p](#) [t](#)

**vigoindustries**