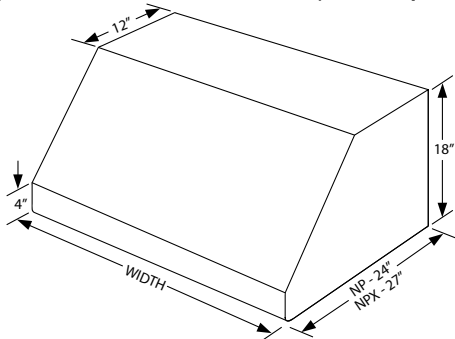


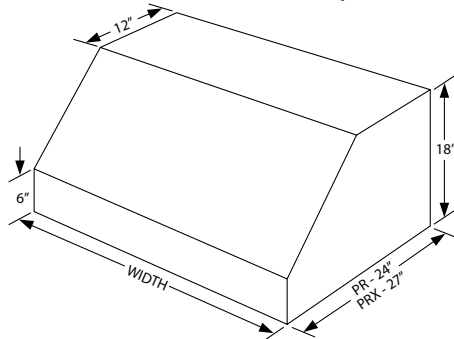
VentA Hood® WALL MOUNT RANGE HOOD SPECIFICATIONS

NP18/NPH18/NPX18/NPXH18/PR18/PRH18/PRX18/PRXH18/SL18/SLH18/SLX18/SLXH18

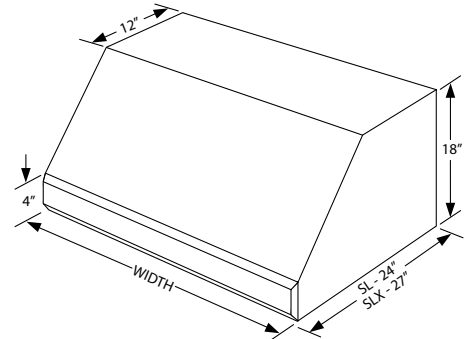
"H" in part number indicates halogen lighting. WBAR warming light bar is available on selected models (included on NP Series). X in part number indicates 27" depth.



NP(X)18/NP(X)H18
(Includes WBAR warming light bar)

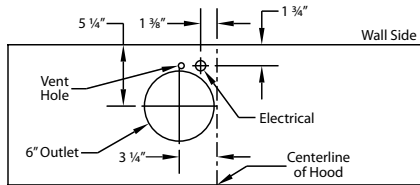


PR(X)18/PR(X)H18

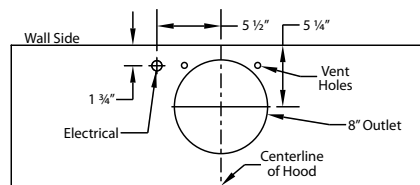


SL(X)18/SL(X)H18

Connection Diagrams (30" - 48" Widths)

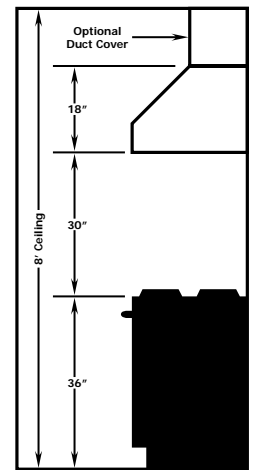


300 CFM B100 Single Blower
(Top View)



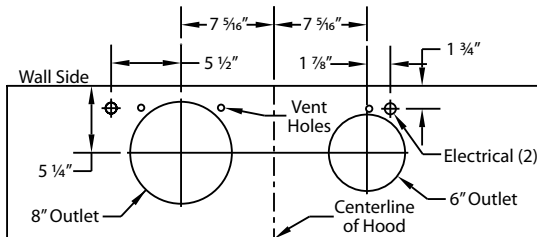
600 CFM B200 Dual Blower
(Top View)

Recommended Mounting Height*

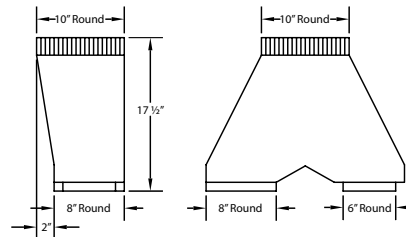


*Exceeding recommended mounting height may compromise performance.

Connection Diagram (42" - 60" Widths)

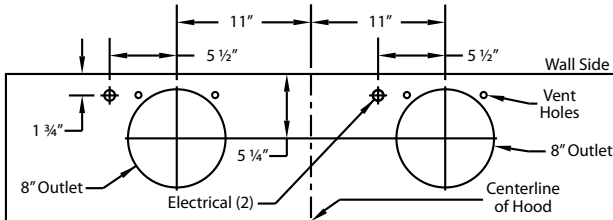


900 CFM B200 Dual & B100 Single Blower
(Top View)

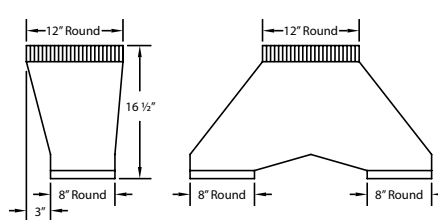


VP562 Transition (Optional) For B300
(B200 Dual Blower & B100 Single Blower)

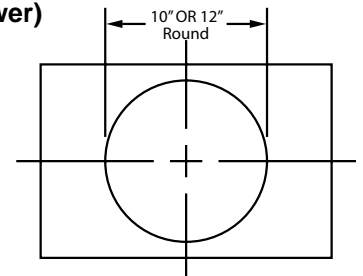
Connection Diagram (48" - 66" Widths)



1200 CFM Double B200 Dual Blowers
(Top View)



VP563 Transition (Optional) For B400
(Double B200 Dual Blowers)



VP562/VP563
transition
centers outlet
over top of hood

Electrical/Mechanical Specifications For Blower Units

| Model | Volts | Amps* | Hz | RPM | CFM SP@0.0" | Equivalent CFM* | CFM SP@0.1" | CFM SP@0.2" | CFM SP@0.3" | Minimum Round Duct Size | Sones# |
|-------------------------|-------|-------|----|------|-------------|-----------------|-------------|-------------|-------------|------------------------------------|--------|
| B100 Single | 115 | 1.5 | 60 | 1550 | 300 | 450 | 273 | 245 | 225 | 6" (28 in. ²) | 5.4 |
| B200 Dual | 115 | 2.9 | 60 | 1550 | 600 | 900 | 531 | 480 | 430 | 8" (50 in. ²) | 6.5 |
| B200 Dual & B100 Single | 115 | 4.4 | 60 | 1550 | 900 | 1350 | 804 | 725 | 655 | VP562: 10" (79 in. ²) | 6.3 |
| Two B200 Duals | 115 | 5.8 | 60 | 1550 | 1200 | 1800 | 1062 | 960 | 860 | VP563: 12" (113 in. ²) | 6.6 |

* Add 2.5 amp for each warming light and 0.5 amp for each halogen light. Hoods are available with fluorescent light (one for each single or dual blower) or with halogen lights (2 lights: 30" - 41", 3 lights: 42" - 53", 4 lights: 54" - 66", +1 light for each 14" if over 66").
 # Because the Magic Lung® blower uses centrifugal filtration rather than conventional baffle or mesh filters, the Magic Lung® blower can handle cooking equipment with higher cubic feet per minute (CFM) requirements and can deliver equivalent CFM much more efficiently than other than other filtration systems. When comparing the Magic Lung® with other blower units made by other manufacturers, use the "Equivalent CFM".
 # Ratings in accordance with the Standard Test Code by the Energy Systems Laboratory of the Texas Engineering Experiment Station.

