



Read and Save These Instructions
All Hoods Must Be Installed By A Qualified Installer

INSTALLATION INSTRUCTIONS

AH12 WALL MOUNT HOOD

Read All Instructions Thoroughly Before Beginning Installation

WARNING - TO REDUCE THE RISK OF FIRE, ELECTRIC SHOCK, OR INJURY TO PERSONS, OBSERVE THE FOLLOWING:

- A. Installation work and electrical wiring must be done by qualified person(s) in accordance with all applicable codes and standards, including fire-rated construction. Switch power off at service panel and lock the service disconnecting means to prevent power from being switched on accidentally during installation.**
- B. When cutting or drilling into wall or ceiling, do not damage electrical wiring and other hidden utilities.**
- C. Ducted fans must always be vented to the outdoors.**
- D. Sufficient air is needed for proper combustion and exhausting of gases through the flue (chimney) of fuel burning equipment to prevent back drafting. Follow the heating equipment manufacturer's guideline and safety standards such as those published by the National Fire Protection Association (NFPA), and the American Society for Heating, Refrigeration and Air Conditioning Engineers (ASHRAE), and local code authorities.**

WARNING - TO REDUCE THE RISK OF FIRE, USE ONLY METAL DUCTWORK

Vent-A-Hood®

Ducting Do's and Don'ts

NEVER restrict the duct size. The single blower unit (B100) requires 6" round duct or equivalent (28 square inches), and the dual blower unit (B200) requires 8" round duct or equivalent (50 square inches). Using Vent-A-Hood transitions (back page) will ensure proper efficiency.

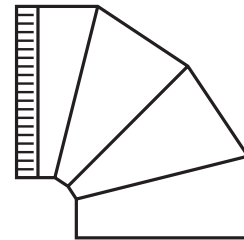
Blower	Duct Size	Sq. Inch Area	Vent-A-Hood Transition
Single (B100)	6" round or equivalent	28"	N/A
Dual (B200)	8" round or equivalent	50"	N/A

Do not use flexible or corrugated duct. This type of duct will restrict airflow and reduce performance. Only use smooth, galvanized, metal duct. Observe local codes regarding special duct requirements and placement of duct against combustibles. Make the duct run as short and as straight as possible with as few turns as possible. Avoid sharp-angled turns. Instead, use smooth, gradual turns such as adjustable elbows or 45 degree angled turns. For duct runs over 20 feet, increase the duct diameter by one inch for every ten feet of duct. A 90 degree elbow is equal to 5 feet of duct. Using Vent-A-Hood roof jacks or wall louvers (back page) will ensure proper efficiency. Airflow must not be restricted at the end of the duct run. Do not use screen wire or spring-loaded doors on wall louvers or roof jacks. Do not terminate venting into an attic or chimney. Where possible, seal joints with duct tape. The hood must be ducted to the outdoors without restrictions.

YES

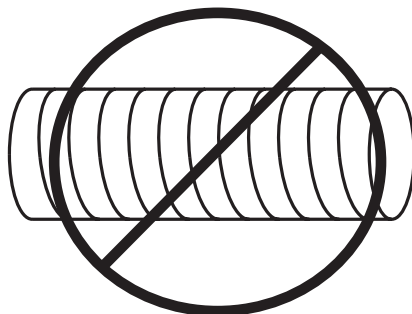


Smooth Duct

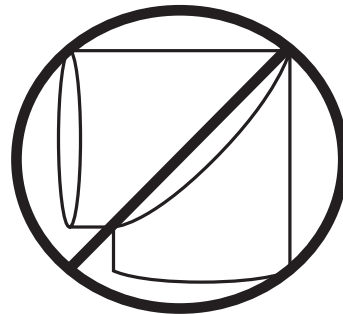


Smooth Gradual Turn

NO



Flexible Duct

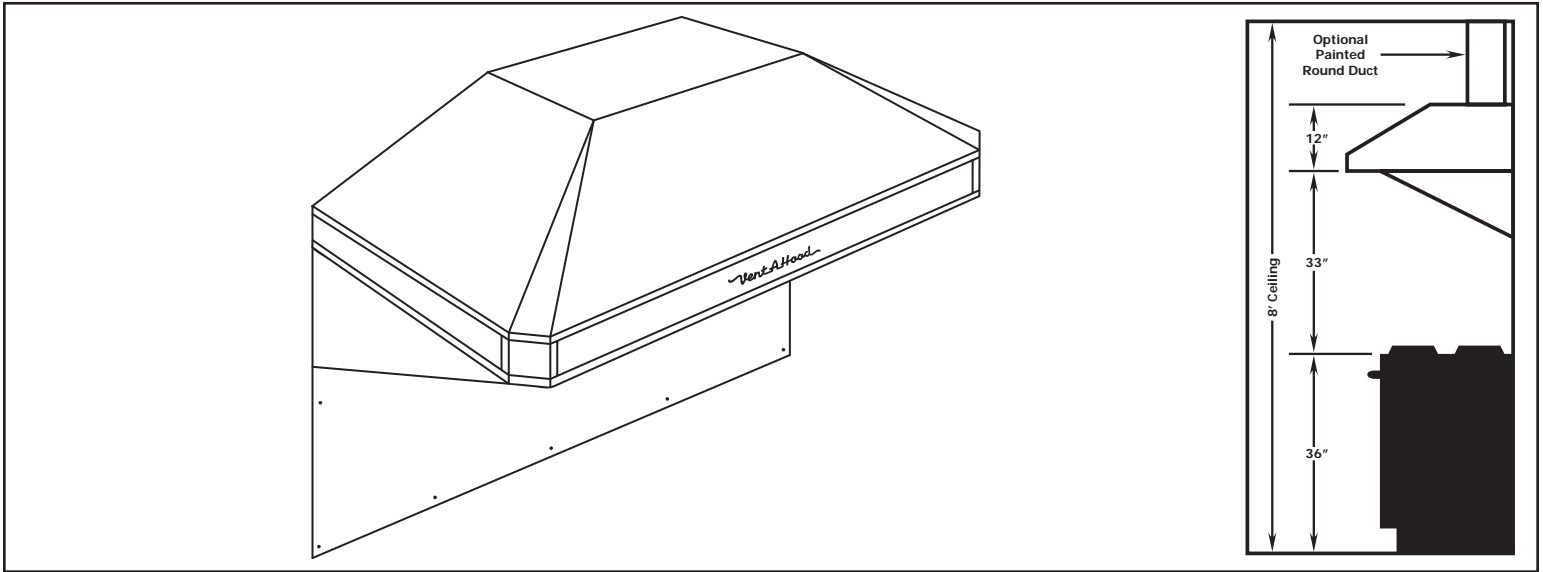


Sharp Angled Turns

Vent-A-Hood®

Installation Details

- 1) Read all instructions thoroughly before beginning installation.
- 2) When installing an AH12 wall mount hood, it is recommended that the bottom edge of the hood be located no more than 33" from the cooking surface. Exceeding recommended mounting height may compromise performance.

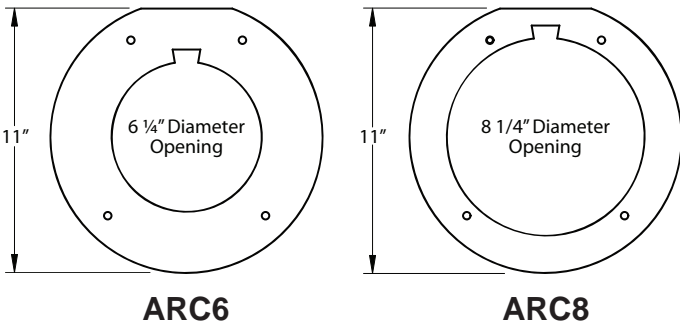


- 3) Install the duct from the outside of the home to the ceiling over the exhaust outlet of the hood. The end of the duct should terminate 1" above the ceiling. Consult the connection diagram (on next page) for further details on exhaust outlet placement.

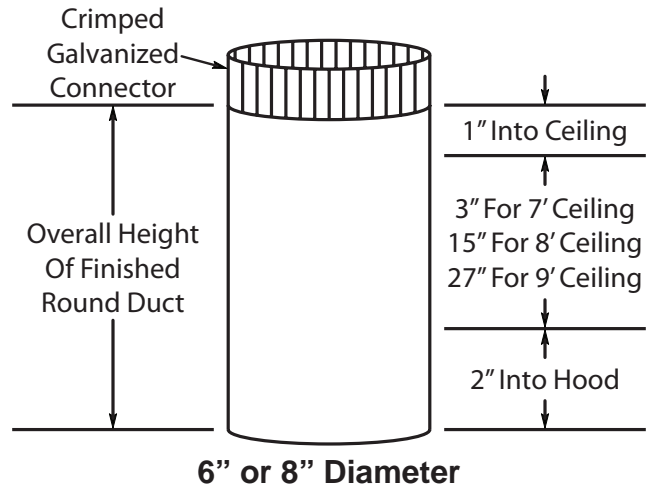
Use duct tape to seal all joints. A complete listing of available Vent-A-Hood ducting materials is provided on the back page of this instruction sheet.

- 4) Place the ceiling collar on the ceiling with the notched side 1/16" from the wall. Center the ceiling collar over the location where the hood will hang. Trace the opening and the four screw holes from the plate onto the ceiling. Remove the ceiling collar and cut the center opening in the ceiling as marked. Place the ceiling collar back onto the ceiling, aligning the screw holes with the marks on the ceiling. Using appropriate hardware, secure the ceiling collar to the ceiling through the four screw holes.

Optional Ceiling Collar



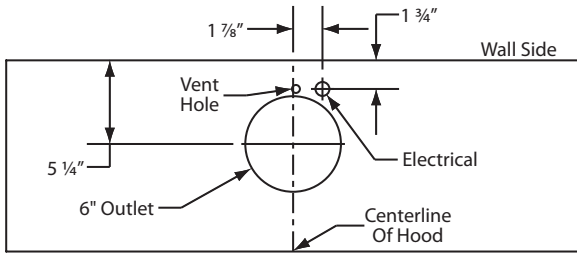
Optional Painted Round Duct



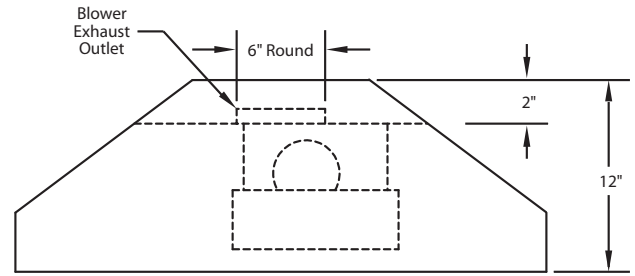
Vent-A-Hood®

Installation Details Continued

Connection Diagram (30" - 48" Widths)

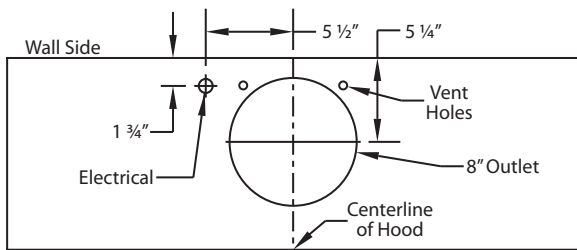


**300 CFM B100 Single Blower
(Top View)**

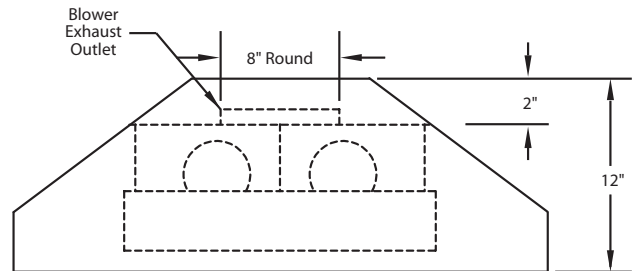


(Front View)

Connection Diagram (36" - 48" Widths)

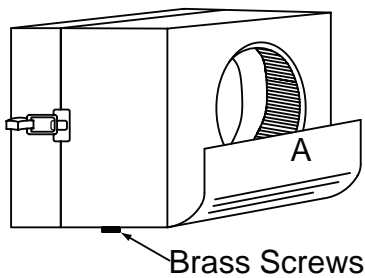


**600 CFM B200 Dual Blower
(Top View)**

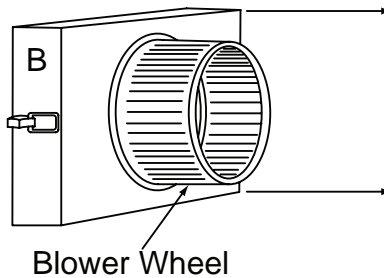


(Front View)

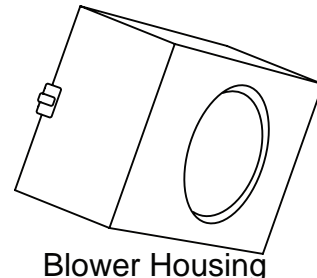
- 5) Remove the hood and the painted round duct from their packaging and place the back of the hood on the floor or countertop in front of the wall where it will hang. The painted round duct will be used later in Step 12.
- 6) Remove the blower shield (A) by loosening the two brass screws on the bottom of the shield. Gently close the back draft damper(s) from the top side of the hood. Unsnap the suitcase latches (B) (one on each side of the blower housing). The blower housing should be pulled forward and gently "tipped" to clear the blower wheel(s) and then out of the hood.



Brass Screws

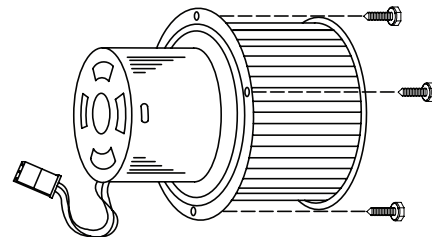


Blower Wheel



Blower Housing

- 7) Remove the three screws retaining the blower motor(s). Unplug and remove the motor(s), taking care not to damage the blower wheel(s). It is not necessary to remove the blower wheel(s) from the motor(s).



Warning: Make sure power is off and locked at the service disconnecting means on the service panel during installation.



Installation Details Continued

- 8) Install an appropriate 1/2" UL listed electrical wire clamp through the motor box electrical opening on top of the hood. Install electrical wiring from the service panel to the hood location for the motor box. Consult the connection diagram (on previous page) for further details on electrical placement. Extend wire to the hood. Electrical hook up will occur before the hood is installed on the wall.

Model	Volts	Amps*	Hz	RPM	CFM SP@0.0"	Equivalent CFM*	CFM SP@0.1"	CFM SP@0.2"	CFM SP@0.3"	Minimum Round Duct Size	Sones [#]
B100 Single	115	1.5	60	1550	300	450	273	245	225	6" (28 in. ²)	5.4
B200 Dual	115	2.9	60	1550	600	900	531	480	430	8" (50 in. ²)	6.5

* Add 0.5 amp for each halogen light.

• Because the Magic Lung[®] blower uses centrifugal filtration rather than conventional baffle or mesh filters, the Magic Lung[®] blower can handle cooking equipment with higher cubic feet per minute (CFM) requirements and can deliver equivalent CFM much more efficiently than other than other filtration systems. When comparing the Magic Lung[®] with other blower units made by other manufacturers, use the "Equivalent CFM".

[#] Ratings in accordance with the Standard Test Code by the Energy Systems Laboratory of the Texas Engineering Experiment Station.

- 9) Mark the wall with a level, horizontal line that is located 43" above the cooking surface. Measure where the center (left to right) of the hood will be and mark the horizontal line on the wall with a short, vertical centerline.

- 10) Remove the screws inside the top of the back of the hood that retain the wood mounting strip that is recessed in the mounting channel. Note: Some retaining screws may be located inside the motor box. Remove the wood mounting strip from the back of the hood and place the top edge of the strip on the level horizontal line on the wall. Referencing the vertical centerline from Step 9, place the mounting strip so it is centered (left to right) on the wall in the space where the hood will be located. In line with at least two wall studs, drill pilot holes in the wood mounting strip to prevent splitting. Using proper hardware, attach the mounting strip to the wall and into the wall studs.

- 11) Hang the hood by aligning the channel at the top of the back of the hood over the wood mounting strip on the wall. While holding the hood in place, mark locations on the wood mounting strip through the two mounting holes in the channel at the top of the hood. Some mounting holes may be located inside the motor box. Remove the hood and drill 3/32" pilot holes at the center of the marks in the wood mounting strip to prevent splitting.

- 12) Remove the wire channel cover from the back of the painted round duct. Insert the painted round duct, crimped end up, into the exhaust collar on the hood. Seal joint with duct tape. Insert the electrical wire from the service panel through the electrical wire clamp on the motor box. Tighten the wire clamp. Guide the electrical wire into the electrical wire channel and press the wire channel cover back into place, taking care not to pinch the electrical wire.

- 13) Lift the hood into position while aligning the painted round duct with the ceiling collar. As the hood is lifted into position, secure the slack in the electrical wire to ensure that the electrical wire does not get pinched. Secure the hood to the wood mounting strip by installing the screws (previously removed from the strip in Step 10) into the pilot holes drilled in Step 11.

- 14) From inside the hood, using UL listed wire nuts, attach the "neutral" wire to the white lead inside the motor box, the "hot" wire to the black lead inside the motor box, and the ground wire to the green lead inside the motor box.

Warning: Do not operate hood without proper ground connection.

- 15) Plug the motor(s) into the hood and reinstall the blower motor retaining screws that were previously removed in Step 7.

- 16) Replace the blower housing and the blower shield. Make sure that the damper(s) open and close smoothly.

- 17) Refer to the Owner Maintenance Guide Operating Instructions for proper hood operation. Test all blower and light functions to ensure they are operating properly.

VENTING



ACCESSORIES

WALL LOUVER

MODEL	DIM
VP526	6" Round
VP527	7" Round
VP528	8" Round

WALL LOUVER

MODEL	DIM
VP554	10" Round

WALL LOUVER

MODEL	DIM
VP555	12" Round

RECTANGULAR WALL LOUVER

MODEL	DIM
VP538	6" x 8 1/2"
VP560	3 1/4" x 10"

LOW PROFILE ROOF JACK (MAXIMUM 4/12 PITCH)

MODEL	DIM
VP539	6" Round
VP540	7" Round
VP541	8" Round

LOW PROFILE ROOF JACK (MAXIMUM 4/12 PITCH)

MODEL	DIM
VP552	10" Round
VP553	12" Round

ADJUSTABLE ELBOW

VP513 - 8 1/2"
VP514 - 9 3/16"
VP515 - 10 3/8"

MODEL	DIM
VP513	6" Round
VP514	7" Round
VP515	8" Round

BACK/SIDE VENT ELBOW

MODEL	DIM
VP561	8" to 6" x 8 1/2"

3 1/4" x 10" BACK VENT ELBOW

MODEL	DIM
VP559	3 1/4" x 10"

MULTI-BLOWER TRANSITION

VP562 - 17 1/2"
VP563 - 16 1/2"
VP562 - 23 1/4"
VP563 - 30 1/2"

MODEL	DIM
VP562	6" & 8" to 10"
VP563	8" & 8" to 12"

"Y" TRANSITION

MODEL	DIM
VP517	8" & 8" to 12"
VP518	6" & 8" to 12"
VP551	6" & 8" to 10"

3 1/4" x 10" TO 7" TRANSITION

MODEL	DIM
VP521	3 1/4" x 10" to 7"

OFFSET KIT - ROUND

MODEL	DIM
VP529	6" Rnd to 7" Rnd

OFFSET KIT - RECTANGULAR

MODEL	DIM
VP550	6" Rnd to 3 1/4" x 10"

STANDARD ISLAND TRANSITION

MODEL	DIM
VP565	5" x 16" to 8"

CLUSTER BLOWER TRANSITION

MODEL	DIM
VP564	8" & 8" to 12"

OFFSET L & R TRANSITION FOR ISLAND BLOWERS

MODEL	DIM
VP542	Top Left
VP543	Top Right

SIDE VENT TRANSITION L & R FOR ISLAND BLOWERS

MODEL	DIM
VP544	Left Side
VP545	Right Side

6" & 8" COLLAR

MODEL	DIM
VP533	6" Round
VP535	8" Round

6" x 8 1/2" COLLAR

MODEL	DIM
VP537	6" x 8 1/2"

ROUND DUCT PIPE

MODEL	DIM
VP500	6" Round
VP501	7" Round
VP502	8" Round

3 1/4" RECTANGULAR DUCT PIPE

MODEL	DIM
VP504	3 1/4" x 10"
VP505	3 1/4" x 12"
VP506	3 1/4" x 16"

6" RECTANGULAR DUCT PIPE

MODEL	DIM
VP507	6" x 8 1/2"