

aireRyder

LIMITED LIFETIME WARRANTY

Model No.: F0006

aireRyder ORIGINAL CEILING FAN LIMITED LIFETIME WARRANTY

The limited lifetime warranty covers this ceiling fan, for residential use by the original purchaser, against defects in material or workmanship as follows:

If your aireRyder Ceiling Fan motor fails at any time during the lifetime of the original purchaser due to defects in material or workmanship, we will provide a replacement part free of charge.

If your Fan motor fails at any time within one year after the original date of sale to the original purchaser due to defects in material or workmanship, we will provide labor to repair the defect, with the exception of take down/reinstallation, free of charge. The original purchaser will be responsible for all labor costs after this one year period.

If no replacement parts are provided for any part of your Fan motor that fails at any time during your lifetime due to defects in material or workmanship, we will refund the original purchase price of your Fan.

If your Fan blades, reverse switch, or any accessory, except glass globes and light bulbs, fails at any time within one year after the original date of purchase due to a defect in material and workmanship, we will repair or, if we choose, replace the defective blades, switch, or accessory free of charge, with the exception of take down/reinstallation services.

If the original purchaser ceases to own the Fan, this warranty and any implied warranty, including but not limited to any implied warranty of merchantability or fitness for a particular purpose, become void. This warranty and any implied warranty, including but not limited to any implied warranty of merchantability or fitness for a particular purpose, do not cover glass globes, light bulbs, or finish on any metal portions of the Fan.

This warranty is in lieu of express warranties. The duration of any implied warranty of merchantability or fitness for a particular purpose, with respect to any aireRyder Ceiling Fan motor, blades, switch, or accessories, is expressly limited to the period of the express warranty set forth above for such motor, blades, switch, or accessories.

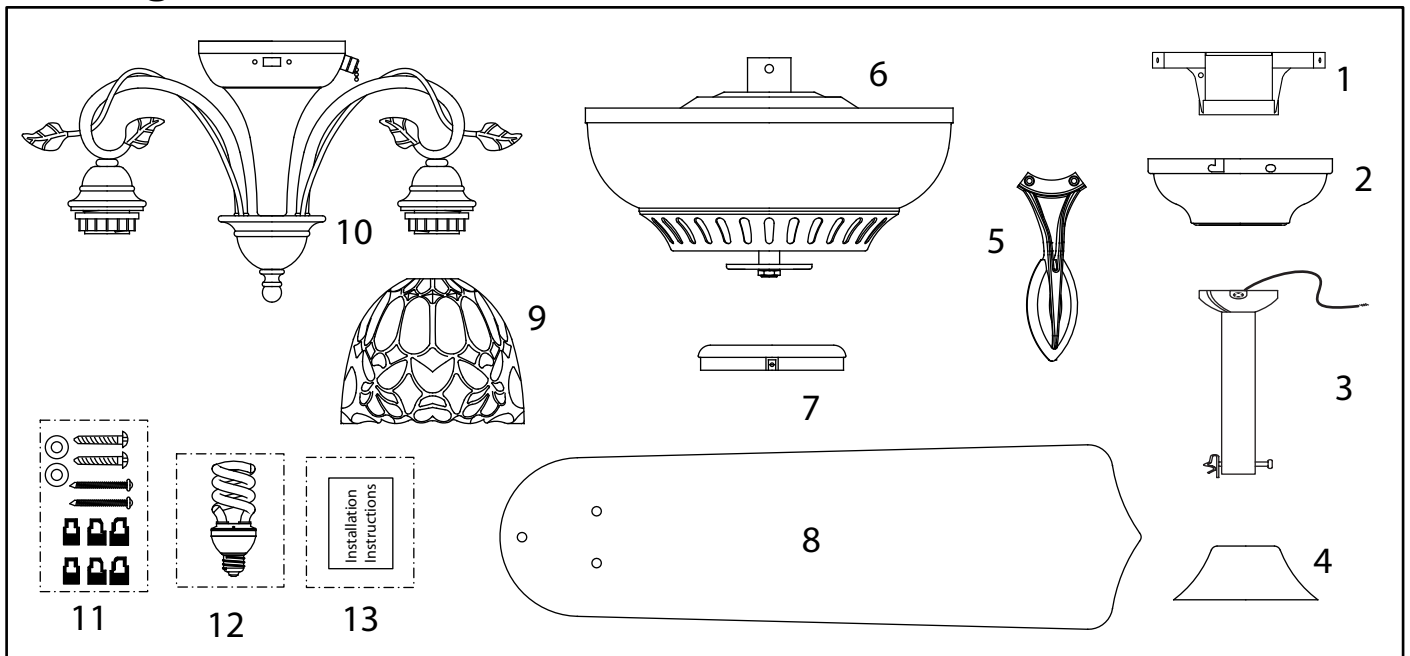
This warranty excludes defects, malfunctions, or failures of any aireRyder Ceiling Fan that are caused by repairs by persons not authorized by us, use of parts or accessories not authorized by us, mishandling, improper installation, modifications or damage to the Fan while in your possession, or unreasonable use, including failure to provide necessary maintenance.

In no event shall aireRyder Fan be liable for consequential or incidental damages.

Some states do not allow the exclusion or limitation of consequential or incidental damages, in which case the above limitation or exclusion may not apply.

This warranty gives you specific legal rights and you may also have other rights which vary from state to state.

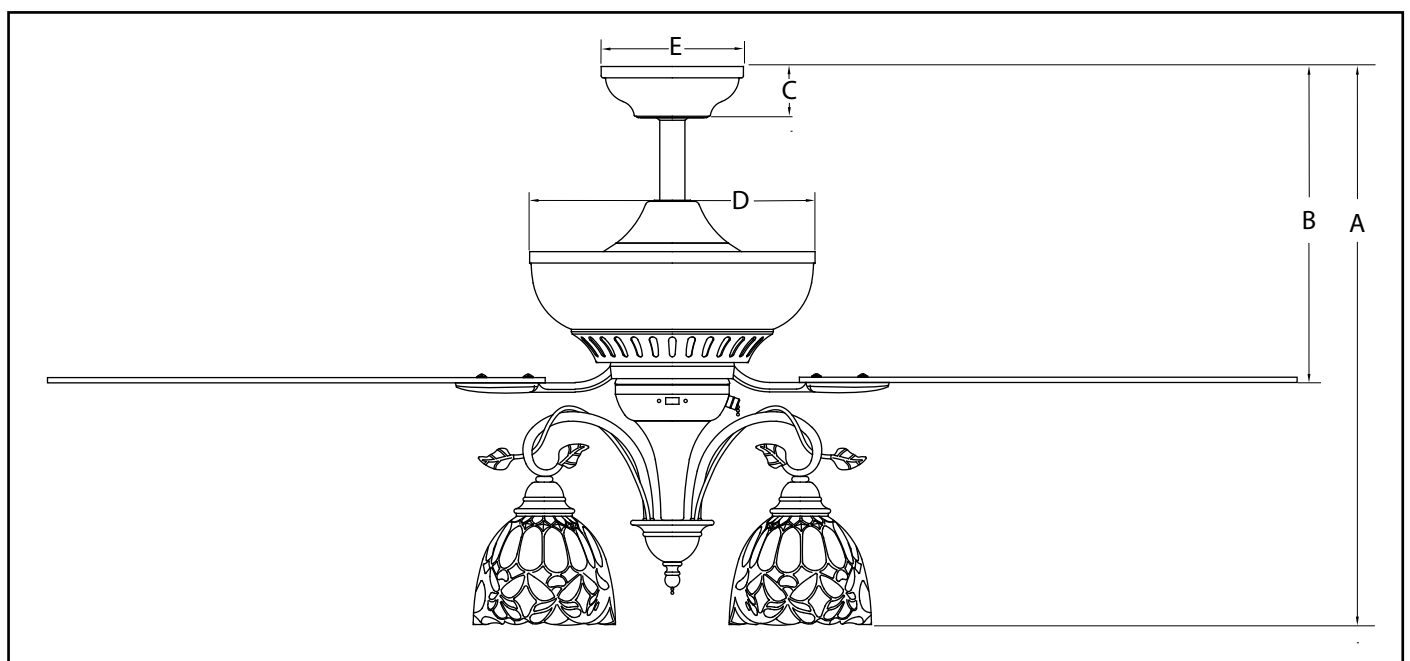
Package Contents:



Unpack your fan and check the contents. You should have the following items.

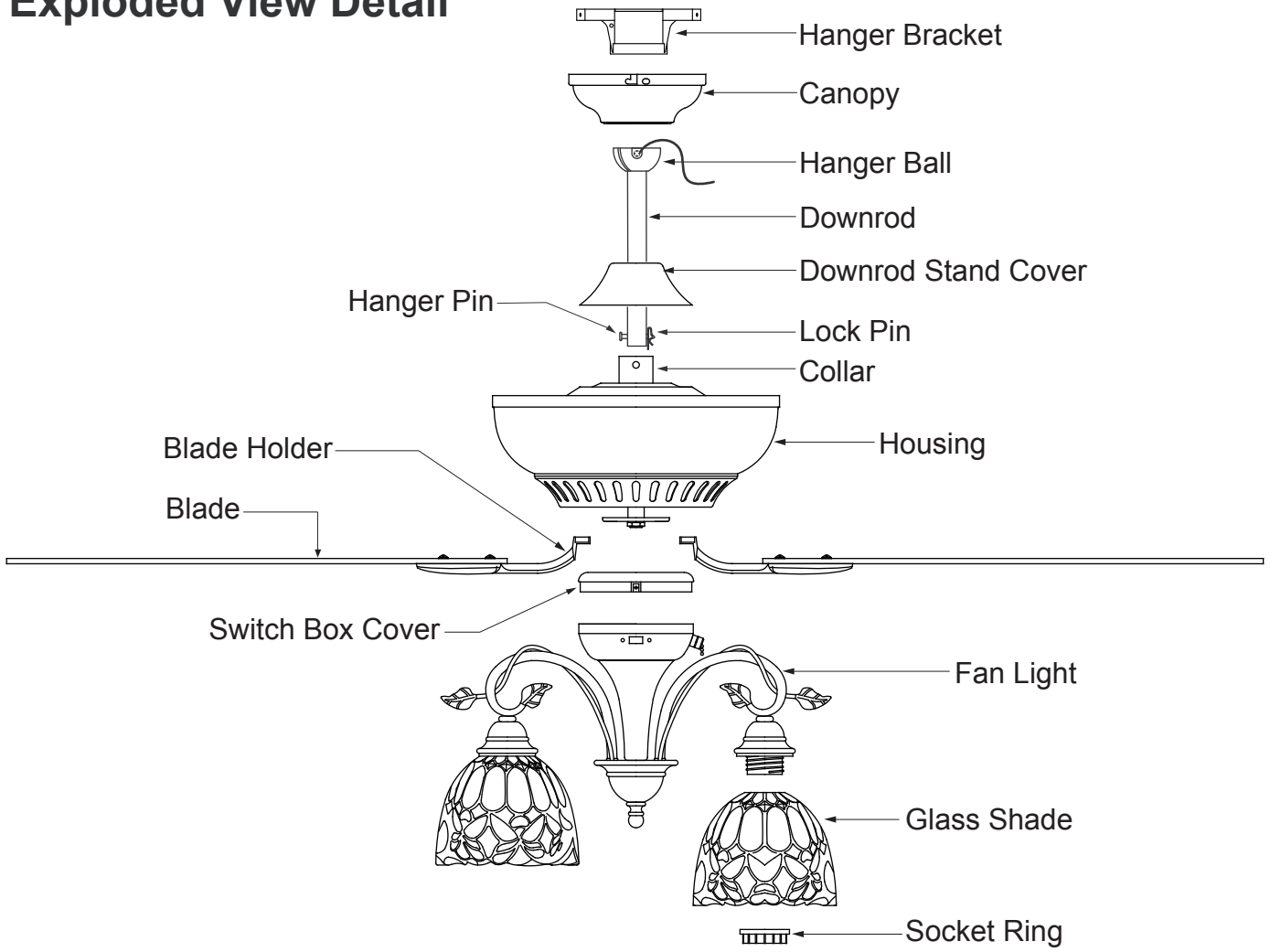
- 1.) Hanger Bracket
- 2.) Canopy
- 3.) Downrod Set (Includes Hanger Ball, 6 in. Downrod, Hanger Pin & Lock Pin)
- 4.) Downrod Stand Cover
- 5.) Blade Holder (X5)
- 6.) Fan Fixture Set
- 7.) Switch Box Cover
- 8.) Fan Blade (X5)
- 9.) Glass Shade
- 10.) Fan Light
- 11.) Assembly Kit
- 12.) Spiral Fluorescent Bulb Max.13W (X3)
- 13.) Installation Instructions

Dimension Reference (Installed with 6 in. Downrod):

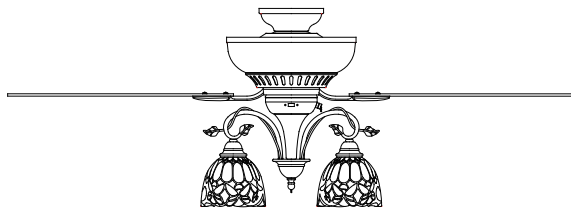


A. 23-1/8 in. B. 13-1/8 in. C. 2-1/8 in. D. 11-7/8 in. E. 5-7/8 in.

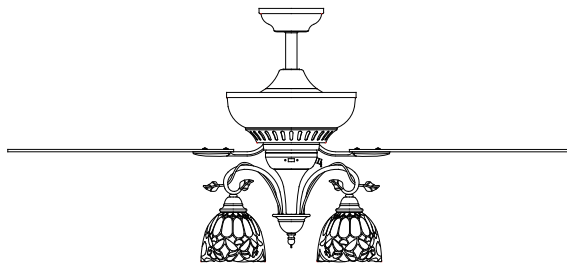
Exploded View Detail



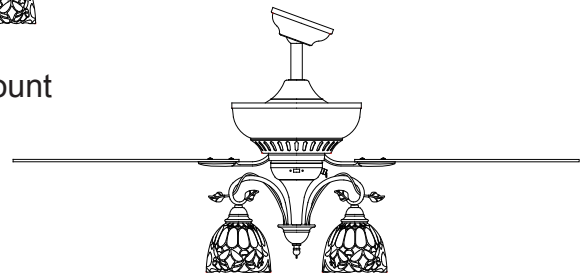
Triple Mount Drawing



Ceiling Mount



Downrod Mount



Slope Ceiling Mount (Up to 23 degrees)

Safety Instructions

READ ALL SAFETY INFORMATION AND INSTALLATION INSTRUCTIONS BEFORE YOU BEGIN INSTALLING THE FAN AND SAVE INSTRUCTIONS.

- All set screws of the fan must be checked and retightened where necessary before installation.
- To reduce the risk of personal injury, do not bend the blade brackets when installing the brackets, balancing the blades or cleaning fan. Do not insert foreign objects in between rotating fan blades.
- Before changing the fan direction, turn off the fan and wait for the fan blades to stop completely.
- If a stationary appliance is not provided with a supply cord and a plug, or with other means for disconnection from the mains supply having a contact separation of at least 3 mm in all poles, that means for disconnection must be incorporated in the fixed wiring in accordance with the wiring rules.
- NOTE: The safeguards provided by these safety instructions and by the separate installation instructions are not meant to cover all possible conditions and situations that may occur. It must be understood that common sense, caution and care are factors which can not be built into this product. These factors must be supplied by the person(s) installing, caring for and operating the fan.

WARNING

- TO AVOID RISK OF ELECTRIC SHOCK, BE SURE TO SHUT OFF POWER AT THE MAIN FUSE OR CIRCUIT BREAKER BOX BEFORE INSTALLING OR SERVICING THIS FIXTURE. TURNING OFF THE ELECTRICAL POWER BY USING THE LIGHT SWITCH IS NOT SUFFICIENT TO PREVENT ELECTRICAL SHOCK.
- TO REDUCE THE RISK OF INJURY, INSTALL THE FAN SO THAT THE BLADES ARE AT LEAST 7 FEET (2.1 METERS) ABOVE THE FLOOR AND AT LEAST 18 INCHES (0.5 METERS) FROM THE TIP OF THE BLADES TO THE WALL.
- TO REDUCE THE RISK OF FIRE, ELECTRIC SHOCK, OR PERSONAL INJURY, MOUNT TO OUTLET BOX MARKED "ACCEPTABLE FOR FAN SUPPORT" AND USE MOUNTING SCREWS PROVIDED WITH THE OUTLET BOX.
- THE INSTALLATION HAS TO BE IN ACCORDANCE WITH THE NATIONAL ELECTRICAL CODE, ANSI/NFPA 70-1999 AND LOCAL CODES. IF YOU ARE UNFAMILIAR WITH THE METHODS OF INSTALLING ELECTRICAL WIRING, SEEK THE SERVICES OF A QUALIFIED LICENSED ELECTRICIAN.

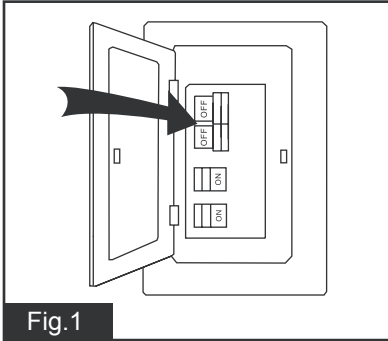
INSTALLATION INSTRUCTIONS

IMPORTANT:

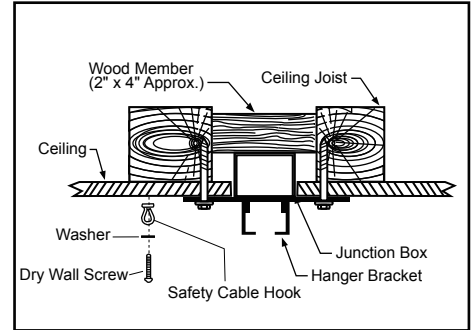
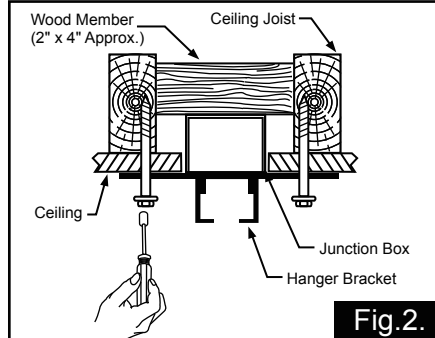
- BEFORE YOU BEGIN INSTALLING THE FAN, CAREFULLY READ ALL INFORMATION ON THE SEPARATE SHEET "SAFETY INSTRUCTIONS" AS WELL AS THE FOLLOWING "INSTALLATION INSTRUCTIONS". IF IN DOUBT, CONSULT A QUALIFIED ELECTRICIAN.
- THIS FAN MUST BE INSTALLED WITH A WALL CONTROL/SWITCH.
- SAVE ALL INSTRUCTIONS.

NOTE: The fan weight is 20.2 lb (9.1 kg). Be sure the outlet box you are using is securely attached to the building structure and can support the full weight of the fan. Failure to do so can result in serious injury.

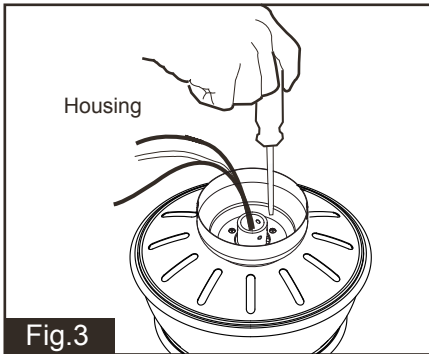
Installation Steps :



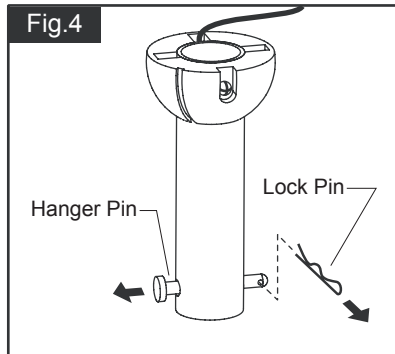
Turn OFF the electric power at the main fuse or circuit breaker box.



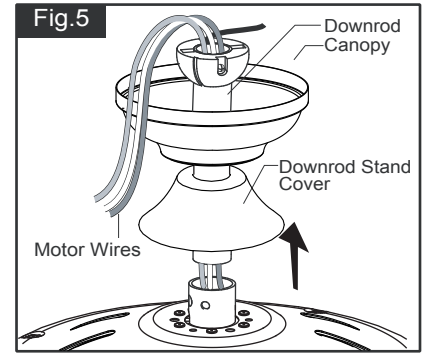
Tighten the hanger bracket to the outlet box with two mounting screws. **(Make sure the outlet box is securely installed so that it will be able to support at least the fan weight.)** Attach the safety cable hook to the ceiling with the dry wall screw and washer, and make sure the safety cable hook is covered by the fan canopy. **WARNING: MOUNT ONLY TO AN OUTLET BOX MARKED "ACCEPTABLE FOR FAN SUPPORT"!**



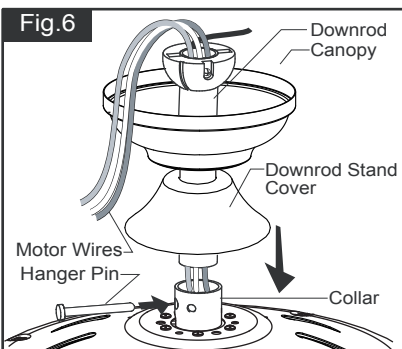
(For ceiling mount only): Attach the canopy to the housing with three ceiling mount screws. Go to Fig.9 for the next step.



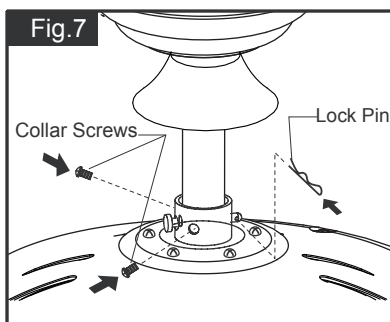
Remove the Lock Pin and take off the Hanger Pin.



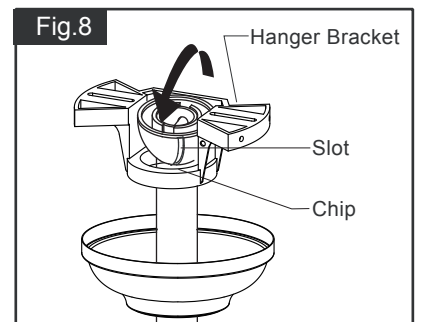
Thread the motor wires through the canopy, downrod stand cover and downrod.



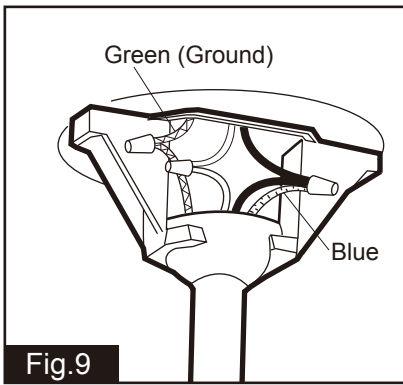
Insert the Downrod into the Collar. Slide Hanger Pin through holes of Collar and Downrod.



Insert and tighten the two Collar Screws. Slide Lock Pin into Hanger Pin until it locks into position.



Hang the fan on hanger bracket, and make sure the slot of hanger ball is snapped into the chip of hanger bracket exactly. Note: For slope ceiling installation, make sure the slot of hanger ball and the chip of hanger bracket is face down.

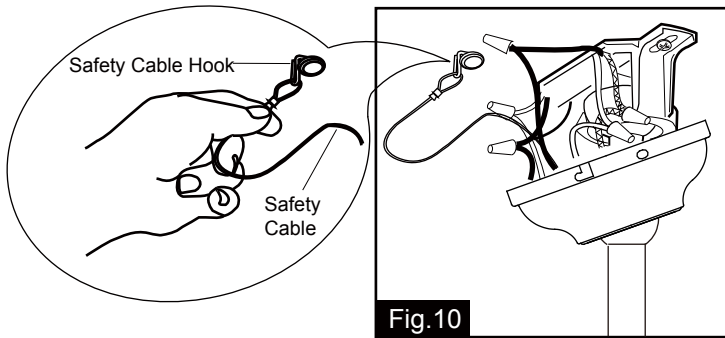


Make wire connections:

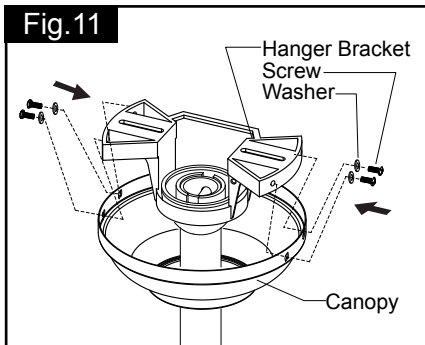
- 1). The white motor wire to the white wire from the outlet box with a wire nut.
- 2). The black motor wire and blue wire to the black (hot) wire from the outlet box with a wire nut.
- 3). The ground wire from the outlet box to the ground wire from the motor with a wire nut.

*** After making the wire connections, the wires should be spread apart with the grounded wires on one side of the outlet box and the ungrounded wires on the other side of the outlet box.

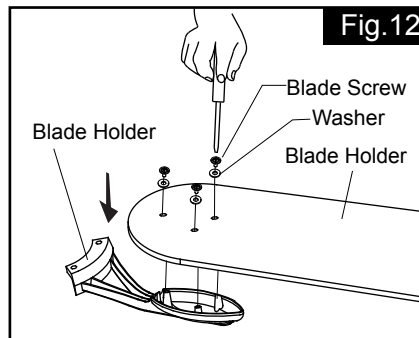
*** After the connections have been made, the wires should be turned upward and pushed carefully up into the outlet box.



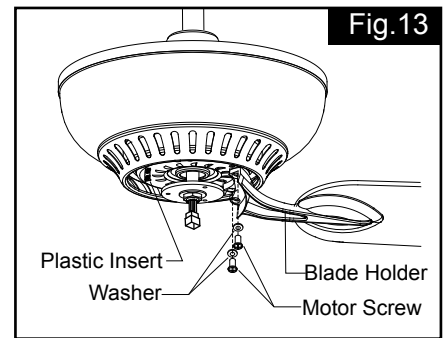
Hang the safety cable into the safety cable hook.



Attach the canopy to the hanger bracket, then secure it with four screws and washers.

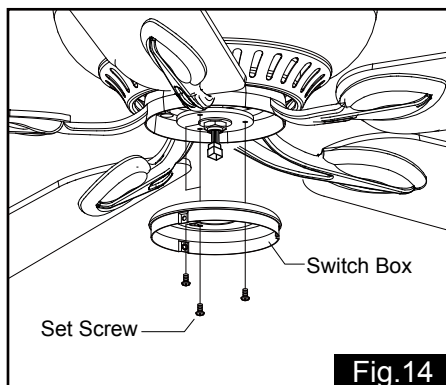


Tighten blades to blade holders by using blade screws and washers.

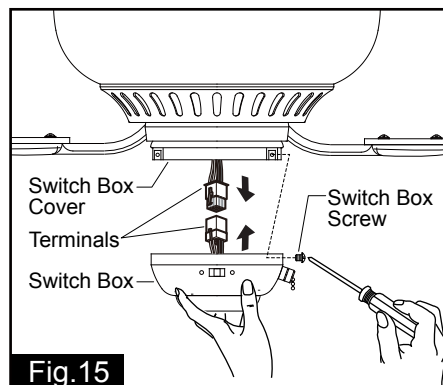


Secure blade holders to the motor with motor screws and washers.

NOTE: Before installing blade holders to the motor, please remove the plastic inserts.



Attach the switch box up at the bottom of the motor, and secure it with set screws.

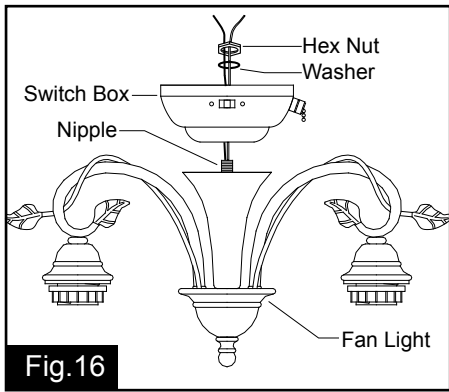


Assembly without fan light

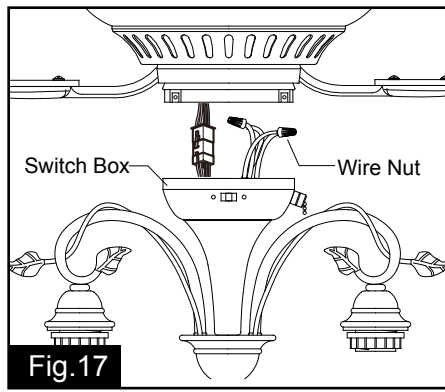
Make sure the wires of the fan light in the switch box are capped with wire nuts. Secure the switch box with the switch box screws.

Note: To install the fan light, skip this step and proceed to Fig. 15.

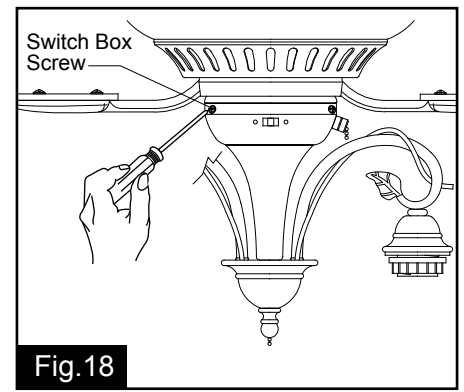
Install fan light (Provided with package):



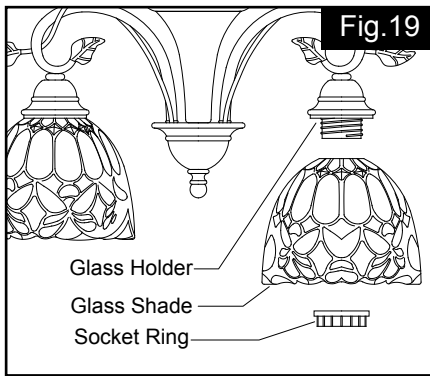
Thread the wires through the center hole of switch box. Attach the switch box onto the fan light with the nipple through the center hole of switch box, then secure it with a washer and hex nut.



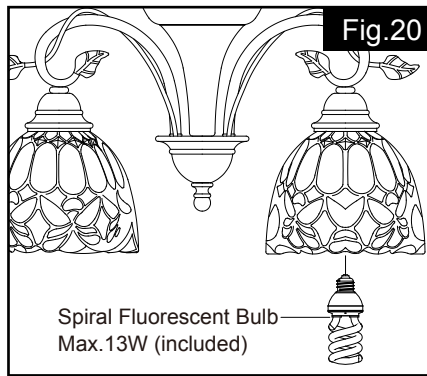
Make wire connections using wire nuts:
 --- The blue wire from the switch box to the black wire from fan light.
 --- The white wire from the switch box to the white wire from fan light.
 Carefully put the wires into the switch box. Then connect the two terminals respectively from the motor and the switch box.



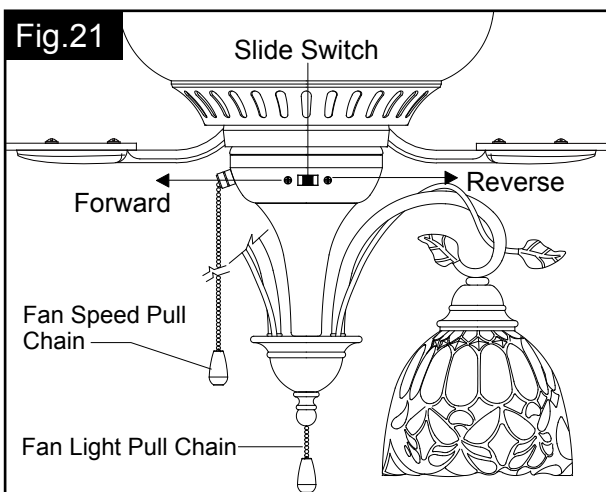
Secure the switch box with the switch box screws.



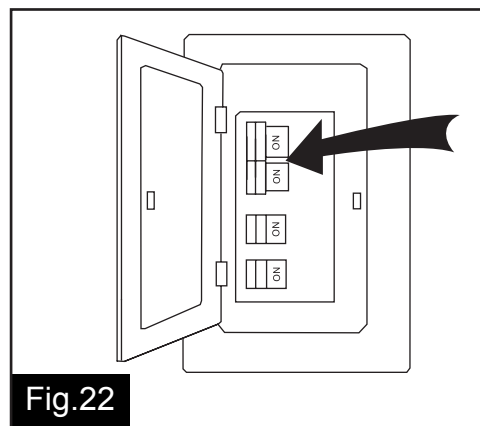
Attach the glass shades onto the glass holders, secure them with socket rings.



Install bulbs (included). See relamping label at socket area or packaging for maximum allowed wattage.



The slide switch sets the direction of fan rotation. Select the direction of fan rotation you need by sliding the switch. Push the slide switch left for "Forward" and right for "Reverse".
CAUTION: If you install a Remote Control or a Wall Control for this fan, make sure to use the pull chains to select the "high" position for the fan speed and the "on" position for the fan light.



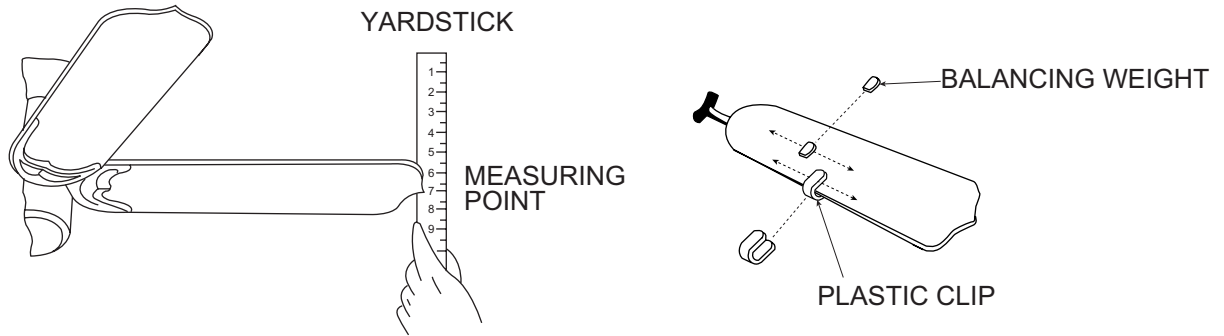
Turn ON the electric power at the main fuse or circuit breaker box.

Trouble Shooting Guide

If you have difficulty operating your new ceiling fan, it may be the result of incorrect assembly, installation or wiring. In some cases, these installation errors may be mistaken for defects. If you experience any faults, please check this Trouble Shooting Guide. If a problem cannot be remedied or you are experiencing difficulty in installation, please call our Customer Service Department.

<u>PROBLEM</u>	<u>SUGGESTED REMEDY</u>
1. If fan does not start:	<ol style="list-style-type: none">1. Check main and branch circuit fuses or circuit breakers.2. Check line wire connections to fan and switch wire connections in switch housing. CAUTION: Make sure main power is turned off.3. Make sure forward/reverse switch is firmly in bottom or top position. Fan will not operate when switch is in the middle.4. Make sure that the wall control is turned "ON".
2. If fan sounds noisy:	<ol style="list-style-type: none">1. Make sure all screws in motor housing are snug. (not over tightened)2. Make sure the screws which attach the fan bladeholder to the motor are tight.3. Make sure wire nut connectors in switch housing are not rattling against each other or against the interior wall of the switch housing. CAUTION: Make sure main power is turned off before entering switch housing.4. If using an optional ceiling fan light kit, check to be sure the screws securing the glassware are finger tight. Check to be sure light bulb is tight in socket and not touching glass shade(s). If vibration persists from glass, remove glass and install a 1/4 in. wide rubber band on glass neck to act as an insulator. Replace glass and tighten screws against rubber band.5. Some fan motors are sensitive to signals from Solid State variable speed controls. DO NOT USE a Solid State variable speed control.6. Allow "break-in" period of 24 hours. Most noises associated with a new fan will disappear after this period.
3. If fan wobbles:	<p>All blades are weighed and grouped by weight. Natural woods vary in density which could cause the fan to wobble even though all blades are weight-matched. The following procedures should eliminate most of the wobble. Check for wobble after each step.</p> <ol style="list-style-type: none">1. Check that all blades are screwed firmly into blade holders.2. Check that all blade holders are tightened securely to motor.3. Make sure that canopy and mounting bracket are tightened securely to ceiling junction box and junction box is mounted firmly to ceiling joist.4. Most fan wobble problems are caused when blades are not equally level. To check the blade levels, select a point on the ceiling above the tip of any blade. Measure the distance from the ceiling to the blade tip, to an accuracy of 1/8 inch. Rotate the blades until the next blade is in the measuring position. Repeat measurement for each blade. If all blade levels are not equal, you can adjust blade levels by the following procedure. To adjust a blade tip down, insert a washer (not supplied) between the blade and blade holder at the screw closest to the motor. To adjust a blade tip up, insert washer (not supplied) between the blade and blade holder at the two screws farthest from the motor.5. If blade wobble is still noticeable, interchanging two adjacent (side by side) blades can redistribute the weight and possibly result in smoother operation.
4. If light does not work:	<ol style="list-style-type: none">1. Check blue wire from fan to make sure it is connected to hot wire from house.2. Check for loose or disconnected wires in fan switch housing.3. Check for loose or disconnected wires in light kit.4. Check for faulty light bulbs. CAUTION: Make sure main power is turned off before entering switch housing.

DYNAMIC BLADE BALANCING KIT



PREFACE

Your ceiling fan may sometimes have wobbling problems when operating due to irregularity in the blades or the blade holders. Also, improper assembly in the mounting system or crooked bearings may cause some additional problems. This balancing kit can be used to fix wobbling problems.

DYNAMIC BLADE BALANCING KIT FOR CEILING FANS

1. Make certain that all blades are firmly screwed into the blade holder.
2. Make sure that all blade holders are firmly secured to the motor housing and check that the pitch of blade holders are all the same.
3. By looking up at the fan from below, check and be certain that none of the blade holders are bent and that none of the blades are out of position. A correction can be made by very gently bending the blade holder back into position.
4. Use a yardstick to check the blade tracking. Put the yardstick up against the ceiling vertically and against the outside leading edge of a blade. Note the distance of the edge of blade to the ceiling. Carefully turn the blades slowly by hand to check the remaining blades. If the blade is not in alignment, the blade holder may be gently bent up or down to be in line with the other blades.

After following all the steps and if the wobbling problem is not solved, a dynamic balancing needs to be done by balancing kit. Follow the procedure listed below:

- Turn the fan on and adjust the speed control (usually high speed) setting to the speed which creates the greatest wobble.
- Turn the fan off. Select one blade and place the balance clip on it, halfway between the blade holder and the blade tip on the rear edge of the blade.
- Turn the fan on. Watch to see if the wobble is improved or worsened. Turn the fan off again and move the clip to another blade and test again. Repeat this process with all blades and then note the blade which is the most improved.
- Move the clip back to the blade which showed the most improvement. Move the clip inward and outward on this blade and operate the fan to find the position where the clip gives the most improvement.
- Next remove the clip and install a balancing weight to the top of the blade along the centerline near the point where the clip was positioned. Use a sharp knife or razor to separate the weights.

Caution: Stay clear of the blades. If the clip, for any reason, is not secure, injury could result .