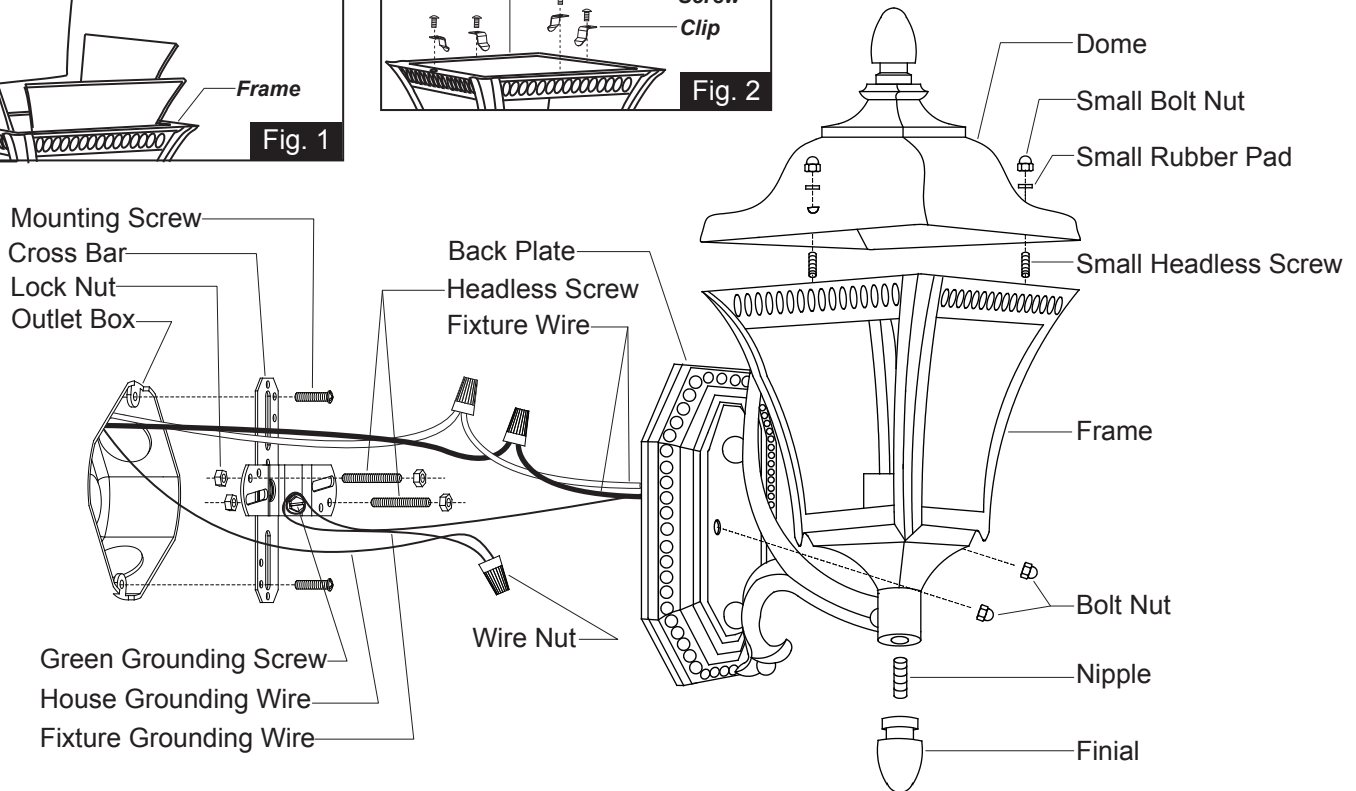
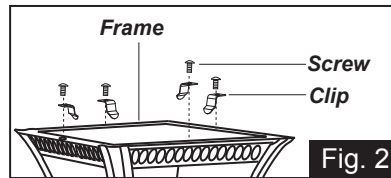
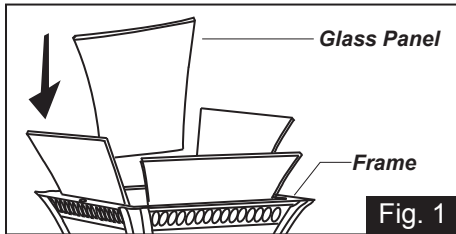


# ASSEMBLY AND INSTALLATION INSTRUCTIONS

OW37371 / OW37391

**WARNING: BE SURE TO SHUT OFF POWER AT THE MAIN FUSE OR CIRCUIT BREAKER BOX BEFORE INSTALLING OR SERVICING THIS FIXTURE.**

**NOTE: 1. Before installing, consult local electrical codes for wiring and grounding requirements.  
2. READ AND SAVE THIS INSTRUCTION.**



1. Thread two headless screws through the cross bar, then secure them with four lock nuts (two on each side of the cross bar). Adjust the length of the headless screws if necessary.
2. Attach the cross bar to the outlet box by using two mounting screws.
3. Remove the screws and clips away from the frame. Gently place four glass panels into the frame, then restore the clips and screws back to the frame to fasten the glass panels. (See Fig.1 & Fig.2)
4. Secure two small headless screws into the corresponding holes at the top of the frame.
5. Pull out the outlet wires and the house grounding wire from the outlet box. Make wire connections using the wire nuts:
  - Connect the black wire from the fixture to the black wire from the power source.
  - Connect the white wire from the fixture to the white wire from the power source.
  - Attach the fixture grounding wire to the cross bar with the green grounding screw. Then connect it to the house grounding wire with a wire nut.
 Carefully put the wires back into the outlet box.
6. Attach the back plate to the cross bar by inserting the headless screws, then secure it with two bolt nuts.
- CAUTION: With silicone caulking compound, caulk completely around where the back plate meets with the wall surface to prevent water from seeping into the outlet box.**
7. Install a bulb (not included). See relamping label at socket area or packaging for maximum allowed wattage.
8. Attach the dome onto the frame through the small headless screws, then secure it with small rubber pads and small bolt nuts.
9. Turn on the power at the main fuse or circuit breaker box.