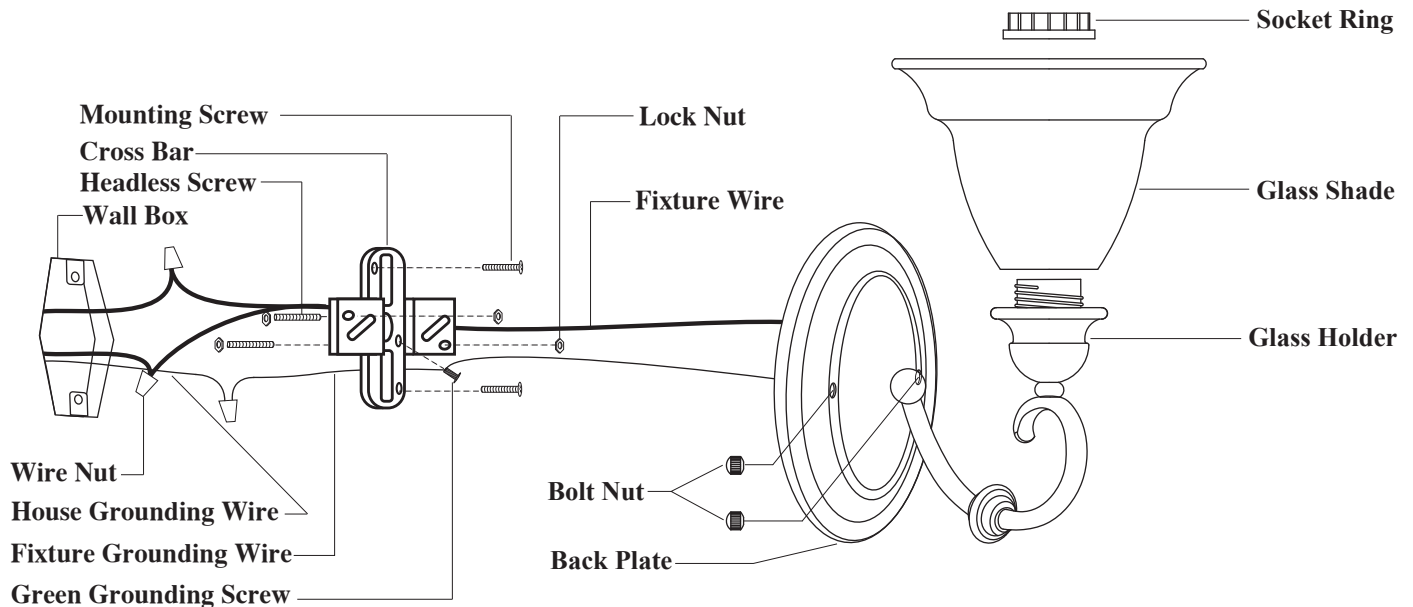


ASSEMBLY AND INSTALLATION INSTRUCTIONS

OM-VLU001

WARNING: BE SURE TO SHUT OFF POWER AT THE MAIN FUSE OR CIRCUIT BREAKER BOX BEFORE INSTALLING OR SERVICING THIS FIXTURE.

NOTE: Before installing, consult local electrical codes for wiring and grounding requirements.



1. Thread two headless screws through the cross bar, then secure them with four lock nuts (two on each side of the cross bar). Adjust the length of the headless screws if necessary.
2. Attach the cross bar to the wall box by using two mounting screws.
3. Pull out the outlet wires and the house grounding wire from the outlet box. Make wire connections using the wire nuts:
 - Connect the black wire from the fixture to the black wire from the power source.
 - Connect the white wire from the fixture to the white wire from the power source.
 - Attach the fixture grounding wire to the cross bar with the green grounding screw. Then connect it to the house grounding wire with a wire nut.Carefully tuck the wires back into the wall box.
4. Attach the back plate to the cross bar by inserting the headless screws through the holes of the back plate and securing them with two bolt nuts.
5. Attach the glass shade onto the glass holder and secure it with the socket ring.
6. Install a bulb (not included). See relamping label at socket area or packaging for maximum allowed wattage.
7. Turn on the power at the main fuse or circuit breaker box.