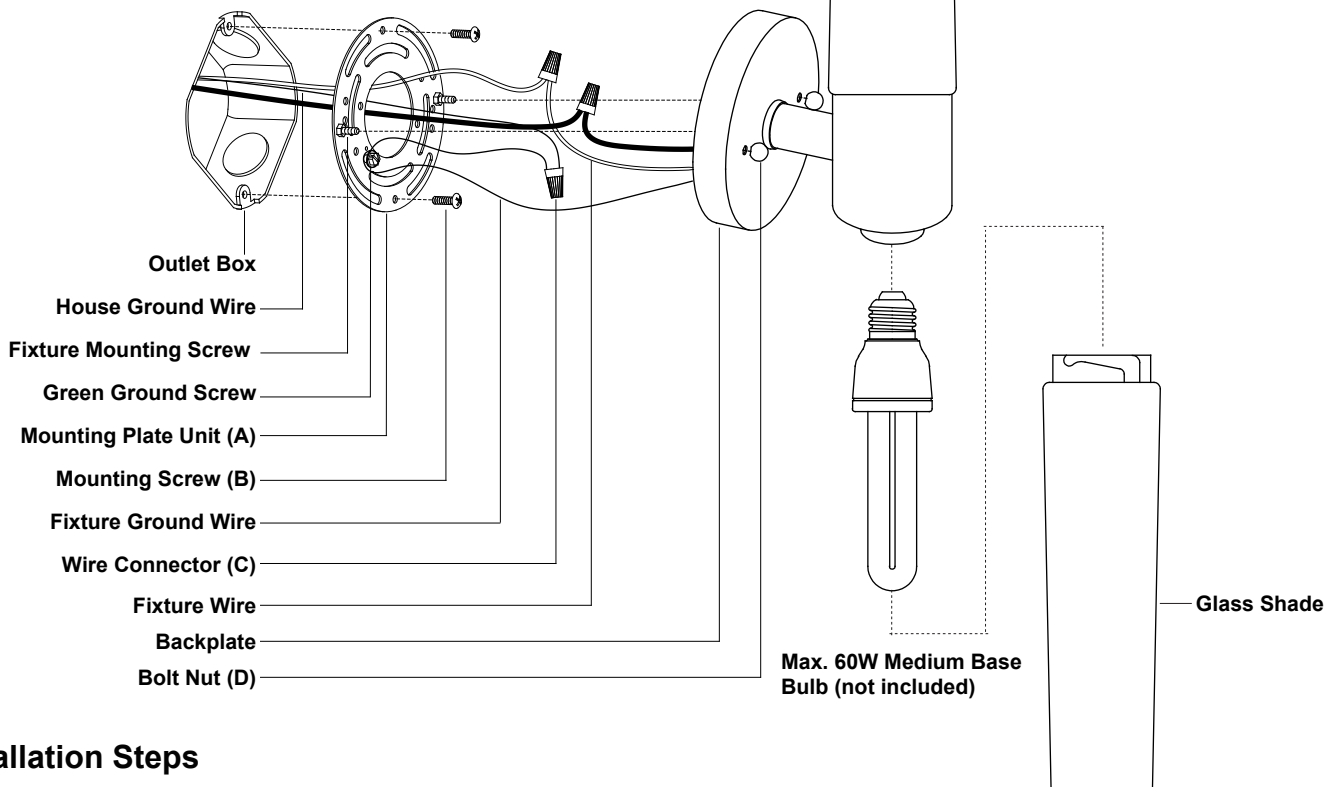
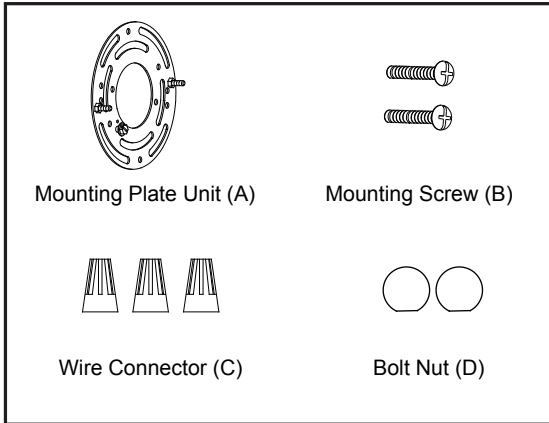


ASSEMBLY AND INSTALLATION INSTRUCTIONS

W0457 / W0458

WARNING: TO AVOID RISK OF ELECTRICAL SHOCK, BE SURE TO SHUT OFF POWER WHILE INSTALLING OR SERVICING THIS FIXTURE.

Hardware Package (included):



Installation Steps

Turn off the power at fuse or circuit box.

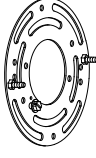

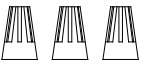



1. Unscrew the two bolt nuts (D), remove the mounting plate unit (A) from the backplate.
2. Attach the mounting plate unit (A) to the outlet box by using two mounting screws (B).
Note: Make sure that two fixture mounting screw are lined up horizontally to make the fixture level.

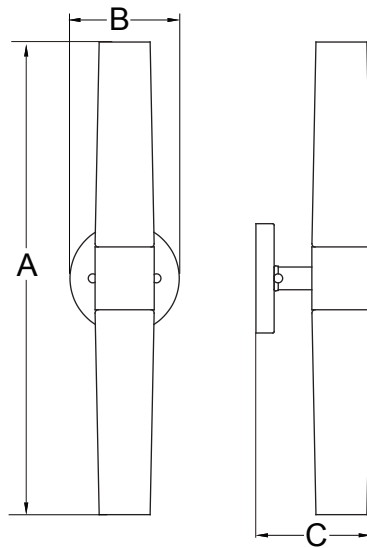
3. Pull out the source wires from the outlet box. Make wire connections using wire connectors (C) as follows:
 - Connect the hot wire (black insulation) from the fixture to the black wire from the power source.
 - Connect the neutral wire (white insulation) from the fixture to the white wire from the power source.
 - Attach the fixture ground wire (bare wire) to the mounting plate unit (A) with the green ground screw, then connect it to the house ground wire with the wire connector (C).
 Carefully put the wires back into the outlet box.
4. Attach the backplate to the mounting plate unit (A) by inserting fixture mounting screws into set holes on backplate, then secure it with two bolt nuts (D).
5. Install 2 x 60W Max. medium base bulbs (not included). Check relamping label at socket area or packaging for maximum wattage allowed.
6. Attach the glass shades onto the fixture.

Turn on the power at fuse or circuit box.

The following parts are available for reorder if damaged or missing.

Spare Parts List:

 Mounting Plate Unit (A)	 Mounting Screw (B)	 Wire Connector (C)	 Bolt Nut (D)		 Glass Shade 10393CG
				Assembly Kit 6772MM (1 SET) for W0457 6771MM (1 SET) for W0458	



A: 20-1/2"

B: 5-1/2"

C: 4-1/2"

1 Year Warranty

Vaxcel warrants all of our products against defects in workmanship and finishes for one year following the date of shipment.

Exclusions: This warranty does not include the failure of products from extreme acts of nature; environmental conditions not suited for the products intended use; operation in temperatures outside of the range specified in the instruction manual; usage with improper power supply, power surges or dips. For coastal locations, some corrosion is considered normal for the environment.

Vaxcel reserves the right to repair, replace or issue a credit for any properly installed product, provided it is returned per RMA instruction. This warranty is limited to the cost of the product only and does not extend to transportation, installation or replacement costs.

How can warranty service be obtained?

info@vaxcel.com
 1-800-482-9235