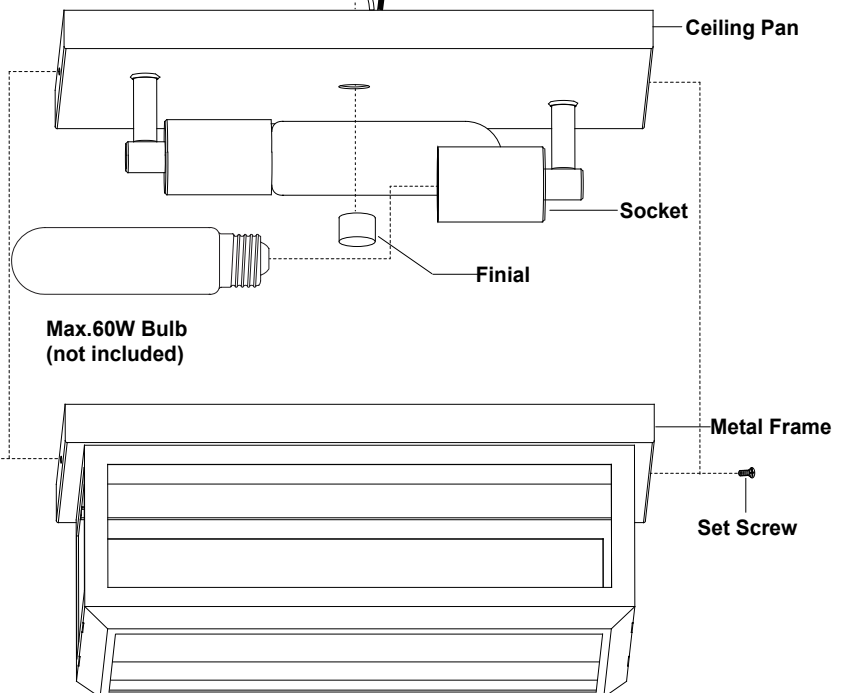
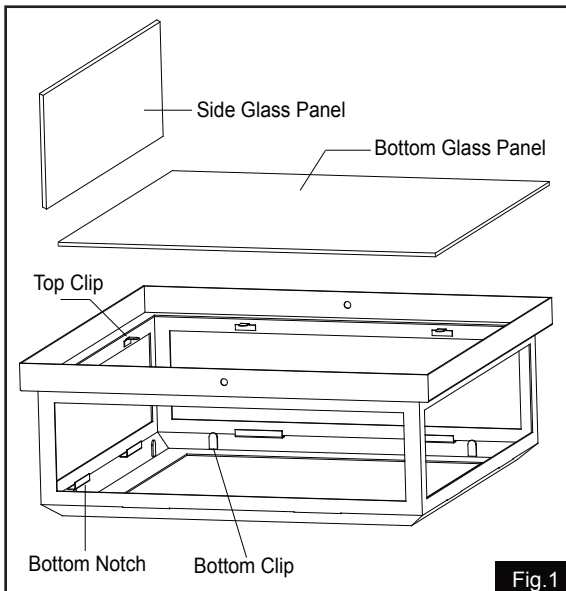
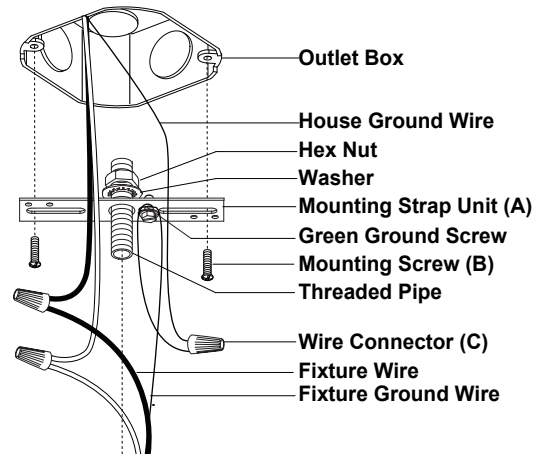
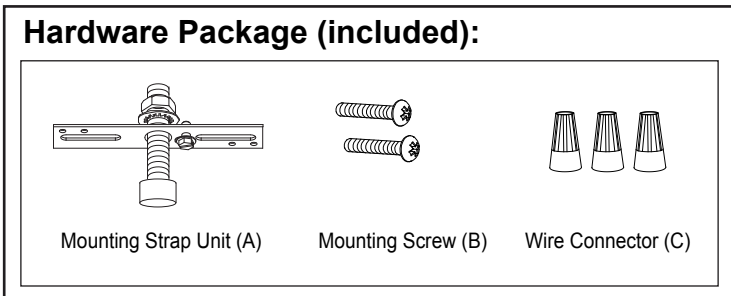


ASSEMBLY AND INSTALLATION INSTRUCTIONS

T0611 / T0709

WARNING: Turn off the main power at circuit breaker before installing fixture.
AVERTISSEMENT: Coupez la source d'alimentation principale au panneau central de disjoncteurs avant d'installer le luminaire.

NOTE: 1. Before installing, consult local electrical codes for wiring and grounding requirements.
2. Read and save these instructions.



Installation Steps

Turn off the power at fuse or circuit box.

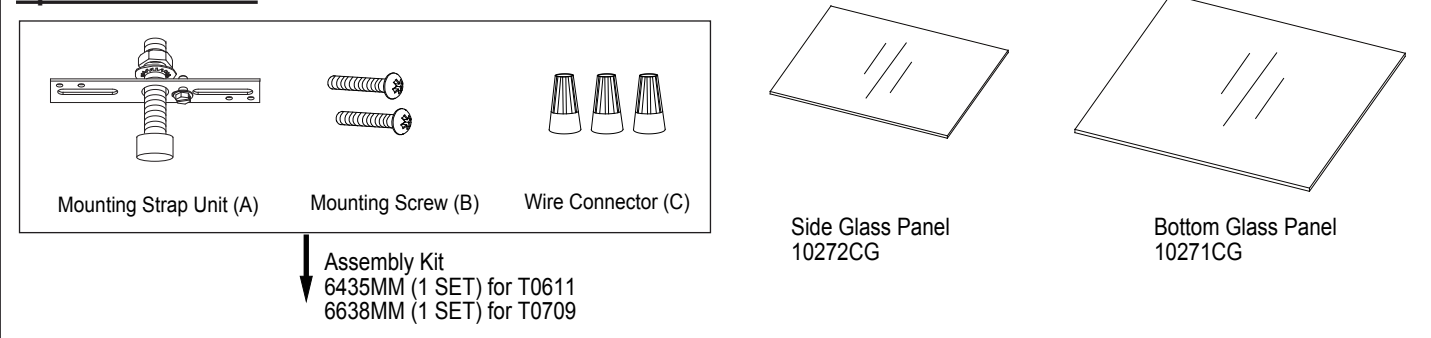
1. Attach the mounting strap unit (A) to the outlet box by using two mounting screws (B).
2. Remove two set screws to separate the metal frame from the ceiling pan.
3. Pull out the source wires from the outlet box. Make wire connections using wire connectors (C) as follows:
 - Connect the hot wire (black insulation) from the fixture to the black wire from the power source.
 - Connect the neutral wire (white insulation) from the fixture to the white wire from the power source.
 - Attach the fixture ground wire (bare wire) to the mounting strap unit (A) with the green ground screw. Then, depending on local code, connect it to the house ground wire with the wire connector (C).Carefully put all of the wires back into the outlet box.

4. Remove the finial from the mounting strap unit (A).
5. Attach the ceiling pan to the mounting strap unit (A) by inserting threaded pipe into the center hole of the ceiling pan and secure it with the finial .
NOTE: Depth of threaded pipe may need to be adjusted to properly fit the finial.
6. Install the bulbs (not included). Check relamping label at socket area or packaging for maximum wattage allowed.
7. Place the bottom glass panel into the metal frame, then secure it by pressing the eight bottom clips. Place a side glass panel into the two bottom notches of the metal frame , secure it by pressing two clips on top of the side frame. Repeat with the other side glass panels.(See Fig.1)
8. Attach the metal frame to the ceiling pan by aligning two holes, then secure it with two set screws.

Turn on the power at fuse or circuit box.

The following parts are available for re-order if damaged or missing.

Spare Parts List:

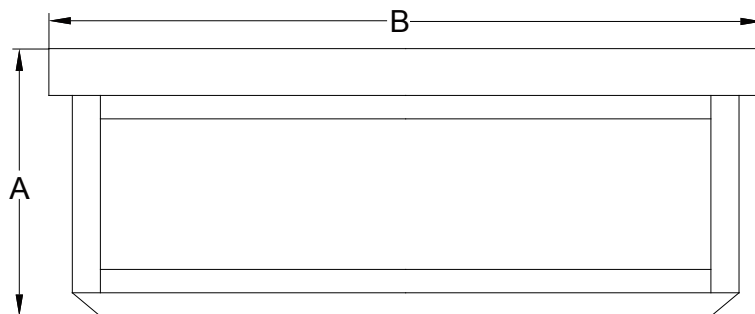


Mounting Strap Unit (A) Mounting Screw (B) Wire Connector (C)

Side Glass Panel
10272CG

Bottom Glass Panel
10271CG

Assembly Kit
6435MM (1 SET) for T0611
6638MM (1 SET) for T0709



A: 4-1/2"

B: 12"

1 Year Warranty

Vaxcel warrants all of our products against defects in workmanship and finishes for one year following the date of shipment.

Exclusions: This warranty does not include the failure of products from extreme acts of nature; environmental conditions not suited for the products intended use; operation in temperatures outside of the range specified in the instruction manual; usage with improper power supply, power surges or dips. For coastal locations, some corrosion is considered normal for the environment.

Vaxcel reserves the right to repair, replace or issue a credit for any properly installed product, provided it is returned per RMA instruction. This warranty is limited to the cost of the product only and does not extend to transportation, installation or replacement costs.

How can warranty service be obtained?

info@vaxcel.com
1-800-482-9235