

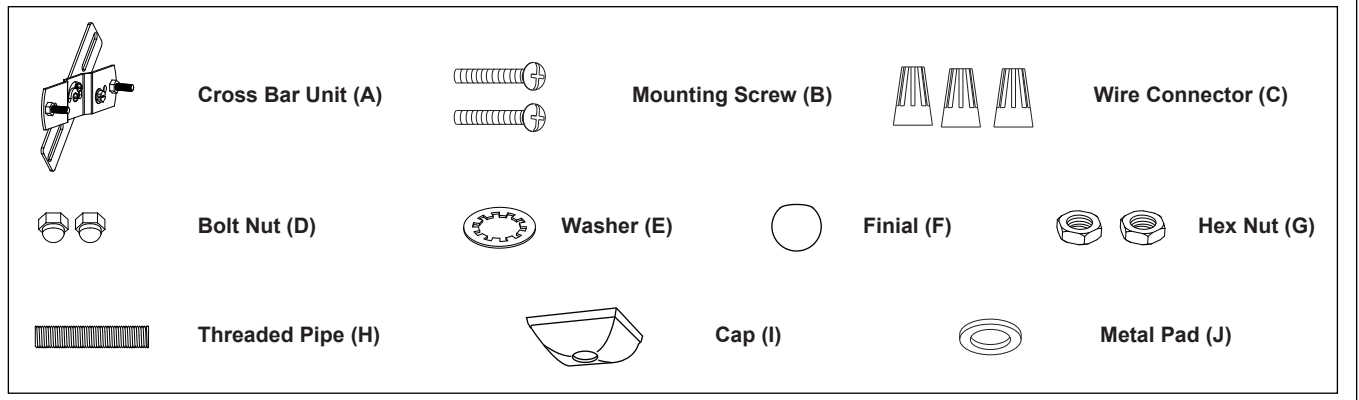
ASSEMBLY AND INSTALLATION INSTRUCTIONS

T0665

WARNING: Turn off the main power at circuit breaker before installing fixture.
AVERTISSEMENT: Coupez la source d'alimentation principale au panneau central de disjoncteurs avant d'installer le luminaire.

NOTE: 1. Before installing, consult local electrical codes for wiring and grounding requirements.
2. READ AND SAVE THESE INSTRUCTIONS.

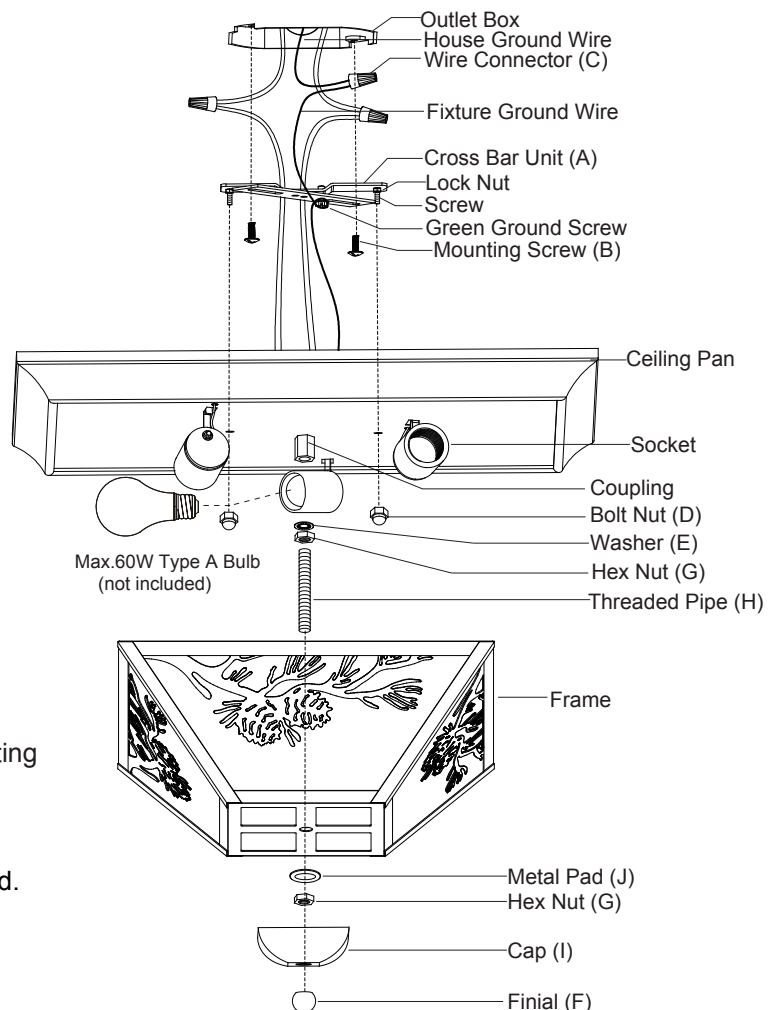
Hardware Package (included):



Installation Steps

Turn off the power at fuse or circuit box.

1. Attach the cross bar unit (A) to the outlet box with two mounting screws (B).
2. Pull out the source wires from the outlet box. Make wire connections using wire connectors (C) as follows:
 - Connect the hot wire (usually black insulation) from the fixture to the black wire from the power source.
 - Connect the neutral wire (usually white insulation) from the fixture to the white wire from the power source.
 - Attach the fixture grounding wire (usually green with the insulation or bare wire) to the cross bar unit (A) with green ground screw. Then, depending on local code, connect it to the house ground wire with the wire connector (C).
 Carefully put all of the wires back into the outlet box.
3. Attach the ceiling pan to the cross bar unit (A) by inserting the two screws, then secure it with the bolt nuts (D).
4. Install the bulbs (not included). See relamping label at socket area or packaging for maximum wattage allowed.



 **VAXCEL**

220705

5. Attach the threaded pipe (H) into the coupling of the ceiling pan and secure the washer (E) and hex nut (G).
6. Attach the frame to the ceiling pan by inserting threaded pipe (H) into the center hole of the frame, then secure it with metal pad (J) and hex nut (G). Finally attach the cap (I) to the threaded pipe (H), and secure it with the finial (F).

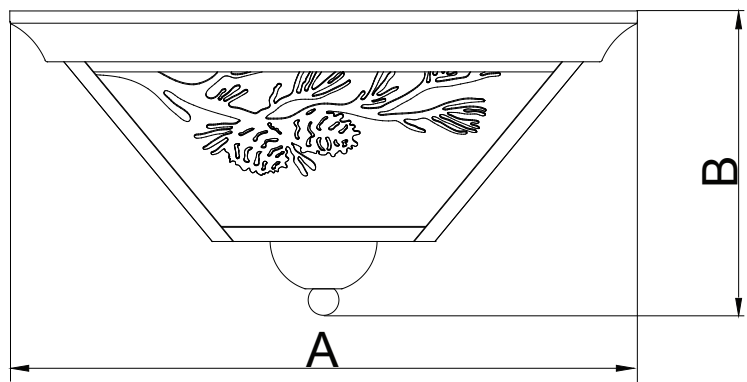
Turn on the power at fuse or circuit box.

The following parts are available for re-order if damaged or missing.

Spare Parts List:

	Cross Bar Unit (A)		Mounting Screw (B)		Wire Connector (C)
	Bolt Nut (D)		Washer (E)		Finial (F)
	Hex Nut (G)		Threaded Pipe (H)		Cap (I)
			Metal Pad (J)		

↓
Assembly Kit
6538MM (1 SET)



A: 14"
B: 7"