

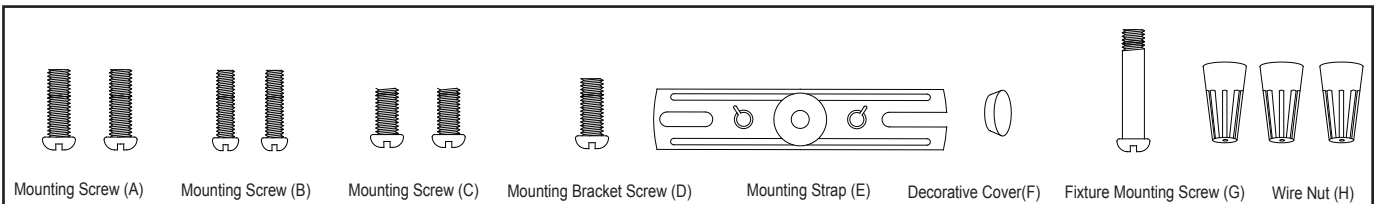
ASSEMBLY AND INSTALLATION INSTRUCTIONS

T0101 / T0102

WARNING: TO AVOID RISK OF ELECTRICAL SHOCK, BE SURE TO SHUT OFF POWER WHILE INSTALLING OR SERVICING THIS FIXTURE.

NOTES: 1. Before installing, consult local electrical codes for wiring and grounding requirements.
2. READ AND SAVE THESE INSTRUCTIONS.

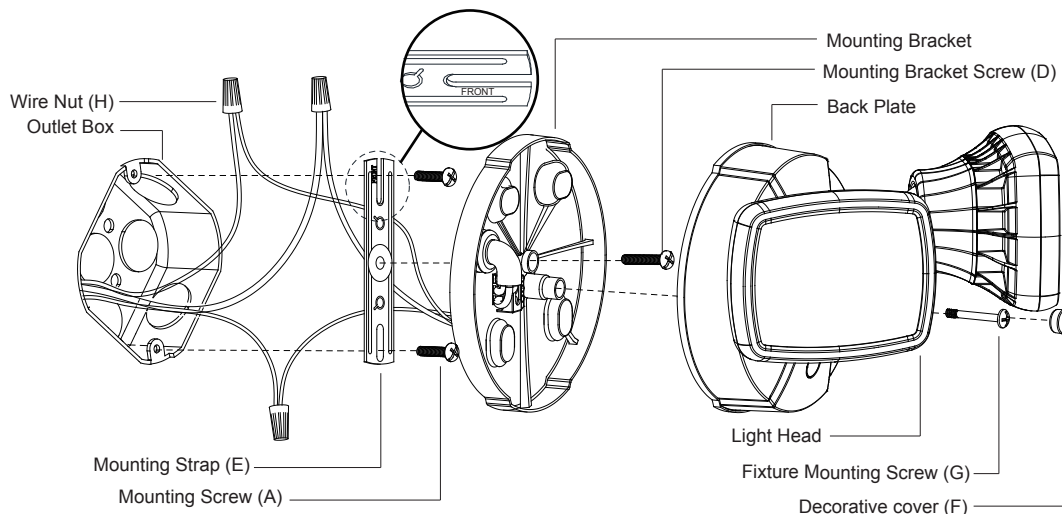
Hardware Package (included):



Note: Fixture can be wall mounted or eave mounted.



Light fixture should be mounted as shown above when installed (depending upon type of installation)



IMPORTANT:

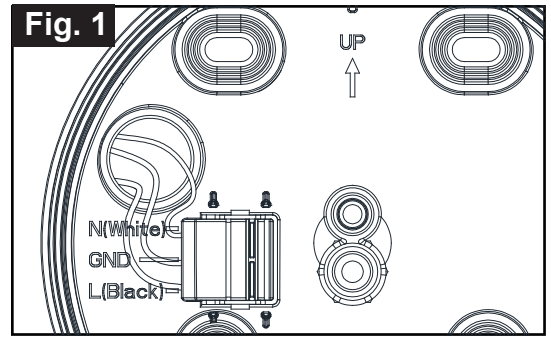
The fixture features a photocell sensor which enables the light to turn on at dusk and off at dawn automatically.

Turn off the power at fuse or circuit box.

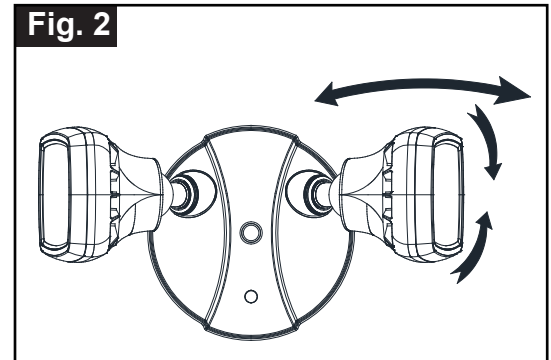
1. The mounting bracket is pre-assembled on the light fixture, unscrew the decorative cover, fixture mounting screw and remove the mounting bracket.

 **VAXCEL**

2. Install the mounting strap with the stamped word "FRONT" facing away from the outlet box, using two mounting screws that best fit the outlet box.
3. Pull out the source wires from the outlet box. Make wire connections using wire nuts as follows:
 - Connect the black wire from the fixture to the black wire from the power source.
 - Connect the white wire from the fixture to the white wire from the power source.
 - Connect the grounding wire from the fixture to the grounding wire from the power source. (usually green / yellow insulation)
 Carefully tuck the wires back into the outlet box.



4. Place mounting bracket against the outlet box, insert the mounting bracket screw through the mounting bracket hole, thread mounting bracket screw into the center hole of the mounting strap. Tighten the mounting bracket screw securely.
 - ▲ When mounting to a wall, the "UP" arrow must point upward. (See Fig. 1)
 - ▲ When mounting to an eave, the "UP" arrow must point toward the building.



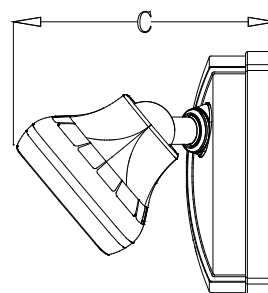
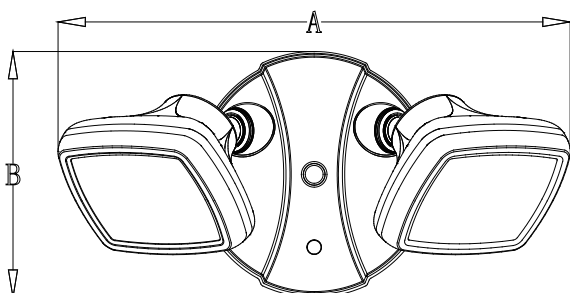
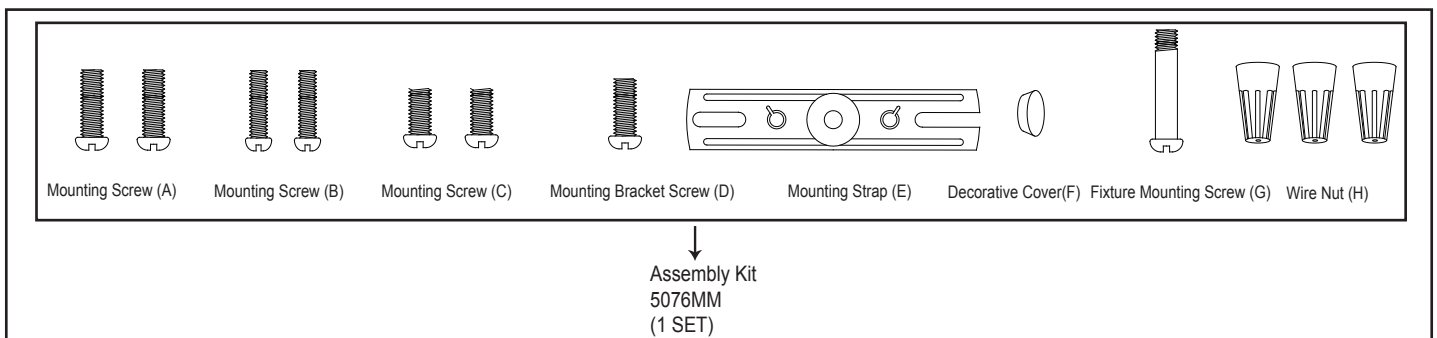
5. Attach the back plate of the light fixture to the mounting bracket, secure it with the fixture mounting screw.
6. Push the decorative cover firmly into the fixture mounting screw hole on the light fixture.
7. With silicone caulking compound, caulk completely around where the mounting bracket meets the wall surface.

CAUTION: Be sure to caulk completely where the mounting bracket meets the wall surface to prevent water from seeping into the outlet box.
8. Gently grasp the light heads and move them up or down, left or right to adjust the light coverage area. (See Fig. 2)
9. Keep the light heads 30° below horizontal to avoid water damage and electrical shock.

Turn on the power at the main fuse or circuit breaker box.

Note: When power is first applied, the light will turn on immediately. Wait for 15 seconds to allow the sensor to warm up.

The following parts are available for re-order if damaged or missing.



A: 9-3/8"
B: 5-1/4"
C: 5-1/4"

