

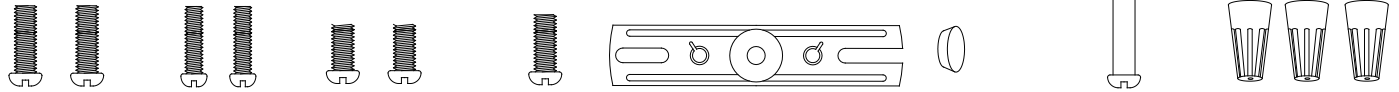
ASSEMBLY AND INSTALLATION INSTRUCTIONS

T0099 / T0100

WARNING: TO AVOID RISK OF ELECTRICAL SHOCK, BE SURE TO SHUT OFF POWER WHILE INSTALLING OR SERVICING THIS FIXTURE.

NOTES: 1. Before installing, consult local electrical codes for wiring and grounding requirements.
2. READ AND SAVE THESE INSTRUCTIONS.

Hardware Package (included):



Mounting Screw (A) Mounting Screw (B) Mounting Screw (C) Mounting Bracket Screw (D) Mounting Strap (E) Decorative cover (F) Fixture Mounting Screw (G) Wire Nut (H)

Important to Know:

1. If you are not familiar with state and local electrical codes, it is recommended that you consult with a qualified electrician.
2. This fixture requires a 120 VAC, 60 Hz power source.
3. For general safety and to avoid any possible damage to the sensor, be sure the power is switched "off" before adjustment.

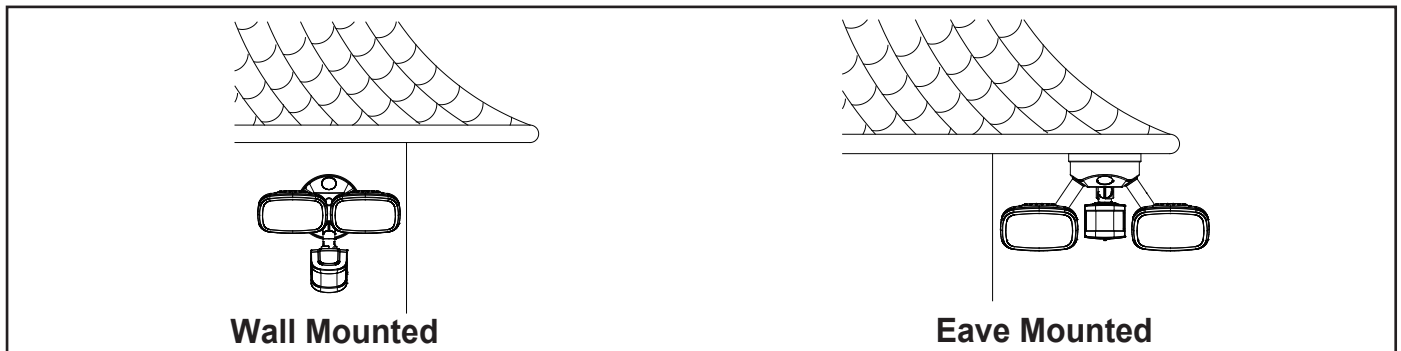
Maximum Wattage: 25.5 W

Working Temperature Range: -4°F ~ 113°F

Features:

1. Energy saving LED fixture.
2. Motion sensor: turns light ON automatically when motion is detected and turns light OFF automatically when motion stops.
3. Photocell keeps the light OFF during daylight hours.
4. When in manual override mode, use wall switch to keep the light ON during the night.

Note: Fixture can be wall mounted or eave mounted.



Wall Mounted

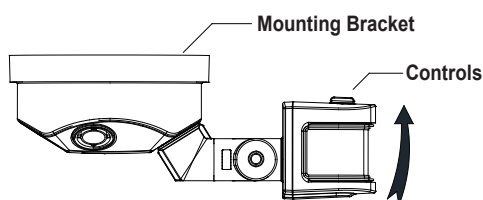
Eave Mounted

Light fixture and sensor should be mounted as shown above when installed (depending upon type of installation)

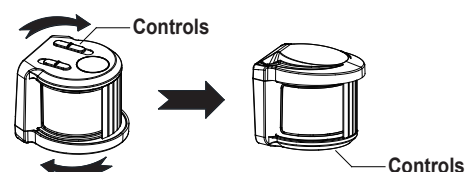
Before installing the light fixture under an eave, the sensor head must be rotated as shown in the next two steps for proper operation and to avoid the risk of electrical shock.

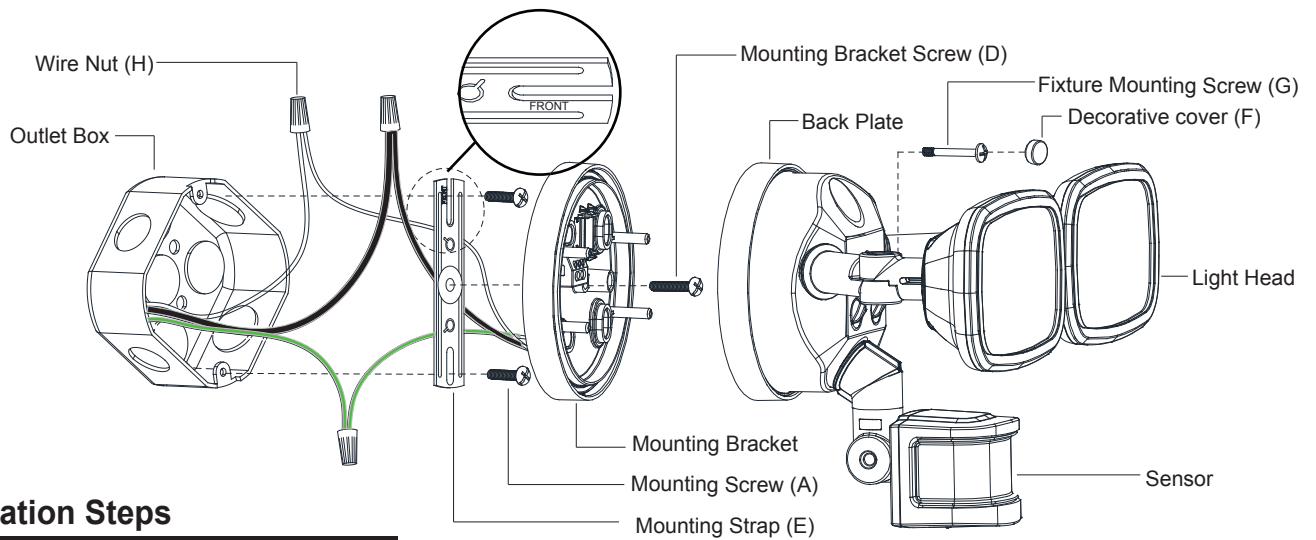
For eave mounted only:

- Swing the sensor head towards the mounting bracket.



- Rotate the sensor head clockwise 180° so the controls face down.



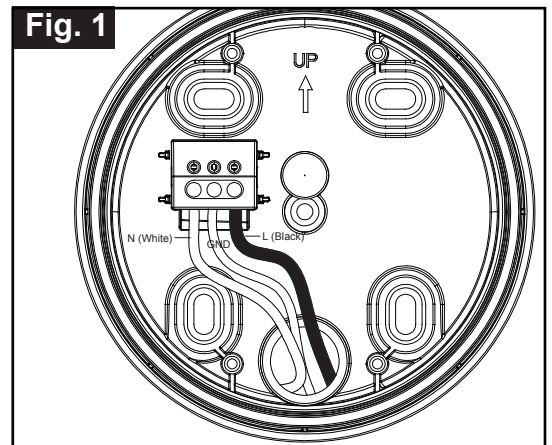


Installation Steps

Turn off the power at fuse or circuit box.

1. The fixture mounting bracket is pre-assembled on the light fixture. Unscrew both the decorative cover and the fixture mounting screw in order to remove the mounting bracket.
2. Install the mounting strap to the outlet box with the stamped word "FRONT" facing away from the outlet box, using two mounting screws that best fit the outlet box.
3. Pull out the source wires from the outlet box. Make wire connections using wire nuts as follows:
 - Connect the black wire from the fixture to the black wire from the power source.
 - Connect the white wire from the fixture to the white wire from the power source.
 - Connect the grounding wire from the fixture to the grounding wire from the power source. (usually green / yellow insulation)
 Carefully tuck the wires back into the outlet box.
4. Place mounting bracket against the outlet box, insert the mounting bracket screw through the mounting bracket hole, thread mounting bracket screw into the center hole of the mounting strap. Tighten the mounting bracket screw securely.
 - ▲ When mounting to a wall, the "UP" arrow must point upward. (See Fig. 1)
 - ▲ When mounting to an eave, the "UP" arrow must point toward the building.
5. Attach the back plate of the light fixture to the mounting bracket, secure it with the fixture mounting screw.
6. Push the decorative cover firmly into the fixture mounting screw hole on the light fixture.
7. With silicone caulking compound, caulk completely around where the mounting bracket meets the wall surface.

CAUTION: Be sure to caulk completely where the mounting bracket meets the wall surface to prevent water from seeping into the outlet box.



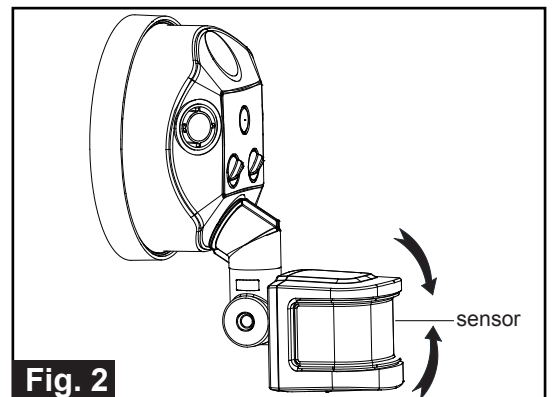
Turn on the power at the main fuse or circuit breaker box.

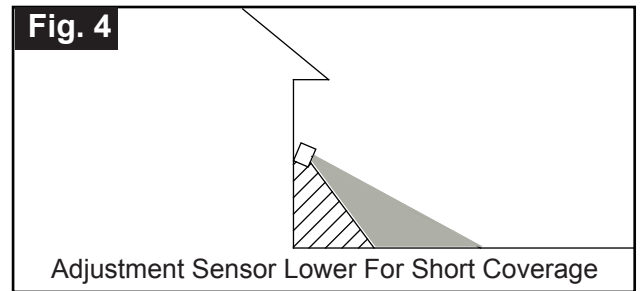
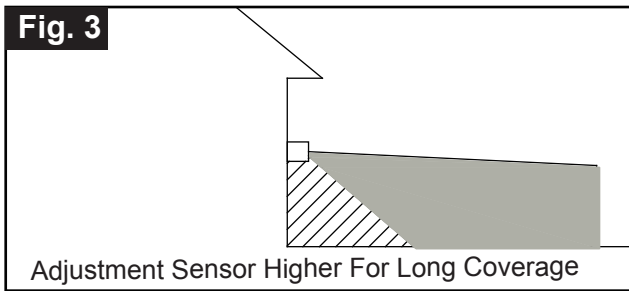
Adjusting the Sensor Head:

1. Aim sensor head toward desired detection area, maintaining a 5° - 40° downward angle to allow moisture to drain.

Note: Make sure sensor head is positioned with control knob facing towards the ground.
2. You can move the sensor head up and down to change the coverage area. (See Fig. 2) Walk through the detection zone at the farthest distance you wish to detect motion.

Note: Range set too high may increase false triggering.
(See Fig. 3 and Fig. 4 on Page 3)



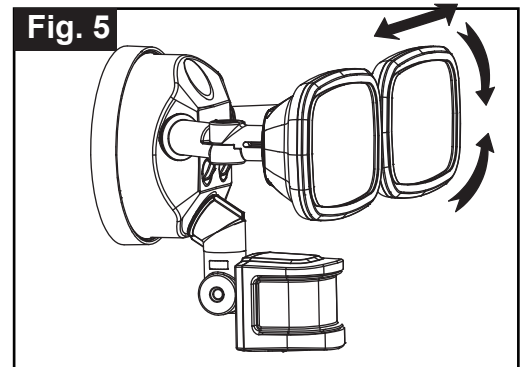


Sensitivity of Motion Sensor

- You can adjust the sensitivity of the motion sensor by using the “SENSITIVITY” selector located on the right side of the bottom surface of the sensor. (See Fig. 6)
- Adjust motion sensor sensitivity to HIGH (H), MEDIUM (M), or LOW (L) to achieve desired performance.
- Approximate range for each setting: 20 ft. (L), 45 ft. (M), 70 ft. (H).

Adjusting the Light Head:

1. Gently grasp the light heads and move them up or down, left or right to adjust the light coverage area. Keep the light heads at least 1” (25mm) away from the sensor. (See Fig. 5)
2. Keep the light heads 30° below horizontal to avoid water damage and electrical shock.



Function and Operation

Note: When power is first applied, the light will turn on to 100% brightness. The sensor will take 30 seconds to warm up.

1. AUTO MODE (nighttime operation only)

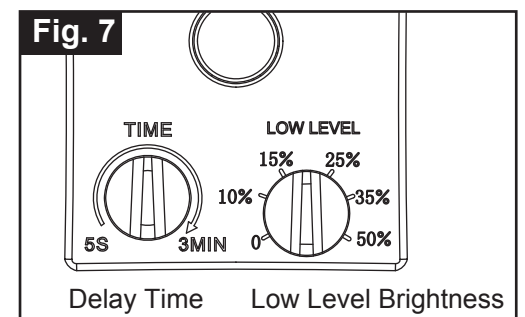
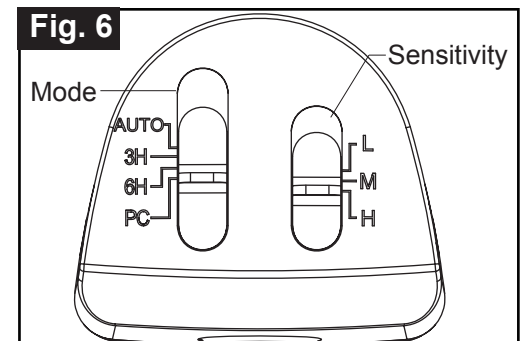
- After expiration of the warm-up period, the light will enter a 5-minute TEST mode (day and night operation) and be on at low-level brightness (0-50%). The light will turn to high-level brightness (100%) when motion is detected. It will then revert to low-level brightness about 5 seconds after motion is no longer detected.
- After expiration of the TEST mode, the light will automatically enter AUTO mode and be on at low-level brightness (0-50%). The light will turn to high-level brightness (100%) when motion is detected. When the motion stops, the light will then revert to low-level brightness after the shut-off delay time you set (5 ~ 180 seconds).
- The light will turn off automatically at dawn.

Note: You can adjust the low level brightness (0~50%) by using the low level brightness knob. (See Fig. 7)

2. 3 HOURS (3H) MODE (nighttime operation only)

- The light will turn to high-level brightness (100%) at dusk, and will stay "ON" for 3 hours. The light will then turn to low-level brightness. The light will turn to high-level brightness (100%) when motion is detected, and will stay on as long as motion continues. When motion is no longer detected, the lights will remain on for the predetermined shut-off delay time you set (5~180 seconds), and then turn to the predetermined low-level brightness automatically.
- The light will turn off automatically at dawn.

Note: You can adjust the low level brightness (0~50%) by using the low level brightness knob. (See Fig. 7)



3. 6 HOURS (6H) MODE (nighttime operation only)

- The light will turn to high-level brightness (100%) at dusk, and will stay "ON" for 6 hours. The light will then turn to low-level brightness. The light will turn to high-level brightness (100%) when motion is detected, and will stay on as long as motion continues. When motion is no longer detected, the lights will remain on for the predetermined shut-off delay time you set (5~180 seconds), and then turn to the predetermined low-level brightness automatically.
- The light will turn off automatically at dawn.

Note: You can adjust the low level brightness (0~50%) by using the low level brightness knob. (See Fig. 7)

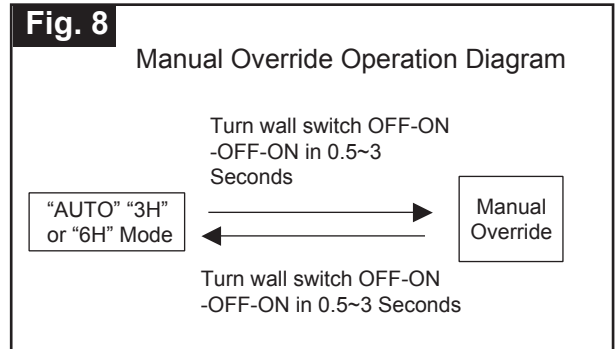
4. PHOTOCELL (PC) MODE (nighttime operation only)

- The light will brighten at dusk. It will turn off at dawn.

5. Manual Override (nighttime operation only)

- To shift to the manual override mode, set the mode selector to "AUTO", "3H" or "6H" mode. Turn the wall switch "OFF", and turn it "ON" twice within 3 seconds. The light will remain on all night long. To shift back to "AUTO", "3H" or "6H" mode, turn the wall switch "OFF", and turn it "ON" twice within 3 seconds again.
- The light will turn off automatically at dawn.

Note: To make sure the above functions operate properly, always keep the wall switch in the "ON" position (including the daytime).



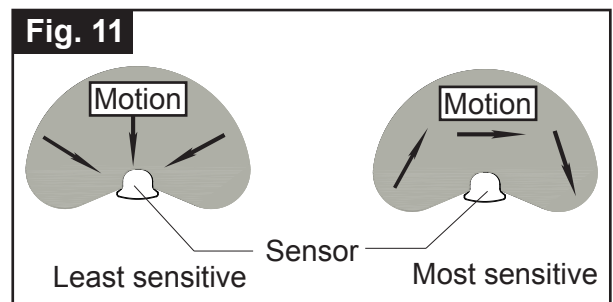
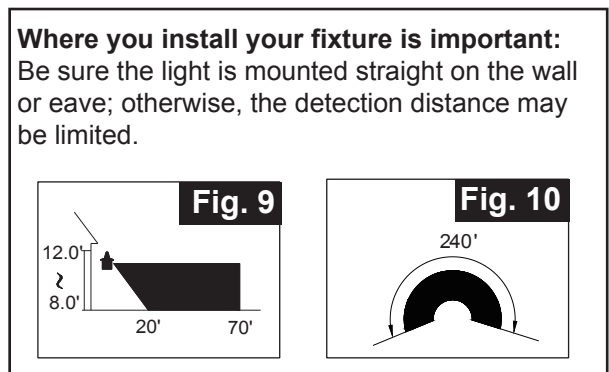
Customization Options:

Shut-off Delay

- The shut-off delay is the length of time the light will stay at brightness after motion has ceased to be detected.
- You can set the shut-off delay by rotating the delay time knob arrow so it points to the desired time setting within "TIME" range. To increase the shut-off delay, turn the knob clockwise. To decrease the shut-off delay, turn the knob counterclockwise.

Notes:

1. The sensitivity of the motion sensor will increase as the environmental temperature gets cooler. You may wish to make adjustments when the season changes. For best performance, gently clean the lens with a soft cloth every 1 or 2 months to assure maximum sensitivity.
2. For best performance, install fixture at least 8 feet above the ground. At such a height, the fixture will provide a detection distance of up to 70 feet at 77 degrees Fahrenheit. (See Fig.9)
3. The sensor detects movement across a detection range of 240 degrees. (See Fig.10)
4. The sensor will be more sensitive to motion across its detection path than motion directly towards it. (See Fig.11)
5. To reduce possible nuisances, do not mount the fixture near a heat source like an air conditioner, vent or furnace exhaust, or in a direction facing any reflecting object or other light source.



Troubleshooting

---The light does not come on at all:

1. Make sure the wall switch and circuit breaker are on.
2. Make sure the wiring is correct.
3. Cover the sensor with dark color cloth to verify that the ambient light level is not too high.

---In TEST mode, the light stays on over 5 seconds after motion is no longer detected:

1. Cover the sensor with a dark color cloth to verify that motion is not detected.
2. The TEST mode may have expired. If you want to reactivate the TEST mode, reboot the power

---In AUTO Mode, the light stays on during the day:

1. The light may be in TEST mode. Stay out of the detection range for 5 minutes, which will allow conversion to AUTO mode.

---In 3H or 6H Mode, the light is still on full brightness, even though it has been 3 hours or 6 hours after dusk:

1. Make sure there has not been an interruption in the electrical power, i.e. the wall switch has not been switched off and turned back on at some point or the circuit breaker had not shut down.

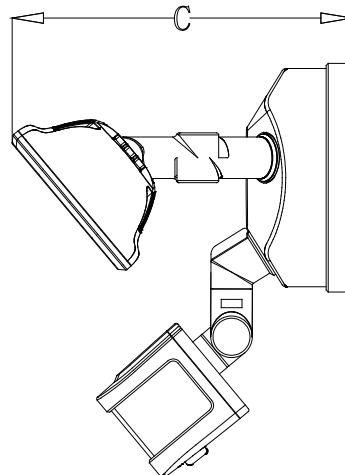
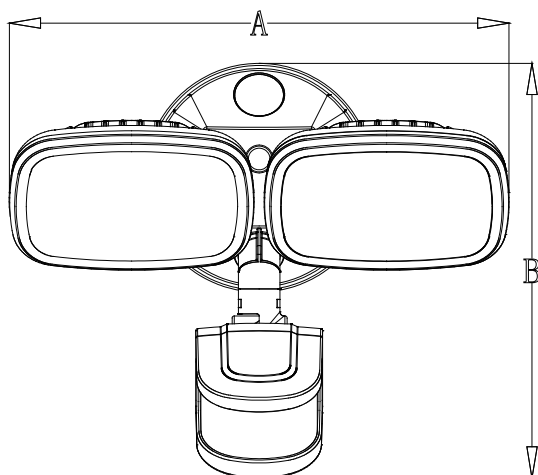
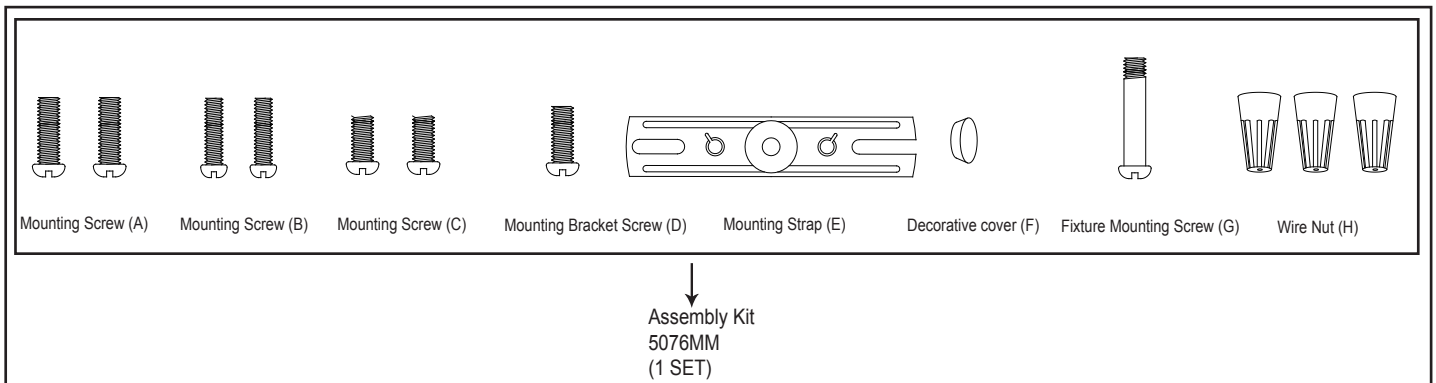
---After performing 3H or 6H Mode, the light stays on full brightness after 3 minutes:

1. Make sure there is no movement that could be picked up by the sensor.
2. Adjust the delay time knob counterclockwise to reduce the delay shut-off time.

---In Manual override, the light stays on after dawn:

1. The ambient light level may be too low due to overcast skies.

The following parts are available for re-order if damaged or missing.



A: 10-1/8"

B: 6-1/2"

C: 6"