

ASSEMBLY AND INSTALLATION INSTRUCTIONS

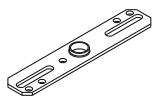
C0085

WARNING: TO AVOID RISK OF ELECTRICAL SHOCK, BE SURE TO SHUT OFF POWER WHILE INSTALLING OR SERVICING THIS FIXTURE.

NOTES: 1. Before installing, consult local electrical codes for wiring and grounding requirements.
2. READ AND SAVE THESE INSTRUCTIONS.

Warning: LED electronics can be damaged by electro static discharge (ESD) shock. Before installation, discharge yourself by touching a grounded bare metal surface to remove this hazard. To avoid damage, do not touch the LED module.

Hardware Package (included):



Mounting Strap (A)



Mounting Screw (B)



Green Grounding Screw (C)



Wire Nut (D)



Long Screw (E)



Lock Nut (F)

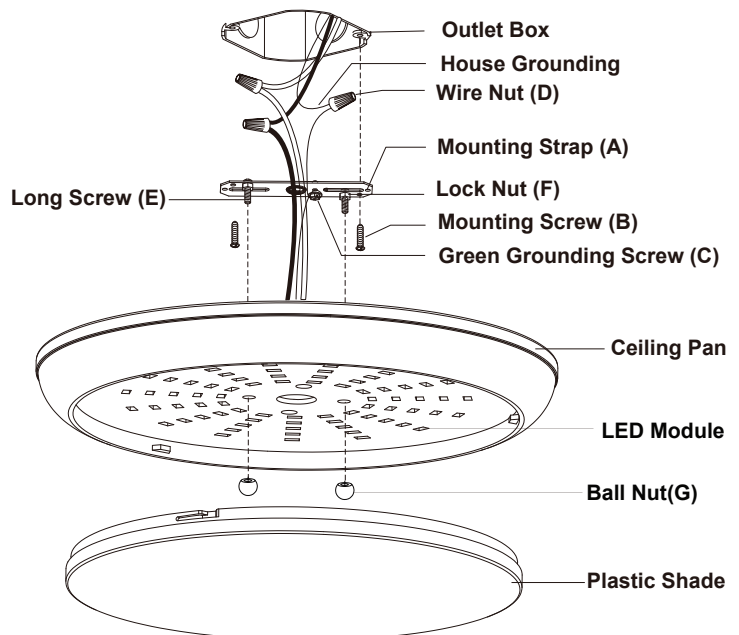


Ball Nut (G)

Installation Steps

Turn off the power at fuse or circuit box.

1. Remove the plastic shade from the ceiling pan.
2. Attach the mounting strap to the outlet box by using two mounting screws.
3. Pull out the source wires from the outlet box. Make wire connections using wire nuts as follows:
 - Connect the hot wire (usually black insulation) from the fixture to the black wire from the power source.
 - Connect the neutral wire (usually white insulation) from the fixture to the white wire from the power source.
 - Attach the fixture grounding wire (usually green insulation or bare wire) to the mounting strap with the green grounding screw. Then connect it to the house grounding wire with the wire nut.Carefully put the wires back into the outlet box.



4. Attach the ceiling pan to the mounting strap by inserting two long screw into the holes, then tighten the ceiling pan by screwing the ball nuts into the long screw.
Caution: To prevent electrostatic discharge (ESD) damage to the module electronics, do not touch the LED module on the ceiling pan.
5. Attach the plastic shade back to the ceiling pan, rotate the plastic shade clockwise until it is locked in place.

Turn on the power at fuse or circuit box.

This fixture is dimmable with a forward phase electronic dimmer. Dimmers tested to be compatible with this fixture are the Lutron: S-603PG, DVCL-153P, TGCL-153P.
 If you are unfamiliar with electrical installations, it is recommended you have a qualified electrician for your installations.

The following parts are available for re-order if damaged or missing.

Spare Parts List:

Mounting Strap (A) Green Grounding Screw (C) Long Screw(E) Ball Nut(G)

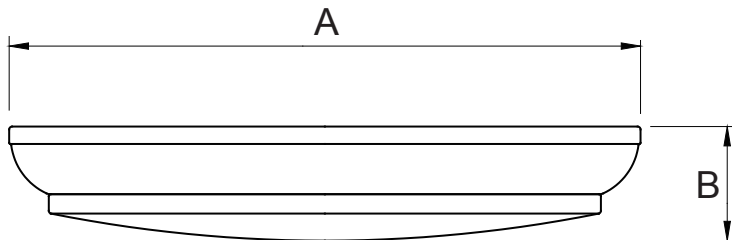
Mounting Screw (B) Wire Nut (D) Lock Nut (F)

Assembly Kit
5136MM
(1 SET)

Plastic Shade
9634PS
(1 PC)

5-YEAR LIMITED WARRANTY:

All products are warranted to be free of defects in material and workmanship for five (5) years from date of purchase. This warranty is limited to the correction of any such defect, or the replacement of any such defective item(s), provided that: (a) we are properly notified and consent to return of the item(s) in question;(b) the item (s) is / are returned with proof of purchase date; and (c) it is found upon inspection by us that the item (s) is / are defective as noted above. This warranty dose not cover labor costs, consequential damages, nor dose it apply to any item(s) that have been improperly installed, overloaded, altered, or otherwise abused by the customer, its agent(s) or emplyee(s). Finishes are specially excluded from the terms of this warranty since they are subject to environmental maintenance deemed beyond our control. Other than the described obligation, we assume no further liability with respect to the sale or use of our products.We make no warranty, express or implied, and disclaim any warranty of merchantability or fitness for a particular purpose.



A: 14-3/4"

B: 2-1/4"