

# ASSEMBLY AND INSTALLATION INSTRUCTIONS

W0140 / W0141

**WARNING:** TO AVOID RISK OF ELECTRICAL SHOCK, BE SURE TO SHUT OFF POWER WHILE INSTALLING OR SERVICING THIS FIXTURE.

NOTES: 1. Before installing, consult local electrical codes for wiring and grounding requirements.  
2. READ AND SAVE THESE INSTRUCTIONS.

## Hardware Package (included):



Mounting Strap(A)



Mounting Screw (B)



Green Grounding Screw (C)



Threaded pipe (D)



Washer (E)



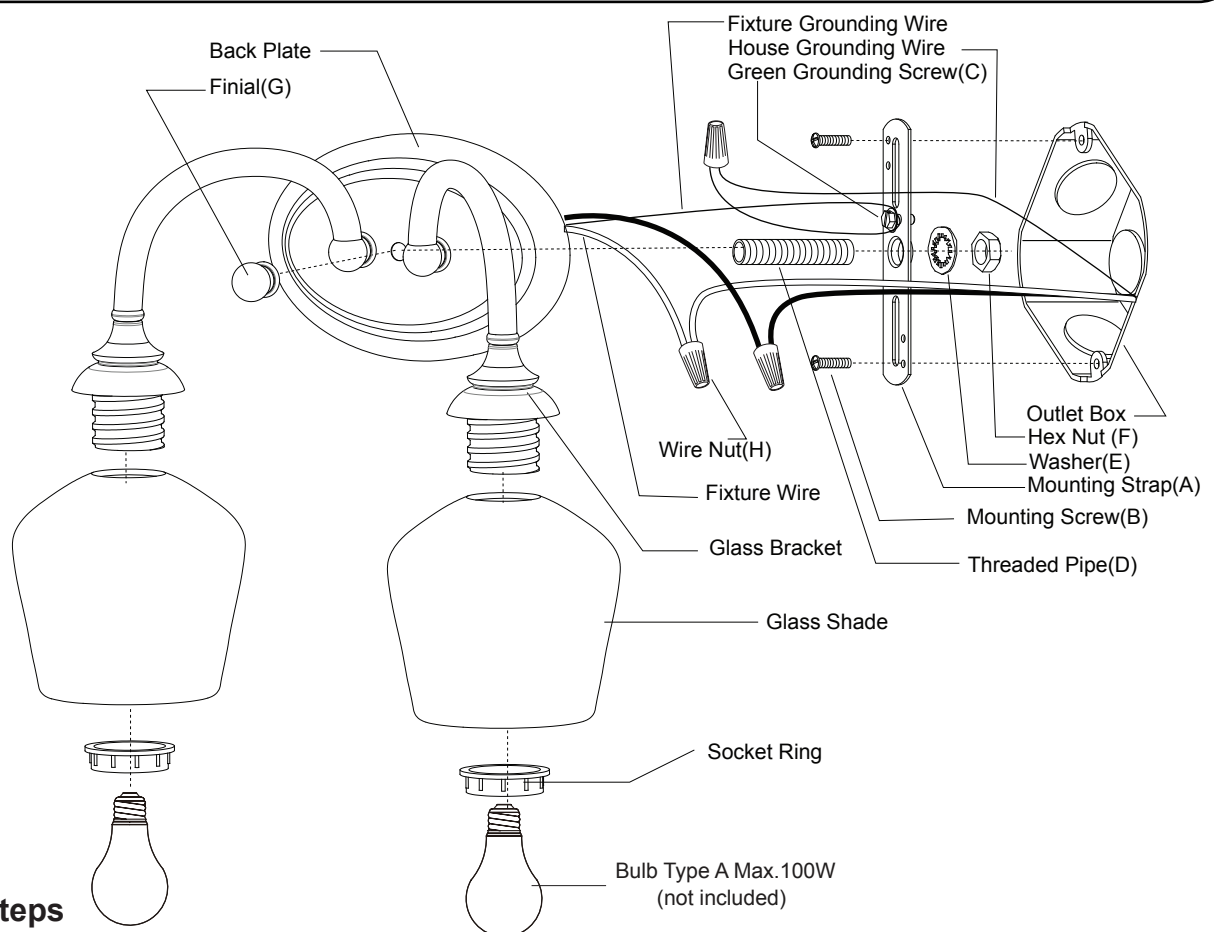
Hex Nut (F)



Finial (G)



Wire Nut (H)



## Installation Steps

Turn off the power at fuse or circuit box.

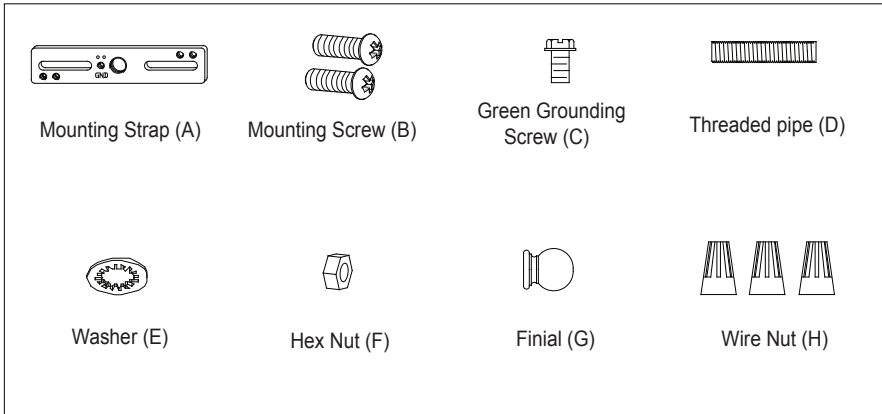
1. Attach the threaded pipe to the mounting strap, then secure it with a washer and a hex nut.
2. Attach the mounting strap to the outlet box by using two mounting screws.
3. Pull out the source wires from the outlet box. Make wire connections using wire nuts as follow:
  - Connect the hot wire (usually black insulation) from the fixture to the black wire from the power source.
  - Connect the neutral wire (usually white insulation) from the fixture to the white wire from the power source.
  - Attach the fixture grounding wire (usually green insulation or bare wire) to the mounting strap with the green grounding screw. Then connect it to the house grounding wire with the wire nut.Carefully put the wires back into the outlet box.

4. Attach the back plate to the mounting strap by inserting the threaded pipe, then secure it with the finial.
5. Attach the glass shades to the glass brackets, secure them with socket rings.
6. Install bulbs (not included). See relamping label at socket area or packaging for maximum allowed wattage.

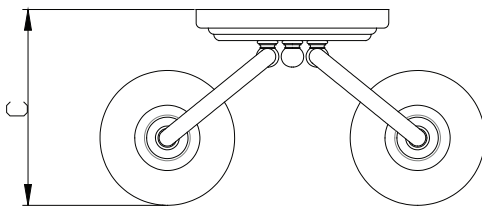
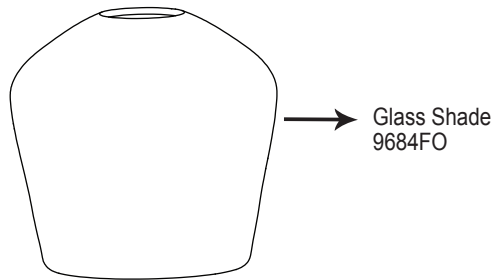
**Turn on the power at fuse or circuit box.**

The following parts are available for re-order if damaged or missing.

**Spare Parts List:**



→ Mounting Hardware  
5249MM for W0140  
5250MM for W0141



A: 14-3/4"

B: 8-7/8"

C: 7-3/8"

