

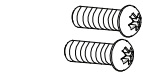
ASSEMBLY AND INSTALLATION INSTRUCTIONS

W0132 / W0133

WARNING: TO AVOID RISK OF ELECTRICAL SHOCK, BE SURE TO SHUT OFF POWER WHILE INSTALLING OR SERVICING THIS FIXTURE.

NOTES: 1. Before installing, consult local electrical codes for wiring and grounding requirements.
2. READ AND SAVE THESE INSTRUCTIONS.

Hardware Package (included):



Mounting Screw (A)



Green Grounding Screw (B)



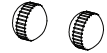
Wire Nut (C)



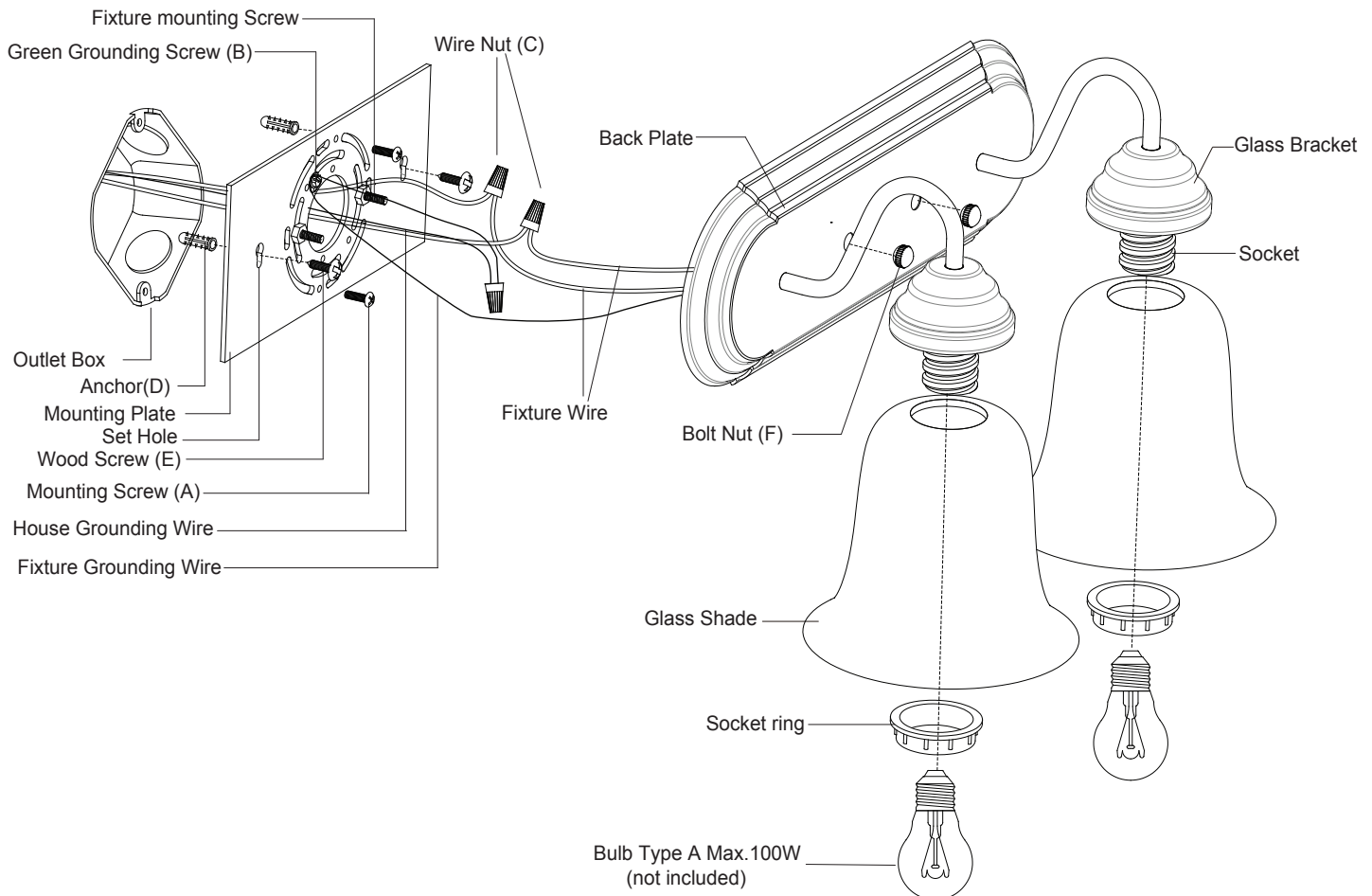
Anchor (D)



Wood Screw (E)



Bolt Nut (F)



Installation Steps

Turn off the power at fuse or circuit box.

1. Remove the mounting plate from back plate by unscrewing two bolt nuts.
2. Fix the mounting plate to the wall.
 - a) For wooden material:
Attach the mounting plate to the outlet box by using two mounting screws, and then secure the wood screws through the set holes to the wall.

b) For cement material:

Place the mounting plate to the outlet box and mark the target on the wall from the set hole for drilling two holes. Remove the mounting plate from the outlet box. Thread the anchors into the holes, then attach the mounting plate to the outlet box by using two mounting screws. Secure the wood screws through the set holes into the anchors.

3. Pull out the source wires from the outlet box. Make wire connections using wire nuts as follow:

---Connect the hot wire (usually black insulation) from the fixture to the black wire from the power source.

---Connect the neutral wire (usually white insulation) from the fixture to the white wire from the power source.

---Attach the fixture grounding wire (usually green insulation or bare wire) to the mounting plate with the green grounding screw. Then connect it to the house grounding wire with the wire nut.

Carefully put the wires back into the outlet box.

4. Attach the back plate to the mounting plate by inserting fixture mounting screws, then secure it with two bolt nuts.

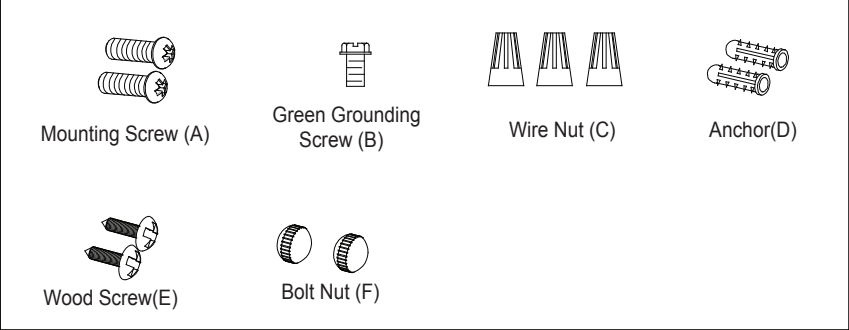
5. Attach the glass shades to the glass brackets, secure them with socket rings.

6. Install bulbs (not included). See relamping label at socket area or packaging for maximum allowed wattage.

Turn on the power at fuse or circuit box.

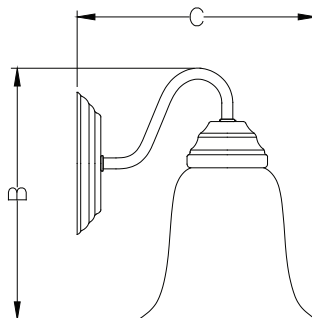
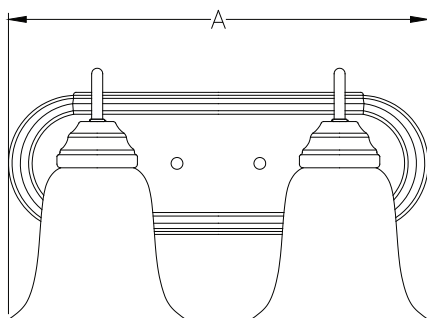
The following parts are available for re-order if damaged or missing.

Spare Parts List:



→ Assembly Kit
5268MM (1 SET) for W0132
5269MM (1 SET) for W0133

→ Glass Shade
9694EW(2PCS)



A: 14-1/4"

B: 8-1/2"

C: 8-1/2"