

ASSEMBLY AND INSTALLATION INSTRUCTIONS

T0091

WARNING: Turn off the main power at circuit breaker before installing fixture.
AVERTISSEMENT: Coupez la source d'alimentation principale au panneau central de disjoncteurs avant d'installer le luminaire.

NOTE: 1. Before installing, consult local electrical codes for wiring and grounding requirements.
 2. Read and save these instructions.

Important to Know

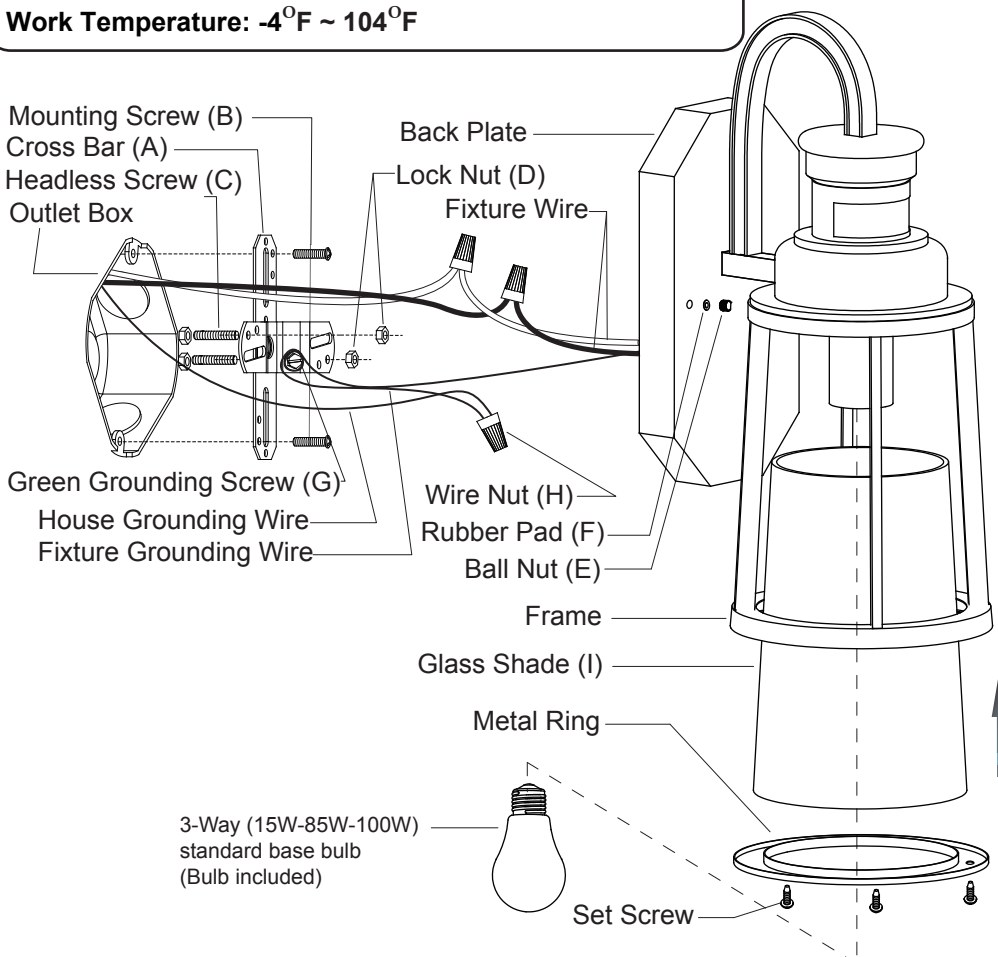
1. Read all instructions carefully before installation and operation.
2. If you are not familiar with state and local electrical codes, it is recommended that you consult with a qualified electrician.
3. Before installation, shut off power at the main fuse or circuit breaker box. Be aware that simply turning off the wall switch is not sufficient to prevent an electrical shock.
4. This fixture requires a 120 VAC, 60 Hz power source.
5. Do not attempt to take the lantern apart; there are no serviceable parts inside.
6. To avoid sensor damage by lightning or electrical surge, make sure the grounding wire is securely connected.
7. For general safety and to avoid any possible damage to the sensor, be sure the power is switched "off" before replacing the bulb.
8. Dimmable bulb is not available for this fixture.

Maximum Wattage: 100W Incandescent bulb / 32W LED bulb / 28W CFL bulb

Work Temperature: -4°F ~ 104°F

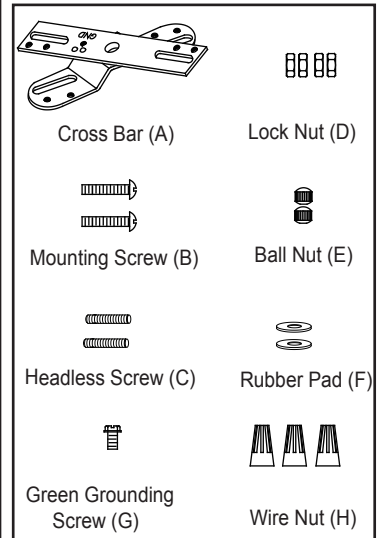
Features

1. Use the dim-to-bright illumination option where you want some minimum illumination through out the night, such as at your front entrance or garage door. Use the dark-to-bright illumination option where you do not need minimum brightness, such as the backyard or back porch.
2. Your light comes with a 3-way 15-85-100W bulb. Achieve true energy savings using dim illumination using 3-way bulbs, instead of energy consuming dimmers. For best performance, use the bulb included or other incandescent, CFL, LED or halogen 3-way bulbs. For conventional motion sensor, without dim ambient illumination, use regular incandescent, CFL, LED or halogen bulb.

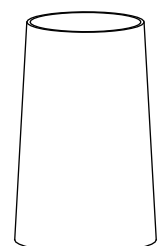


Parts:

Parts Number (5019MM)



Parts Number (9581CS)



Glass Shade (I)

VAXCEL

140310

Installation Steps

1. Shut off power at the circuit breaker of where the fixture is to be installed.
2. Thread two headless screws through the cross bar, then secure them with four lock nuts (two on each side of the cross bar). Adjust the length of the headless screws if necessary.
Note: Make sure that the headless screws are lined up horizontally, in order to ensure that the fixture will be level.
3. Attach the cross bar to the outlet box by using two mounting screws.
4. Take glass shade and gently slide it into the frame in place, then attach the metal ring onto the frame by aligning holes, secure the set screws from the bottom holes of the metal ring into the holes in the bottom of the frame.
5. Pull out the outlet wires and the house grounding wire from the outlet box. Make wire connections by using the wire nuts:
 - Connect the black (hot) wire from the fixture to the black (hot) wire from the power source.
 - Connect the white (neutral) wire from the fixture to the white (neutral) wire from the power source.
 - Attach the fixture grounding wire to the cross bar with the green grounding screw. Then connect it to the house grounding wire with a wire nut.Carefully put the wires back into the outlet box.
6. Attach fixture to the wall by aligning headless screws on cross bar with holes on back plate. Slide headless screws through holes, secure them with two rubber pads and ball nuts.
7. With silicone caulking compound, caulk completely around where the back plate meets with the wall surface.
Note: Be sure to caulk completely where the back plate meets the wall surface to prevent water from seeping into the outlet box.
8. Install a maximum 100 watt medium base bulb.
 - Install a 3-way bulb (15W-85W-100W 3-way incandescent bulb included) to have dim ambient illumination from dusk to dawn. Light will turn to full brightness when motion is detected.
 - Install a regular bulb (not included). The light will be off from dusk to dawn, unless motion is detected. When motion is detected, the light will turn to full brightness.
9. Turn on the power at the main fuse or circuit breaker box.

Function and Operation

MODES OF OPERATION

Choose a mode by sliding the switch on the bottom of the back plate of the fixture. (See FIG.2 on page 3)

1. TEST MODE (daytime and nighttime operation)
 - Function with 3-Way Bulb:
 - The light will turn to low level brightness when the switch located on “test” position. The light turns to full power when motion is detected. The light will revert to low level brightness about 5 seconds after motion is no longer detected.
 - Function with Regular Bulb:
 - The light will turn off when the switch located on “test” position. The light turns to full brightness when motion is detected. About 5 seconds after motion is no longer detected, the light will turn off automatically.
2. 3 MODE (nighttime operation only)
 - Function with 3-Way Bulb:
 - The light will turn to full brightness at dusk. The light will turn to a low level brightness after 3 hours. The light turns to full brightness when motion is detected. When motion is no longer detected, the light will remain on for the predetermined time you set (5~180 seconds), and then revert to low level brightness.
 - Light will turn off automatically at dawn.
 - Function with Regular Bulb:
 - The light will turn on at dusk. Light will turn off automatically after 3 hours. The light turns on when motion is detected. When motion is no longer detected, the light will remain on for the predetermined time you set (5~180 seconds), and then turn off automatically.
 - Light will turn off automatically at dawn.

3. 6 MODE (nighttime operation only)

- Function with 3-Way Bulb:

- The light will turn to full brightness at dusk. The light will turn to a low level brightness after 6 hours. The light turns to full brightness when motion is detected. When motion is no longer detected, the light will remain on for the predetermined time you set (5~180 seconds), and then revert to low level brightness.
- Light will turn off automatically at dawn.

- Function with Regular Bulb:

- The light will turn on at dusk. Light will turn off automatically after 6 hours. The light turns on when motion is detected. When motion is no longer detected, the lights will remain on for the predetermined time you set (5~180 seconds), and then turn off automatically.
- Light will turn off automatically at dawn.

4. 0 MODE (nighttime operation only)

- Function with 3-Way Bulb:

- The light will turn to low level brightness at dusk. The light turns to full brightness when motion is detected. When motion is no longer detected, the light will remain on for the predetermined time you set (5~180 seconds), and then revert to low level brightness.
- Light will turn off automatically at dawn.

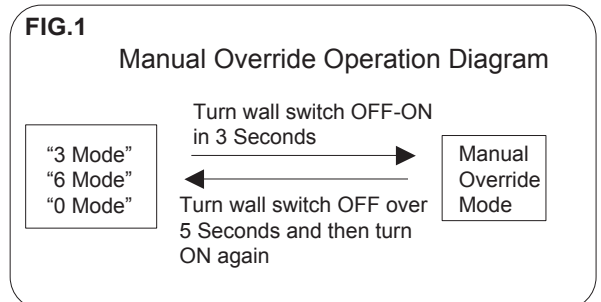
- Function with Regular Bulb:

- The light will turn off at dusk. The light turns on when motion is detected. When motion is no longer detected, the light will remain on for the predetermined time you set (5~180 seconds), and then turn off automatically.
- Light will turn off automatically at dawn.

5. Manual Override MODE (nighttime operation only; on at dusk, off at dawn)

- Function with Regular or 3-Way Bulb:

- When the knob located on the 3, 6 or 0 position, by switching off the wall switch in 3 seconds and then switching it on again, the light will turn to high level brightness at dusk. Light will turn off automatically at dawn. To return to the previous settings, simply switch the power off over 5 seconds and then switch on again, wait for 60 seconds to allow the sensor to warm up. (See FIG.1)
- The lights will turn off automatically at dawn.



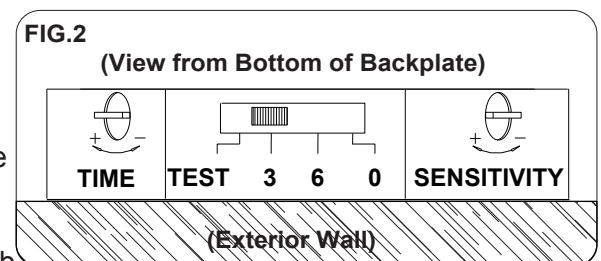
CUSTOMIZATION OPTIONS:

Shut-off Delay

The Shut-off delay is the length of time the light will stay at full brightness after motion has ceased to be detected. This Shut-off delay can be set when operation is in 3, 6 or 0 Mode by using the "TIME" knob located on the left side of the panel at the bottom of the back plate (See FIG. 2) . To increase the shut-off delay, turn the knob clockwise. To decrease shut off delay, turn the knob counterclockwise. The delay may be adjusted from a minimum of 5 seconds to a maximum of 3 minutes. The light will stay on as long as motion is detected continuously and will automatically turn off when no more motion is detected after the delay time has passed.

Sensitivity of Motion Sensor

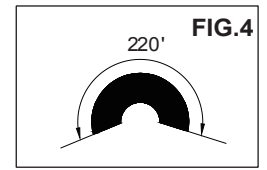
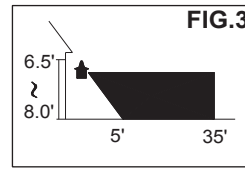
The sensitivity of the motion sensor can be adjusted by using the "SENSITIVITY" knob located on the right side of the panel at the bottom of the back plate (See FIG.2). To increase sensitivity, turn the knob clockwise. To decrease sensitivity, turn the knob counterclockwise. The sensitivity may be adjusted from a minimum of 5 feet to a maximum of 35 feet.



NOTE:

1. When power is first applied, the light will turn to full brightness immediately. Wait for 60 seconds to allow the sensor to warm up.
2. The sensitivity of the motion sensor will increase as the environmental temperature gets cooler. You may wish to make adjustments when the season changes temperature. For best performance, gently clean the lens with a soft cloth every 1 or 2 months to assure maximum sensitivity.
3. The magnitude of adjustment for sensitivity and time may not be precisely proportionate to the amount the knob is turned.
4. For best performance, install fixture at least 6-1/2 feet above the ground. At such a height, the lantern will provide a detection distance of up to 35 feet at 77 degrees Fahrenheit. (See FIG.3)
5. The sensor detects across a detection range of 220 degrees. (See FIG.4)
6. To reduce possible nuisances, do not mount the fixture near a heat source like an air conditioner, vent or furnace exhaust, or in a direction facing any reflecting object or other light.

Where you install your lantern is important:
 Be sure the light is mounted straight on the wall; otherwise, the detection distance may be limited.



Troubleshooting

---The light does not come on at all:

1. Make sure the wall switch and circuit breaker are on.
2. Make sure the wiring is correct.
3. Make sure the bulb is not burned out.
4. Cover the sensor with your palm to verify that the ambient light level is not too high.

----In Test Mode, the light stays on full brightness after 5 seconds:

1. Check whether the motion is detected at all time.

---After performing 3H or 6H Mode, the light stays on full brightness after 3 minutes:

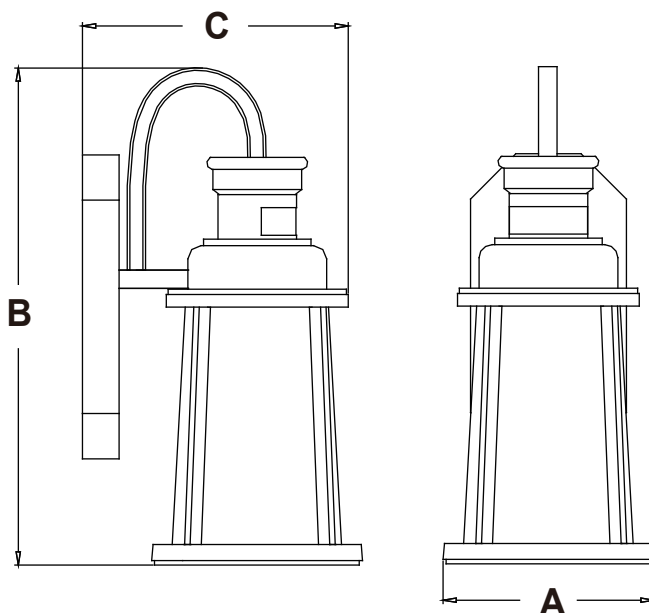
1. Make sure there is no movement that could be picked up by the sensor.
2. Adjust the time knob counterclockwise to reduce the delay shut-off time.

----In 3H or 6H Mode, the light turns off completely, instead of low level brightness, after 3 minutes:

1. Make sure the bulb you installed is a 3-Way medium base bulb.
2. Make sure the bulb is not burned out.

-- The light blinks:

1. Make sure the light is not mounted near a barbecue, air conditioner or other heat source.
2. Adjust the sensitivity knob counterclockwise to avoid unnecessary triggering like a passing car or reflecting objects.
3. Make sure the bulb is not dimmable bulb.



A: 6-1/4"
B: 15"
C: 8-1/4"